

Specifications

Indicating section

Input: 0.2 – 1.0 kg/cm²

Indication: Accuracy; ±0.5% FS
Repeatability; Within 0.2% FS
Dead band; Within 0.1% FS

Scale length: 85 mm

Set-point section

Set-point setting: Cascade (0.2 – 1.0 kg/cm² signal or signal from set-point transmitter.)

Accuracy; ±0.5% FS
Repeatability; Within 0.2% FS

Scale length: 85 mm

Manual control unit

Valve meter: Scale; 0 – 100% (20 even div.)
Accuracy; Within ±3.0% FS
Repeatability; Within 0.5% FS

Auto-Man. transfer: Balanceless-Bumpless

Output air capacity: 50 Nl/min.

Control unit

Output: 0.2 – 1.0 kg/cm²

Type of control: PI, PI (Batch control) and PID

Controller performance:

Proportional band (P); 5 – 50% or 50 – 500% transferable.
Integral (I); 0.02 – 50 min.
Derivative (D); 0.02 – 50 min.

Output air capacity: 50 Nl/min.

Air supply: 1.4 ±0.14 kg/cm²

Air consumption: 17 Nl/min. (Balanced state)

Operating condition: Temperature; 0 – 50 °C
Humidity; 10 – 90% RH

Mounting: Indoor panel mounting.

Mounting angle: Up to 75° case rear down from horizontal.

Net weight: Approx. 7.5 kg

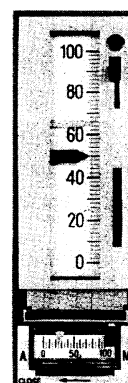
Color finish:

Bezel; Dark beige (Munsell 10YR 4.7/0.5)
Front mask; Light gray (Munsell N7)
Lower mask; Aluminic silver
Case; Dark beige (Munsell 10YR 4.7/0.5)

Connections: Air; PT ¼ (ISO R7 ¼") or NPT ¼ tap thread
Electric; M 3.5 mm screws

Dimension: 152.3 H x 50.7 W x 600 D (mm)

VUMATIK VERTICAL SCALE (FIXED SCALE) INDICATOR CONTROLLER CASCADE SET-POINT MODEL ; NUC 5



NUC 5

Options

Following options are available.

Item (1), (2) are the standard options.

(1) Lamp (1-set)

Number of lamp: 2-lamp (Can be divided into two sections.)

Rating: 24 V, 40 mA/lamp

(2) Monitor switch (With a lamp set)

Number of alarm: { PV 1pt.
PV 2 pts.
Deviation 1 pt.

Setting span: { 0 – 100% FS (PV monitor)
100 – 0 – 100% FS (Dev. monitor)

Remark; Minimum 10% FS clearance is required between the lowest value of Hi limit and the highest value of Lo limit.

Differential gap: Within 0.5% FS

Repeatability: Within 0.5% FS

Output contact rating: AC 250 V, 4 A

Item (3), (4) are the semi-standard options.

(3) Front mask semi-standard color (Y 100A, B, D, E)

(4) Make-up bottom unit (Y 120A, B)

With output gage (Y 120A),

Blind (Y 120B)

Model Number Table

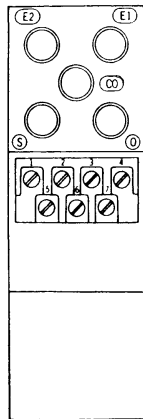
Basic Model No.	I	II	Description	
Key No.	Control Action	Selection		Option
NUC 5			Vertical Scale (Fixed Scale) Indicator Controller, Cascade Set-point	
	2		PI	
	3		PID	
	5		PI (Batch Control)	
		-X		No Selection
			-X	No Option
			-1	Lamp (1-set)
		-5	PV Monitor Switch, 1 point on 1 PV (with a lamp set)	
		-6	PV Monitor Switch, 2 points on 1 PV (with a lamp set)	
		-7	Deviation Monitor Switch (with a lamp set)	

Notes

- When ordering "Y" semi-standard options not specified on Model Number Table, please write as: NUC 52Y-X-X (Y□).
- Front mask semi-standard color

Part Y.No.	Bezel	Upper Mask	Lower Mask
Y100A	Dark beige (10YR 4.7/0.5)		
Y100B	Mist green (2.5 G 5/1.5)	Light gray (N 7)	Alumic silver
Y100D	Black (N 1.2)	Light gray (N 7)	Alumic silver
Y100E	Jade green (7.5 BG 4/1.5)	Light gray (N 7)	Alumic silver

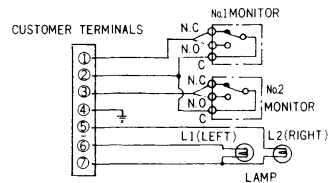
Connections



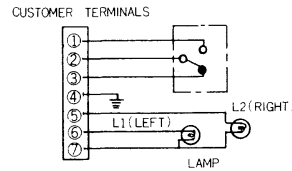
PNEUMATIC CONNECTIONS

S : SUPPLY
O : OUT
E1 : PV
E2 : Ex. SP

ELECTRIC CONNECTIONS

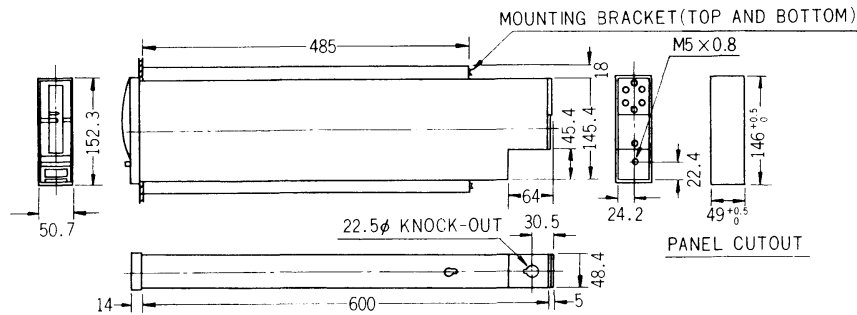


High and Low Monitor



High or Low Monitor

Dimensions



Ordering Information

When ordering, please specify:

- Model No.
- Scale range
- Options

* Specifications are subject to change without notice.
* Reference instruction manual . . . FPT5101