

# Yamatake-Honeywell

# SPECIFICATION

## Specifications

### Indicating section

Input: 0.2 ~ 1.0 kg/cm<sup>2</sup>

Deviation indication: Span; ±20% FS  
Accuracy; ±0.5% FS  
Repeatability; Within 0.2% FS  
Dead band; Within 0.1% FS

### Set-point section

Set-point setting: Local type (Internal SP transmitter)

Accuracy; ±0.5% FS

Repeatability; Within 0.2% FS

Scale length: 190 mm

Visible scale length: 85 mm

### Manual control unit

Valve meter: Scale; 0 ~ 100% (20 even div.)

Accuracy; ±3.0% FS

Repeatability; Within 0.5% FS

Auto-Man. transfer: Balanceless-Bumpless

Output air capacity: 50 Nl/min.

### Control unit

Output: 0.2 ~ 1.0 kg/cm<sup>2</sup>

Type of control: P (Semi-standard option), PI, PI (Batch control) and PID

### Controller performance:

Proportional band (P); 5 ~ 50 or 50 ~ 500% transferable.

Integral (I); 0.02 ~ 50 min.

Derivative (D); 0.02 ~ 50 min.

Output air capacity: 50 Nl/min.

Air supply: 1.4 ± 0.14 kg/cm<sup>2</sup>

Air consumption: 13 Nl/min. (Balanced state)

Operating condition: Temperature; 0 ~ 50°C  
Humidity; 10 ~ 90% RH

Mounting: Indoor panel mounting.

Mounting angle: Up to 75° case rear down from horizontal.

Net weight: Approx. 7.5 kg

### Color finish:

Bezel; Dark beige (Munsell 10YR 4.7/0.5)

Front mask; Light gray (Munsell N7)

Lower mask; Aluminic silver

Case; Dark beige (Munsell 10YR 4.7/0.5)

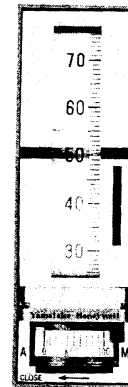
Connections: Air; PT ¼ (ISO R7 ¼") or NPT ¼ tap thread  
Electric; M 3.5 mm screws

Dimension: 152.3 H × 50.7 W × 600 D (mm)

## VUMATIK

## VERTICAL SCALE DEVIATION INDICATOR CONTROLLER MANUAL SET-POINT (LOCAL)

MODEL: NUL 0



NUL 0

## Options

Following options are available.

Item (1), (2) are the standard options.

### (1) Lamp set (1-set)

Number of lamp: 2-lamp (Can be divided into two sections.)

Rating: 24 V, 40 mA/1 lamp

### (2) Monitor switch (With a lamp set)

Number of alarm: { PV 1 pt. (High or low)  
PV 2 pts. (High and low on 1 input)  
Deviation 1 pt.

Span: { PV; 0 ~ 100% FS  
Deviation; 100 ~ 0 ~ 100% FS

Remark) Minimum 10% FS clearance is required between the lowest value of Hi limit and the highest value of Lo limit.

Differential gap: Within 0.5% FS

Repeatability: Within 0.3% FS

Output contact rating: AC 250V, 4A

Item (3) ~ (5) are the semi-standard options.

### (3) Front mask semi-standard color (Y 100A, B, D, E)

### (4) P-mode controller (Y 109A)

Proportional band; 5 ~ 50 or 50 ~ 500% transferable.

Manual reset; 0 ~ 100% (When SP=PV)

### (5) Make-up bottom unit (Y 120A, B)

With output gage (Y 120A)

Blind (Y 120B)

**Yamatake-Honeywell Co. Ltd.**

**Process Control Division**

**Sales Headquarters :** Nagai International Bldg., 12-19, Shibuya 2 chome, Shibuya-ku, Tokyo, 150 Japan

Tel : (03) 409-7171 Telex : J22902 Cable : YAMATAKE CO

### Model Number Table

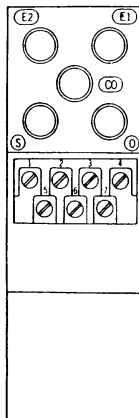
Basic Model No.	I	II	Description
Key No.	Control Action	Selection	
NUL 0			Vertical Scale Deviation Indicator Controller, Manual Set-point (Local)
	1Y		P (Semi-standard option Y 109A)
	2		PI
	3		PID
	5		PI (Batch Control)
		-X	No Selection
			No Option
		-X	Lamp set (1-set)
		-5	PV Monitor Switch, 1 point on 1 PV (with a lamp set)
		-6	PV Monitor Switch, 2 points on 1 PV (with a lamp set)
		-7	Deviation Monitor Switch (with a lamp set)

Note 1: When ordering "Y" semi-standard options not specified on Model Number Table, please write as: NUL 02-X-X (Y□).

2. Front mask semi-standard color

Part Y.No.	Bezel	Upper Mask	Lower Mask
Y100A	Dark beige (10YR 4.7/0.5)		
Y100B	Mist green (2.5 G 5/1.5)	Light gray (N 7)	Alumic silver
Y100D	Black (N 1.2)	Light gray (N 7)	Alumic silver
Y100E	Jade green (7.5 BG 4/1.5)	Light gray (N 7)	Alumic silver

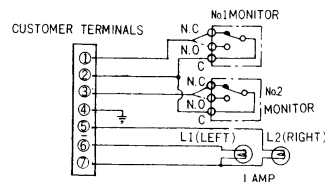
### Terminal Connections



**PNEUMATIC CONNECTIONS**

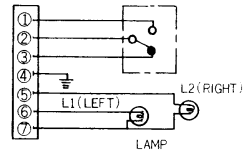
S : SUPPLY  
O : OUT  
E1 : PV

**ELECTRIC CONNECTIONS**



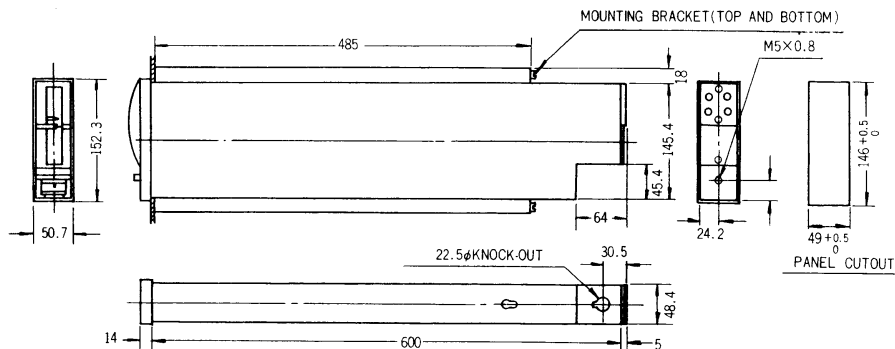
**High and Low Monitor**

**CUSTOMER TERMINALS**



**High or Low Monitor**

### Dimensions



### Ordering Information

When ordering, please specify:

- 1) Model No.
- 2) Scale range
- 3) Options

\* Specifications are subject to change without notice.  
\* Reference instruction manual . . . FPT-5101