

## Specifications

*Indicating section*

*Input:* Range; 0.2 ~ 1.0 kg/cm<sup>2</sup>  
 Number of input ; 1-pt. (red) or 2-pt. (red and blue)  
 Scale length ; 85 mm

*Indication:* Accuracy ;  $\pm 1.0\%$  FS  
 Repeatability ; Within 0.5% FS  
 Dead band ; Within 0.2% FS

*Operating conditions*

Temperature ; 0 ~ 50°C  
 Humidity ; 10 ~ 90% RH

*Installation :* Indoor panel mounting.

*Mounting angle ;* Up to 75° case rear down from horizontal.

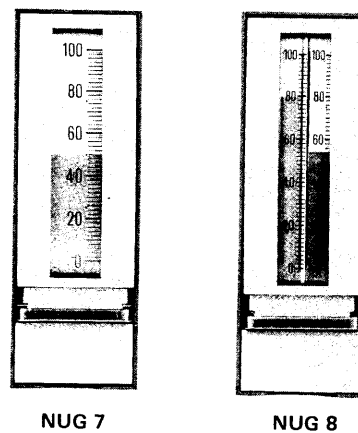
*Net weight:* Standard case ; Approx. 5 kg  
 Short case ; Approx. 4 kg

*Color finish:* Bezel ; Dark beige (Munsell 10YR 4.7/0.5)  
 Lower mask ; Aluminic silver  
 Case ; Dark beige (Munsell 10YR 4.7/0.5)

*Connections:* Air ; PT $\frac{1}{4}$  (ISO R7  $\frac{1}{4}$ "') or NPT $\frac{1}{4}$  tap thread  
 Electric ; M 3.5 mm screws

*Dimensions:* Standard case ; 152.3H x 50.7W x 600 D (mm)  
 Short case ; 152.3H x 50.7W x 400 D (mm)

VUMATIK  
 RIBBON INDICATOR  
 MODEL ; NUG



## Options

Following options are available.

Item (1), (2) are the standard options.

*(1) Lamp (1-set)*

Number of lamp: 2-lamp (Can be divided into two sections.)

Rating: 24 V, 40 mA/lump

*(2) Monitor switch (With a lamp set)*

Number of alarm: { PV 1 pt. (High or low)

{ PV 2 pts. (High and low on 1 input)

Span : PV; 0 ~ 100% FS

Differential gap; Within 2% FS

Repeatability : Within 0.5% FS

Output contact rating: AC 250 V, 4 A

Item (3) is the semi-standard option.

*(3) Front mask semi-standard color (Y 100A, B, C, D)*

**Yamatake-Honeywell Co. Ltd.**  
 Process Control Division

**Sales Headquarters :** Nagai International Bldg., 12-19, Shibuya 2 chome, Shibuya-ku, Tokyo, 150 Japan  
 Tel : (03) 409-7171 Telex : J22902 Cable : YAMATAKE CO

## Model Number Table

Ex. NUG 70-X-X

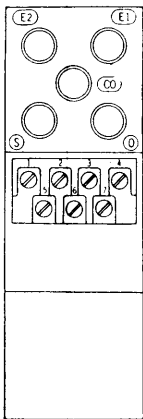
Basic Model No.	I	II	Description
Key No.	Type of Case	Selection Option	
NUG 7	•		1-point Ribbon Indicator
NUG 8			2-point Ribbon Indicator
	0		Standard Case
	9		Short Case
	-X		No Selection
		-X	No Option
		-1	Lamp (1-set)
		-5	PV Monitor Switch, 1 point on 1 PV (with a lamp set)
		-6	PV Monitor Switch, 2 points on 1 PV (with a lamp set)

### Notes

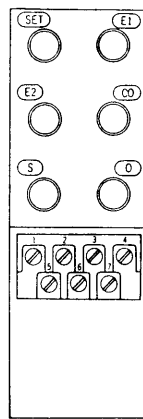
- When ordering "Y" semi-standard options not specified on Model Number Table, please write as: NUG 70Y-X-X (Y□).
- Front mask semi-standard color

Part Y-No.	Bezel	Upper Mask	Lower Mask
Y 100 A	Dark beige (10 YR 4.7/0.5)		
Y 100 B	Green (2.5 G 5/1.5)	Light gray (N 7)	Alumic silver
Y 100 C	Dark gray (N 5)	Light gray (N 7)	Alumic silver
Y 100 D	Black (N 1.2)	Light gray (N 7)	Alumic silver

## Customer Connections



Standard Case

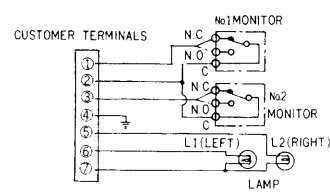


Short Case

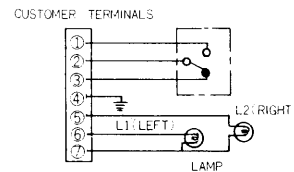
### PNEUMATIC CONNECTIONS

	1PT. IND.	2PT. IND.
E1	PV	No 1 PV
E2	-	No 2 PV

### ELECTRIC CONNECTIONS



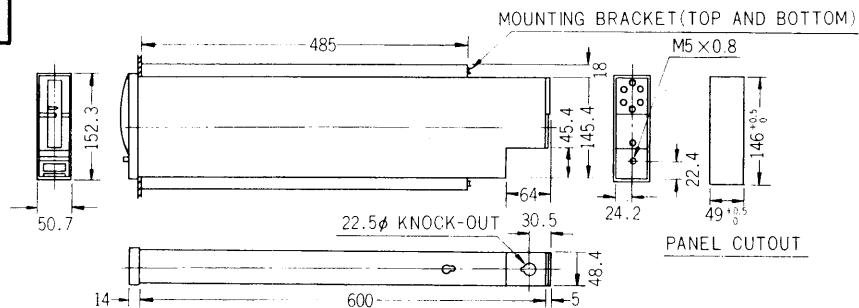
High and Low Monitor



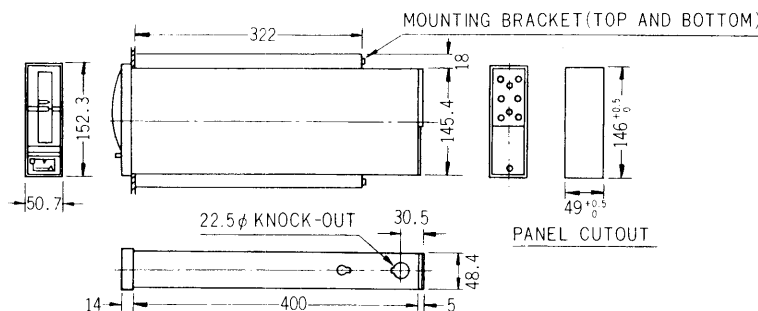
High or Low Monitor

## Dimensions

### Standard Case



### Short Case



## Ordering Information

When ordering, please specify:

- Model No.
- Scale range
- Options

\* Specifications are subject to change without notice.