

Specifications

*Indicating section**Input:* 0.2 ~ 1.0 kg/cm²*Indication:* Accuracy; $\pm 0.5\%$ FS
Repeatability; Within 0.2% FS
Dead band; Within 0.1% FS*Scale length:* 85 mm*Set-point section**Set-point setting:* Manual set-point (Local)
(Set-point transmitter.)Accuracy; $\pm 0.5\%$ FS
Repeatability; Within 0.1% FS*Scale length:* 85 mm*Manual control unit**Valve meter:* Scale; 0 ~ 100% (20 even div.)
Accuracy; $\pm 3.0\%$ FS
Repeatability; Within 0.5% FS*Auto-Man. transfer:* Balanceless-Bumpless*Output-air capacity:* 50 Nl/min.*Control unit**Output:* 0.2 ~ 1.0 kg/cm²*Type of control:* P (Semi-standard option), PI, PI (Batch control) and PID*Controller performance:*

Proportional band (P); 5 ~ 50% or 50 ~ 500% transferable.

Integral (I); 0.02 ~ 50 min.

Derivative (D); 0.02 ~ 50 min.

Output air capacity: 50 Nl/min.*Air supply:* 1.4 \pm 0.14 kg/cm²*Air consumption:* 12 Nl/min. (When 50% output, balanced state)*Operating conditions:* Temperature; 0 ~ 50°C
Humidity; 10 ~ 90% RH*Installation:* Indoor panel mounting.*Mounting angle:* Up to 75° case rear down from horizontal.*Net weight:* Approx. 7.5 kg*Color finish:*

Bezel; Dark beige (Munsell 10YR 4.7/0.5)

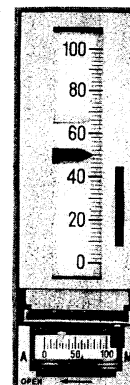
Front mask; Light gray (Munsell N7)

Lower mask; Aluminic silver

Case; Dark beige (Munsell 10YR 4.7/0.5)

Connections: Air; PT $\frac{1}{4}$ (ISO R7 $\frac{1}{4}$ ") or NPT $\frac{1}{4}$ tap thread
Electric; M 3.5 mm screws*Dimension:* 152.3 H x 50.7 W x 600 D (mm)

VUMATIK
VERTICAL SCALE(FIXED SCALE)
INDICATOR CONTROLLER
MANUAL SET-POINT(LOCAL)
MODEL: NUL5



NUL 5

Options

Following options are available.

Item (1), (2) are the standard options.

(1) Lamp (1-set)

Number of lamp: 2-lamp (Can be divided into two sections.)

Rating: 24 V, 40 mA/lamp

*(2) Monitor switch (With a lamp set)*Number of alarm: $\left\{ \begin{array}{l} \text{PV 1pt. (High or low)} \\ \text{PV 2 pts. (High and low on 1 input)} \\ \text{Deviation 1 pt.} \end{array} \right.$ Setting span: $\left\{ \begin{array}{l} 0 \sim 100\% \text{ FS (PV monitor)} \\ 100 \sim 0 \sim 100\% \text{ FS (Dev. monitor)} \end{array} \right.$ $\left\{ \begin{array}{l} \text{Remark; Minimum 10\% FS clearance is} \\ \text{required between the lowest value of Hi} \\ \text{limit and the highest value of Lo limit.} \end{array} \right.$

Differential gap: Within 0.5% FS

Repeatability: Within 0.5% FS

Output contact rating: AC 250 V, 4 A

Item (3), (4) are the semi-standard options.

*(3) Front mask semi-standard color (Y 100A, B, C, D)**(4) P-mode controller (Y 109A)*

Proportional band; 5 ~ 50 or 50 ~ 500% transferable.

Manual reset; 0 ~ 100% FS (When SP = PV)

(5) Make-up bottom unit (Y 120A, B)

With output gage (Y 120A),

Blind (Y 120B)

Yamatake-Honeywell Co. Ltd.
Process Control Division

Sales Headquarters : Nagai International Bldg., 12-19, Shibuya 2 chome, Shibuya-ku, Tokyo, 150 Japan
Tel : (03) 409-7171 Telex : J22902 Cable : YAMATAKE CO

Model Number Table

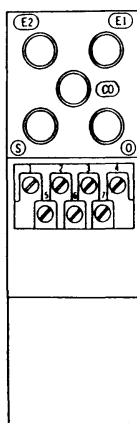
Basic Model No.		I	II	Description	
Key No	Control Action	Selection	Option		
NUL 5				Vertical Scale (Fixed Scale) Indicator Controller, Manual Set-point (Local)	
	1Y			P (Semi-standard option Y 109A)	
	2			PI	
	3			PID	
	5			PI (Batch Control)	
			-X		No Selection
				-X	No Option
			-1	Lamp (1-set)	
			-5	PV Monitor Switch, 1 point on No.1 PV (with a lamp set)	
			-6	PV Monitor Switch, 2 points on No.1 PV (with a lamp set)	
			-7	Deviation Monitor Switch (with a lamp set)	

Note 1. When ordering "Y" semi-standard options not specified on Model Number Table, please write as: NUL 52Y-X-X (Y □).

Note 2. Front mask semi-standard color

Part Y-No.	Bezel	Upper Mask	Lower Mask
Y100A	Dark beige (10YR 4.7/0.5)		
Y100B	Green (2.5 G 5/1.5)	Light gray (N 7)	Aluminic silver
Y100C	Dark gray (N 5)	Light gray (N 7)	Aluminic silver
Y100D	Black (N 1.2)	Light gray (N 7)	Aluminic silver

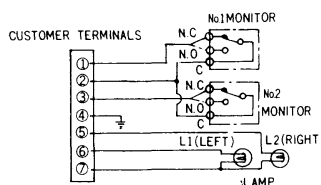
Connections



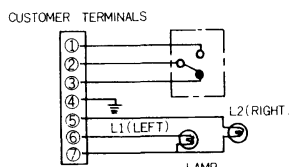
PNEUMATIC CONNECTIONS

S : SUPPLY
O : OUT
E1 : PV

ELECTRIC CONNECTIONS

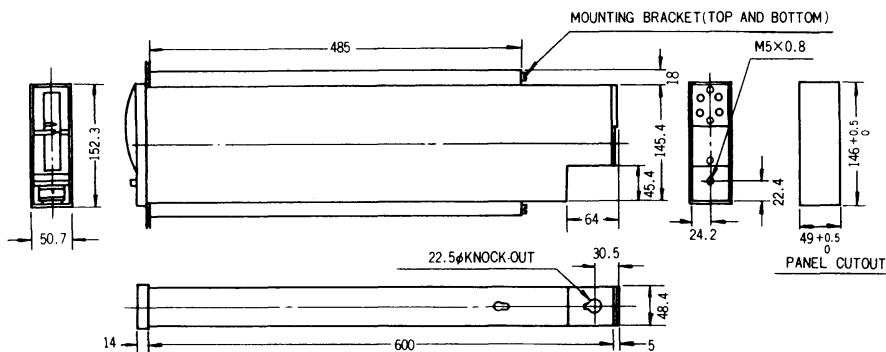


High and Low Monitor



High or Low Monitor

Dimensions



Ordering Information

When ordering, please specify:

1. Model No.
2. Scale range
3. Options

* Specifications are subject to change without notice.
* Reference instruction manual . . . FPT 5101