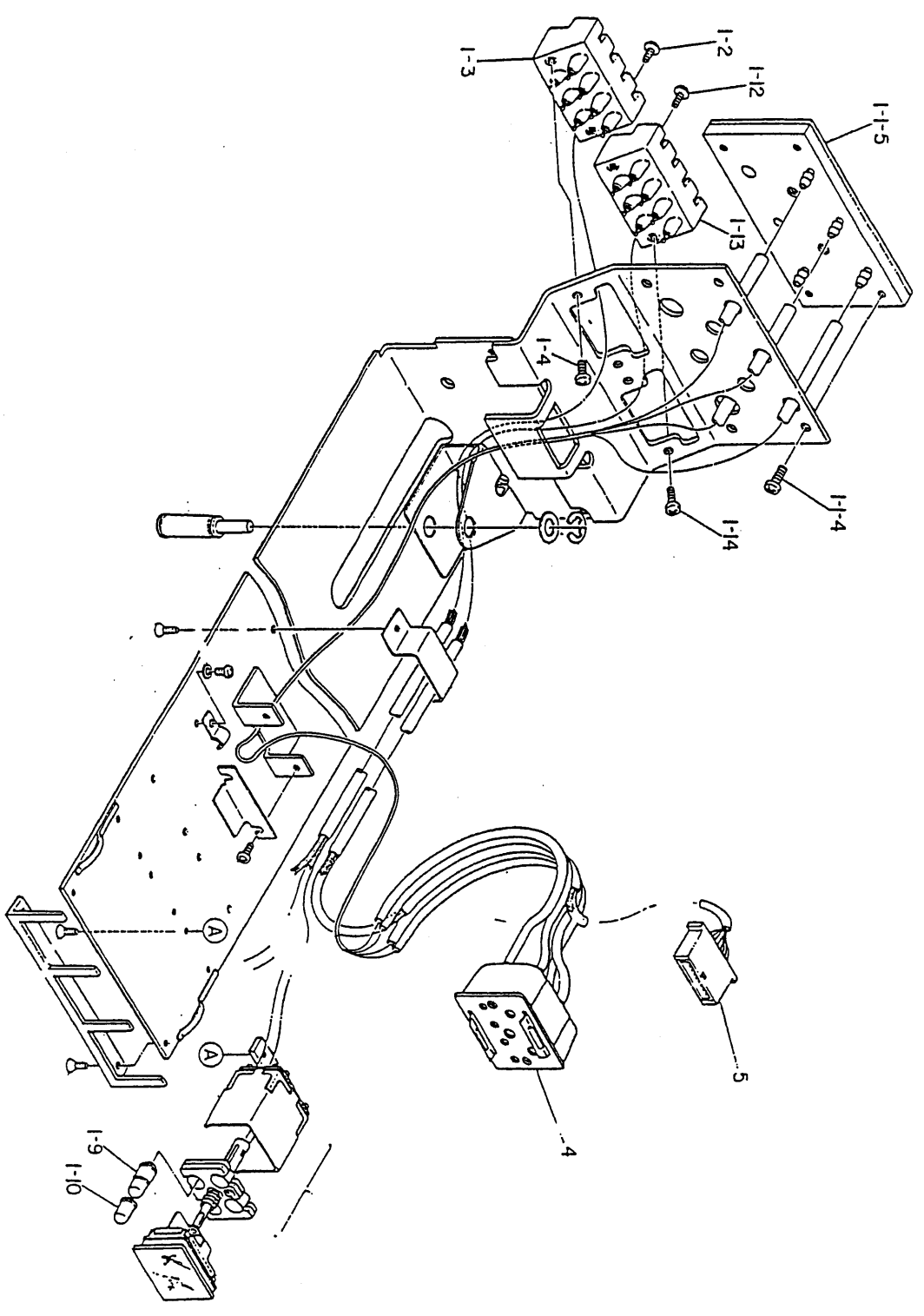


Vumatik 8000 Recorder (NUXB) Lower Chassis



Vumatik 8000 Recorder Lower Chassis 分解图
NUXB

NU9-05-15-01
2001/9/20

Key No.	Description	Quantity	Part No.
1-1-4	screw	4	HS309530-06200
1-1-5	rear connector assembly	1	80069279-00100
1-2	screw, with lamp	7	80068404-00100
1-3	terminal assembly, with lamp	1	80234556-00100
1-4	screw	2	HS309530-06200
1-9	pilot lamp, 1-lamp case	4	80231377-00100
1-9	pilot lamp, 2-lamp case	8	80231377-00100
1-9	pilot lamp, 3-lamp case	12	80231377-00100
1-10	color filter, 1-lamp case	4	80231396-00100
1-10	color filter, 2-lamp case	8	80231396-00100
1-10	color filter, 3-lamp case	12	80231396-00100
1-12	screw	7	80068404-00100
1-13	terminal assembly	1	80234556-00100
1-14	screw	2	HS309530-06200
4	quick connector "U" tube assembly	1	80355220-00600
5	cable connector assembly	1	80355215-00700