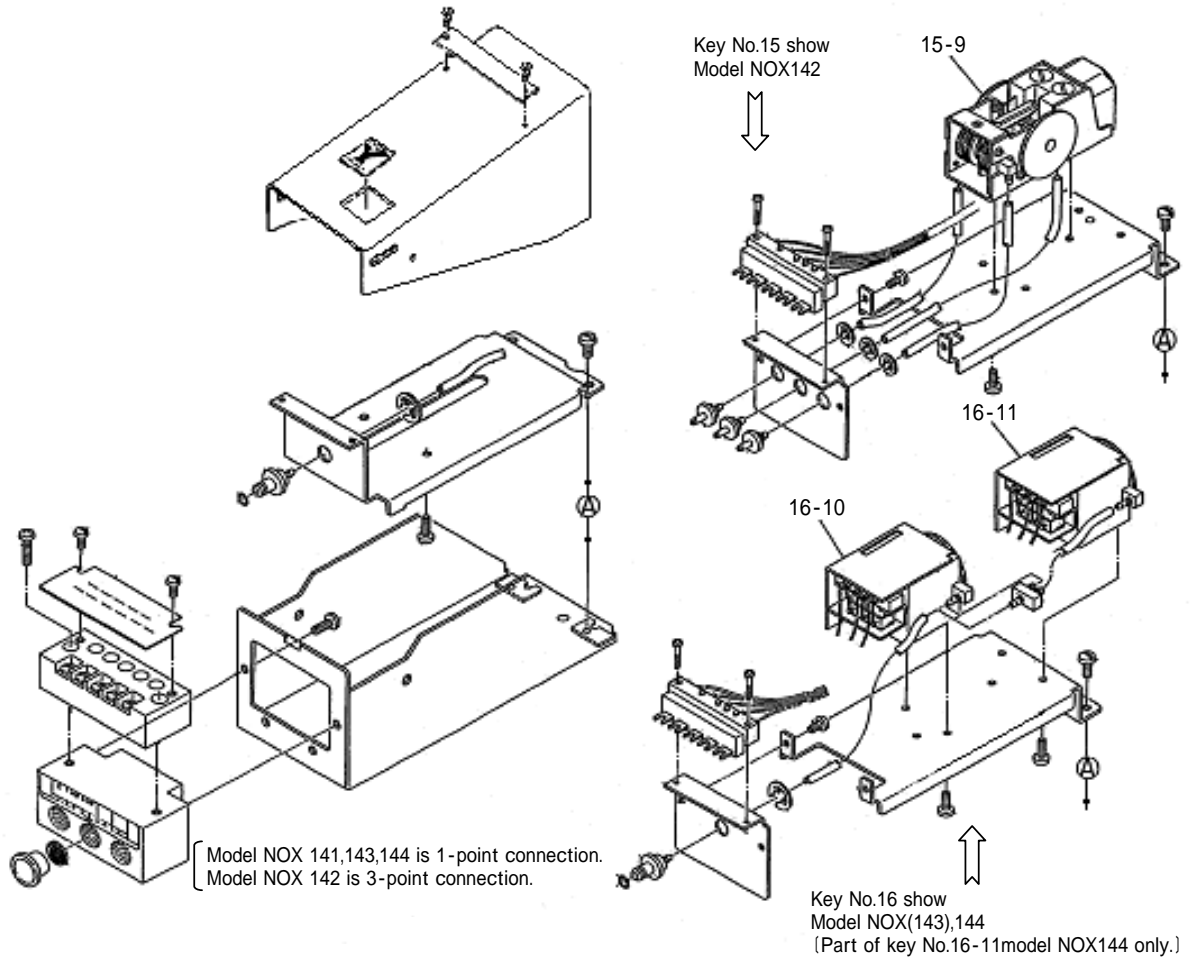


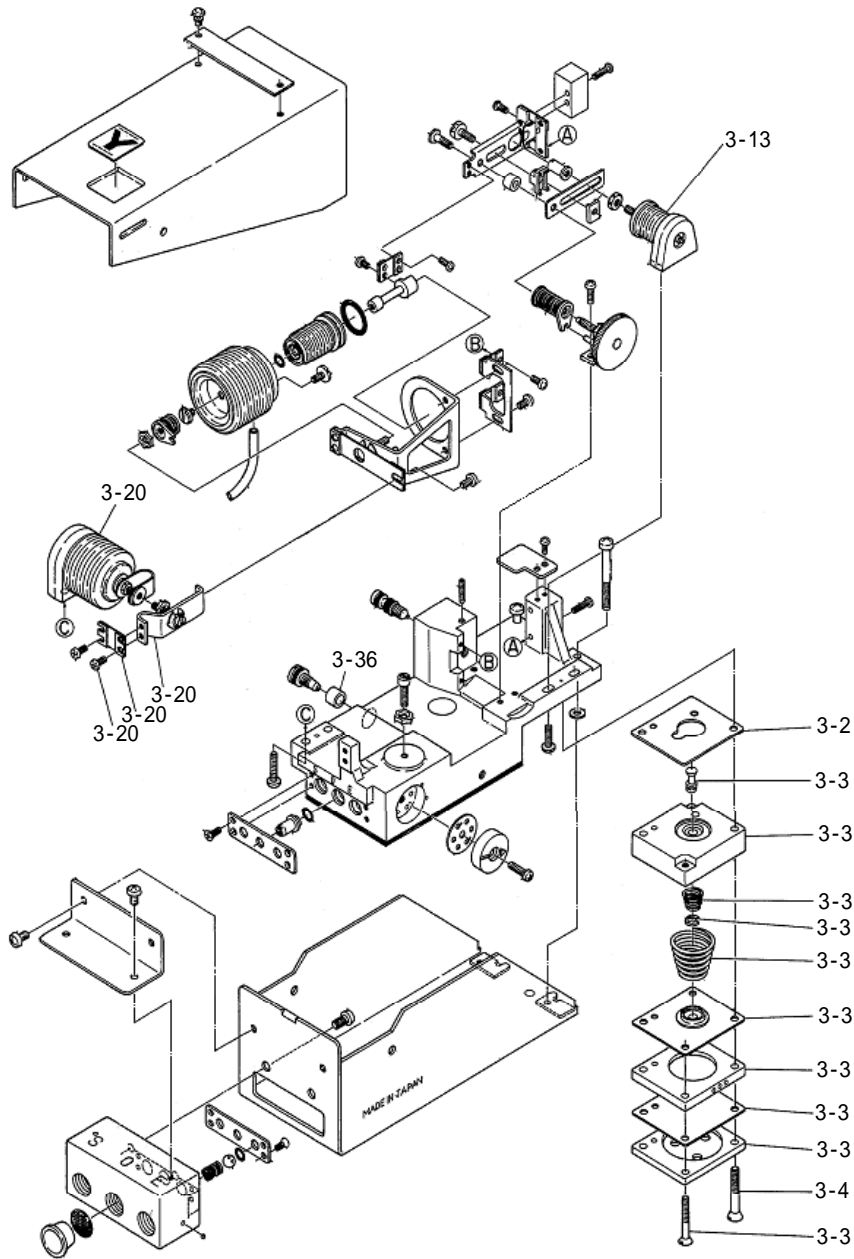
| No. | Model | Style | Parts list No. |
|-----|-----------------|----------------------------------------|----------------|
| 1 | NOX 142/143/144 | Monitor Switch | NO4-01-13 |
| 2 | NOX 500 | Square Root Extractor | NO6-01-13 |
| 3 | NOX 510 | Ratio and Bias Relay | NO7-01-13 |
| 4 | NOX 53 | Selector | NO8-01-13 |
| 5 | NOX 541/542 | Limiter | NO9-01-13 |
| 6 | NOX 550 | Adder & Subtractor | NOA-01-13 |
| 7 | NOX 555/556/557 | General Purpose Adder and Subtractor | NOB-01-12 |
| 8 | NOX 590 | Pneumatic Transmission Lag Compensator | NOC-01-12 |
| 9 | NZ2 | Monitor Switch | NZ2-01-13 |

Vumatik 8000 Auxiliary (NOX142,143,144)
Monitor Switch



| Key No. | Description | Quantity | Part No. |
|---------|--------------------------------|----------|----------------|
| 15-9 | deviation monitor switch unit | 1 | 80069135-00100 |
| 16-10 | PV monitor switch unit | 1 | 80069007-00100 |
| 16-11 | PV monitor switch unit, NOX144 | 1 | 80069007-00100 |

Vumatik 8000 Auxiliary (NOX500)
Separate Root Extractor

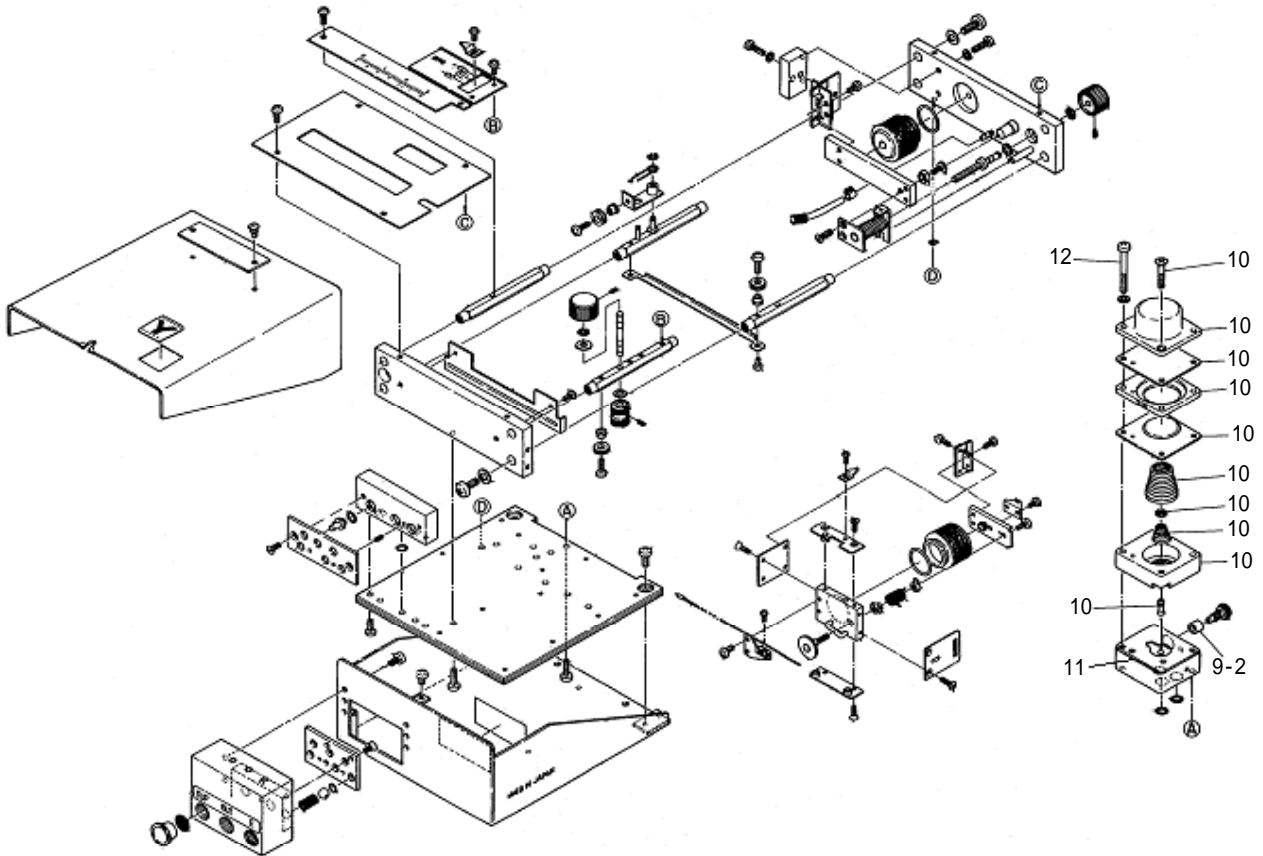


2008/1/8

| Key No. | Description | Quantity | Part No. |
|---------|------------------------|----------|----------------|
| 3-2 | gasket | 1 | 80068390-00100 |
| 3-3 | pilot relay assembly | 1 | 80068834-00100 |
| 3-4 | screw | 2 | HS311225-25000 |
| 3-13 | input bellows assembly | 1 | 80032116-00100 |
| 3-20 | feedback unit | 1 | 80032139-00100 |
| 3-36 | filter | 1 | 80069548-00100 |

NO7-01-13

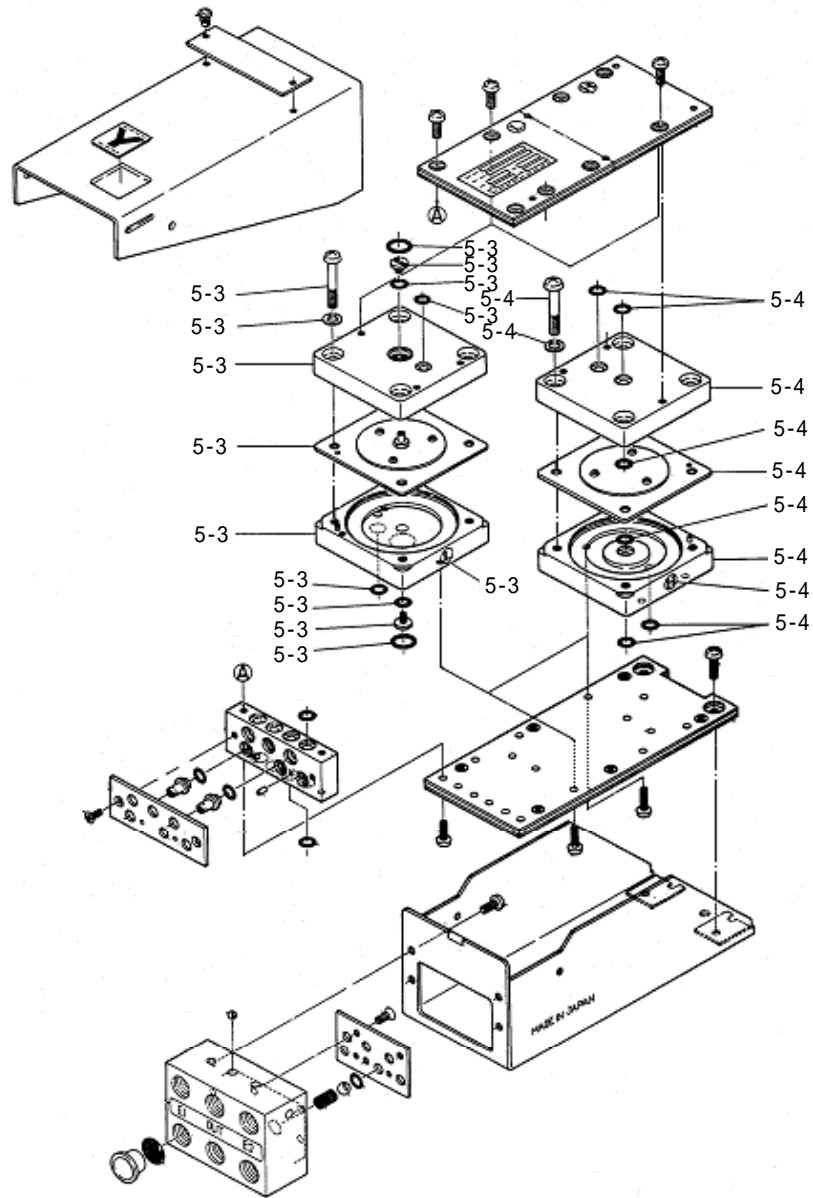
Vumatik 8000 Auxiliary (NOX510)
Ratio & Bias Relay



2008/1/8

| Key No. | Description | Quantity | Part No. |
|---------|----------------------|----------|----------------|
| 9-2 | filter | 1 | 80069548-00100 |
| 10 | pilot relay assembly | 1 | 80068834-00200 |
| 11 | gasket | 1 | 80068390-00100 |
| 12 | screw | 2 | 80332619-00100 |

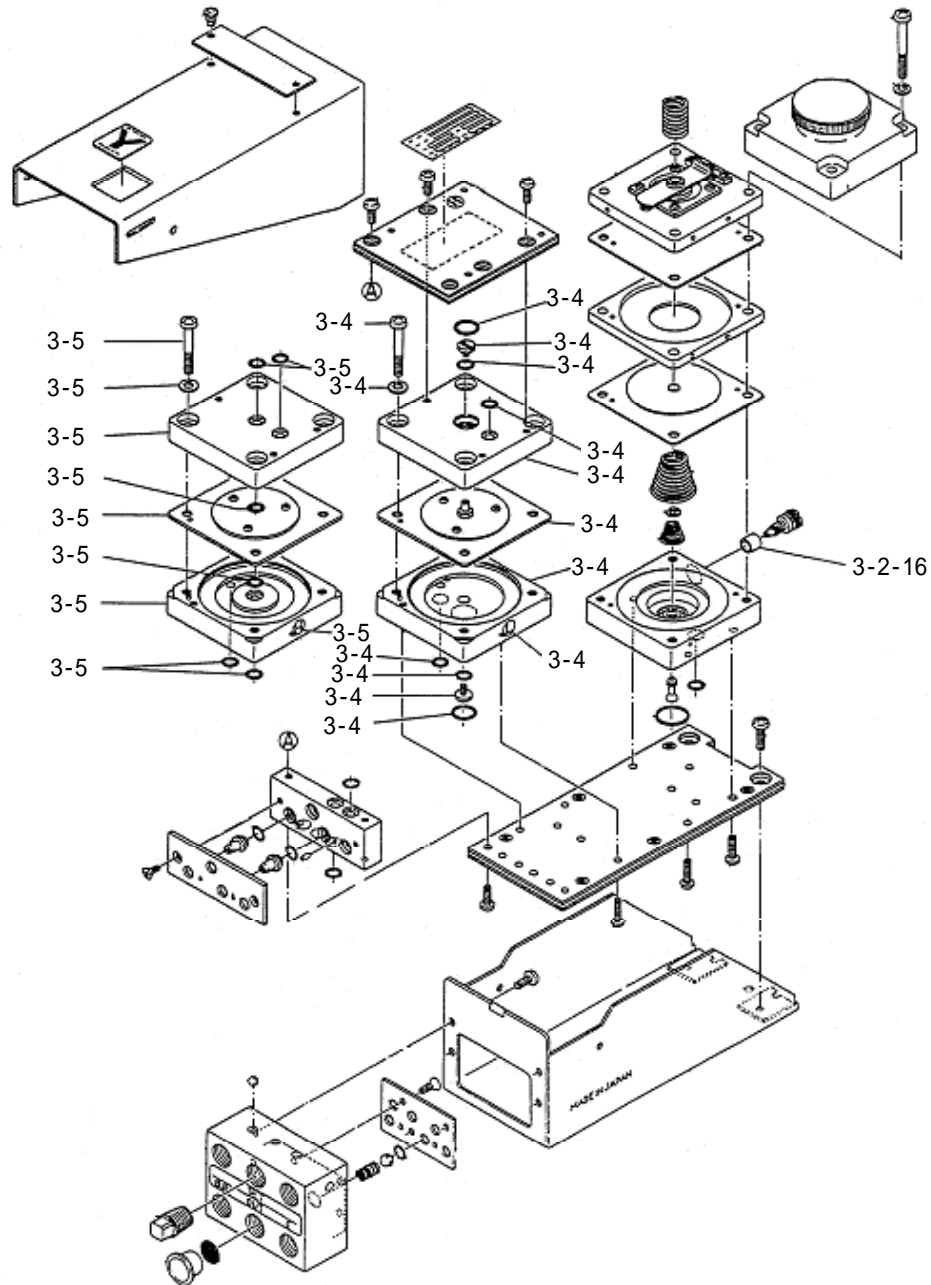
Vumatik 8000 Auxiliary (NOX53)
Selector



2008/1/8

| Key No. | Description | Quantity | Part No. |
|---------|----------------------------------------------|----------|----------------|
| 5-3 | low selector assembly, for model NOX532, 533 | 1 | 80032212-00100 |
| 5-3 | low selector assembly, for model NOX535 | 2 | 80032212-00100 |
| 5-4 | high selector assembly, model NOX531, 533 | 1 | 80032211-00100 |
| 5-4 | high selector assembly, model NOX534 | 2 | 80032211-00100 |

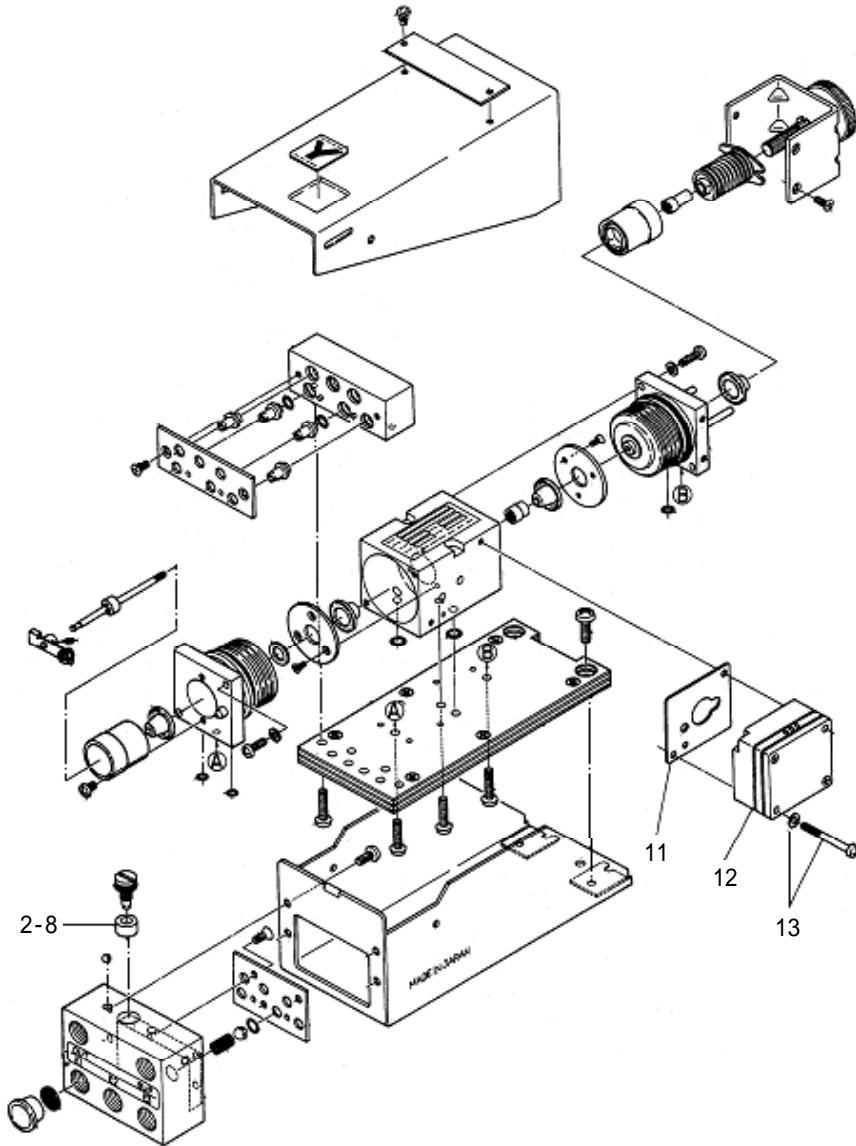
Vumatik 8000 Auxiliary (NOX541,542)
 Limiter



2008/1/8

| Key No. | Description | Quantity | Part No. |
|---------|------------------------------------------|----------|----------------|
| 3-2-16 | filter | 1 | 80069548-00100 |
| 3-4 | low selector assembly, for model NOX541 | 1 | 80032212-00100 |
| 3-5 | high selector assembly, for model NOX542 | 1 | 80032211-00100 |

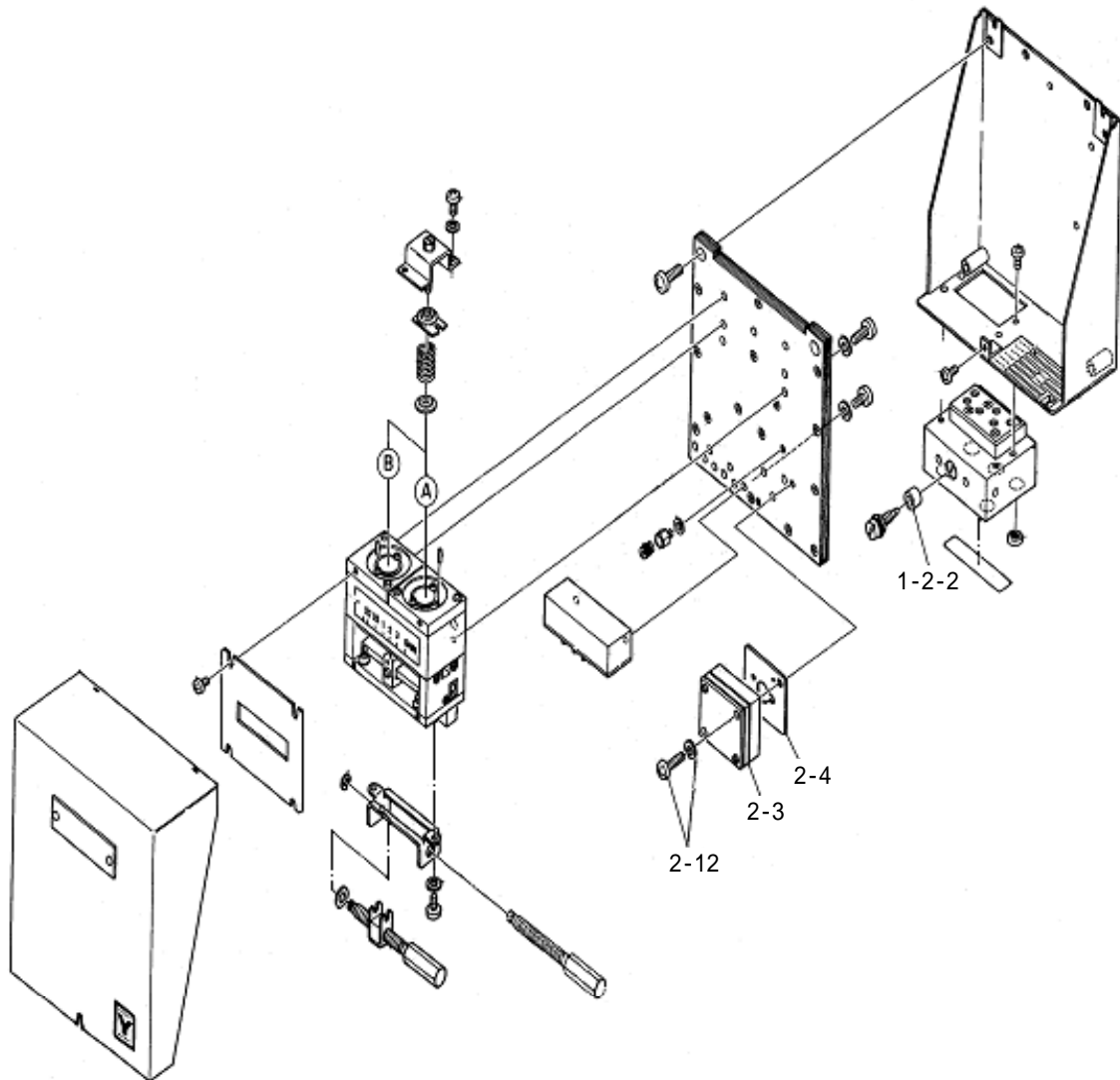
Vumatik 8000 Auxiliary (NOX550)
Adder & Subtractor



2008/1/8

| Key No. | Description | Quantity | Part No. |
|---------|----------------------|----------|----------------|
| 2-8 | filter | 1 | 80069548-00100 |
| 11 | gasket | 1 | 80069151-00100 |
| 12 | pilot relay assembly | 1 | 80068834-00300 |
| 13 | screw | 2 | 80332619-00100 |

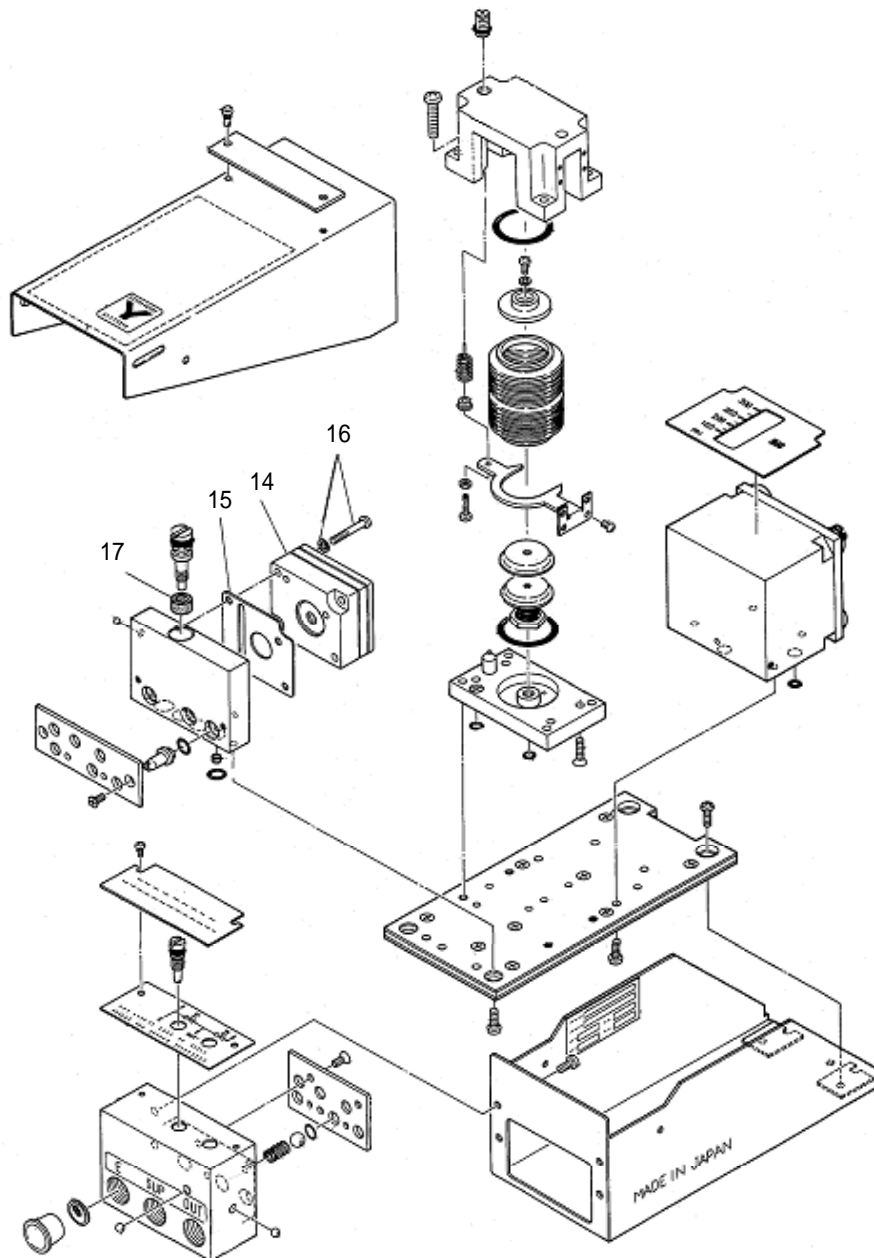
Vumatik 8000 Auxiliary (NOX555,556,557)
 General Purpose Adder and Subtractor



2008/1/8

| Key No. | Description | Quantity | Part No. |
|---------|-------------|----------|----------------|
| 1-2-2 | filter | 1 | 80069548-00100 |
| 2-3 | pilot relay | 1 | 80068834-00100 |
| 2-4 | gasket | 1 | 80068390-00100 |
| 2-12 | screw | 2 | 80332619-00100 |

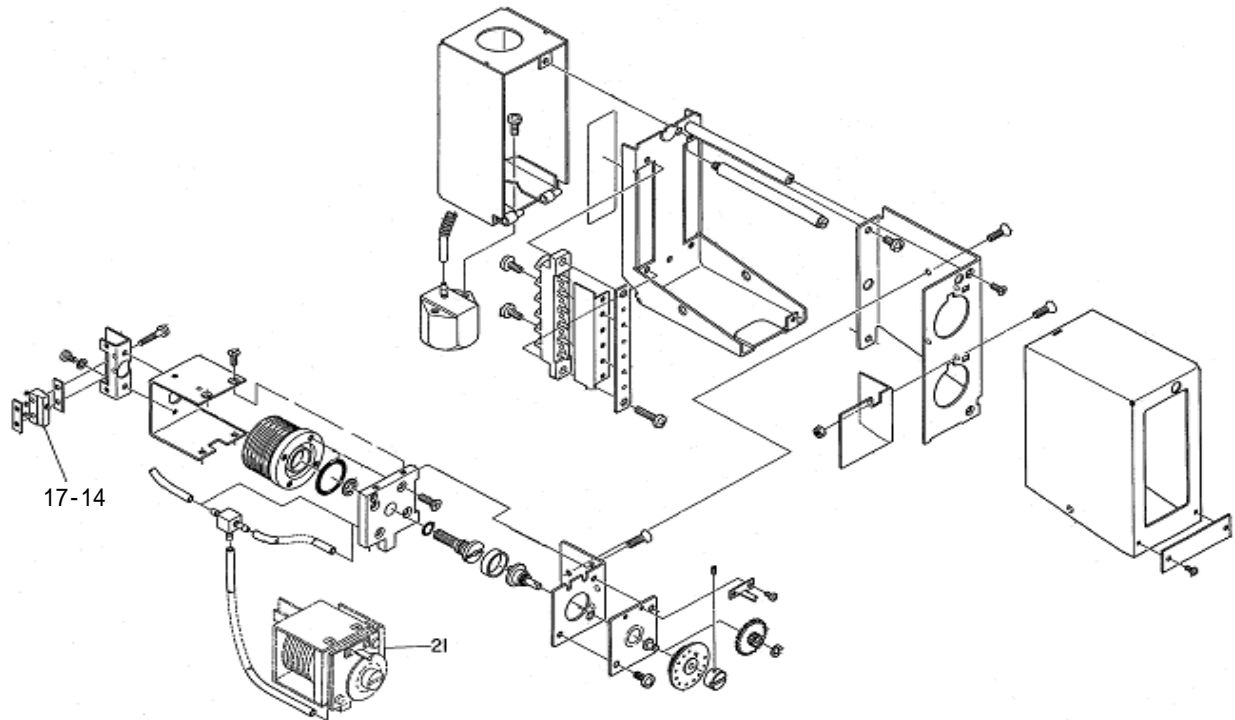
Vumatik 8000 Auxiliary (NOX590)
Pneumatic Transmission Lag Compensator



2008/1/8

| Key No. | Description | Quantity | Part No. |
|---------|----------------------|----------|----------------|
| 14 | pilot relay assembly | 1 | 80068834-00100 |
| 15 | gasket | 1 | 80353006-00100 |
| 16 | screw | 2 | 80332619-00100 |
| 17 | filter | 1 | 80069548-00100 |

Vumatik 8000 Auxiliary (NZ2)
Monitor Switch



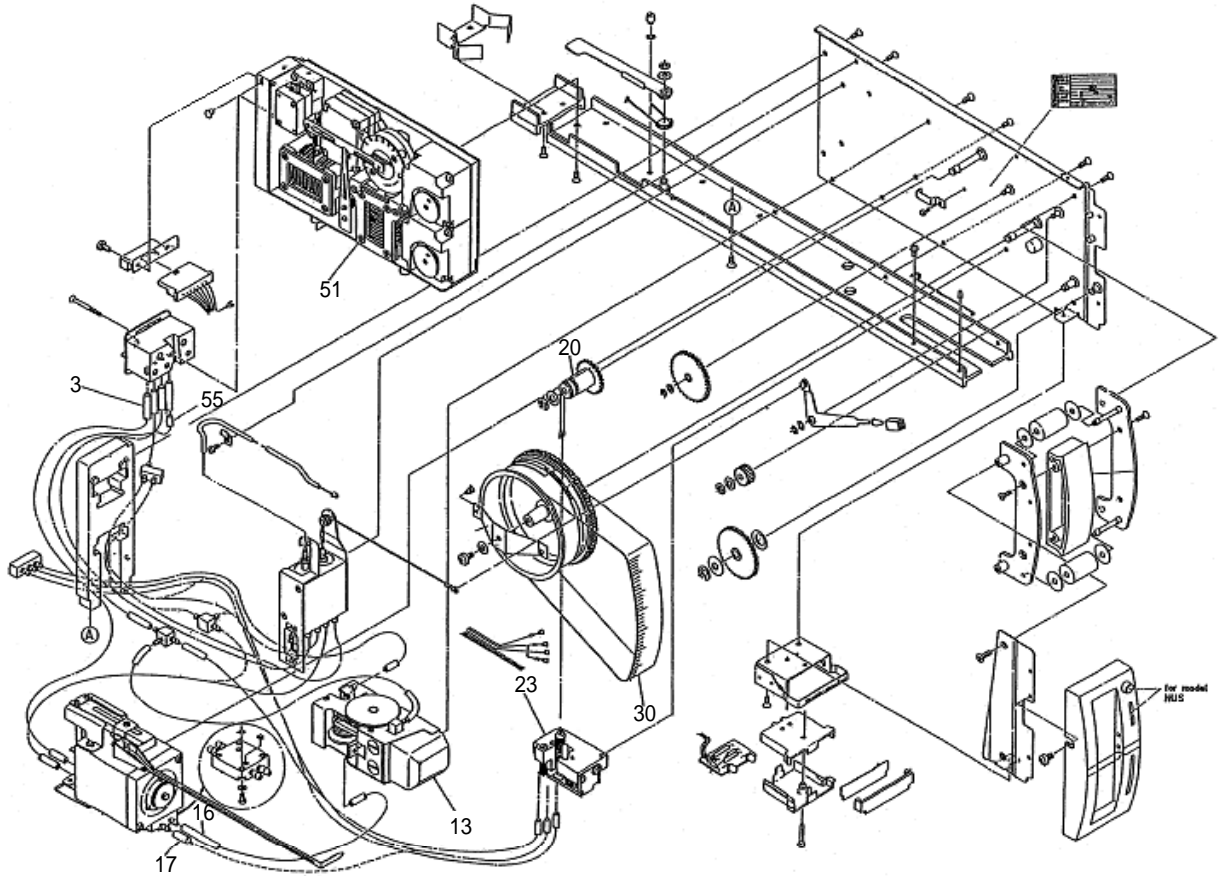
2008/1/8

| Key No. | Description | Quantity | Part No. |
|---------|----------------------------------------------------------------------------|----------|----------------|
| 17-14 | micro switch, operating clearance 1.5% F. S | 1 | 80069000-00100 |
| 21 | PV monitor switch unit, operating clearance 1.5% F. S, for 2-point monitor | 1 | 80069432-00200 |

NZ2-1 1-Point operating clearance 1.5% F. S
 NZ2-2 2-Point operating clearance 1.5% F. S

| No. | Model | Style | Parts list No. |
|-----|-----------------------------------------------|--------------------------------|----------------|
| 1 | NULB 01/02/03/05 | Upper Chassis Portion | NU1-04-16-01 |
| 2 | NULB 51/52/53/55 | Upper Chassis Portion | NU1-04-26-01 |
| 3 | NULB 01/02/03/05 | Lower Chassis | NU1-05-16-01 |
| 4 | NULB 51/52/53/55 | Lower Chassis | NU1-05-16-02 |
| 5 | NUCB/NUHB/NULB/NURB/NUSB | Manual Control Unit | NU1-10-16-01 |
| 6 | NULB 01/02/03/05/51/52/52/55 NUEB 91/92/93/95 | Control Unit | NU1-16-16-01 |
| 7 | NULB 00/09 | Upper Chassis Portion | NU2-04-16-01 |
| 8 | NULB 50/59 | Upper Chassis Portion | NU2-04-26-01 |
| 9 | NUFB 70/79/80/89 | Upper Chassis Portion | NU2-04-36-01 |
| 10 | NUHB 90-X- F/99-X- F | Upper Chassis Portion | NU2-04-36-02 |
| 11 | NUHB 90 | Lower Chassis /Standard) | NU2-05-16-01 |
| 12 | NULB 00 | Lower Chassis /Standard) | NU2-05-16-02 |
| 13 | NULB 50 | Lower Chassis Portion) | NU2-05-16-03 |
| 14 | NUHB 99 | Lower Chassis /Short) | NU2-05-26-01 |
| 15 | NULB 09 | Lower Chassis /Short) | NU2-05-26-02 |
| 16 | NULB 59 | Lower Chassis /Short) | NU2-05-26-03 |
| 17 | NUFB 70/79/80/89 | Case Assembly | NU3-02-16-01 |
| 18 | NUGB | Case Assembly | NU3-02-16-02 |
| 19 | NUGB | Upper Chassis Portion | NUG-04-16-01 |
| 20 | NUHB 90-X- D/99-X- D | Upper Chassis Portion | NU5-04-16-01 |
| 21 | NUHB 90-X- B/99-X- B | Upper Chassis Portion | NU5-04-26-01 |
| 22 | NUEB 9 -W | Field Mount Type Controk Unit) | NUE-01-16-01 |
| 23 | NUMA 9 -W | Field Mount Type | NUM-01-14-01 |
| 24 | NUXB | Upper Chassis Portion | NU9-04-16-01 |
| 25 | NUXB | Lower Chassis | NU9-05-16-01 |

Vumatik 8000 Deviation Indicating Controller (NULB01,02,03,05)
Upper Chassis Portion

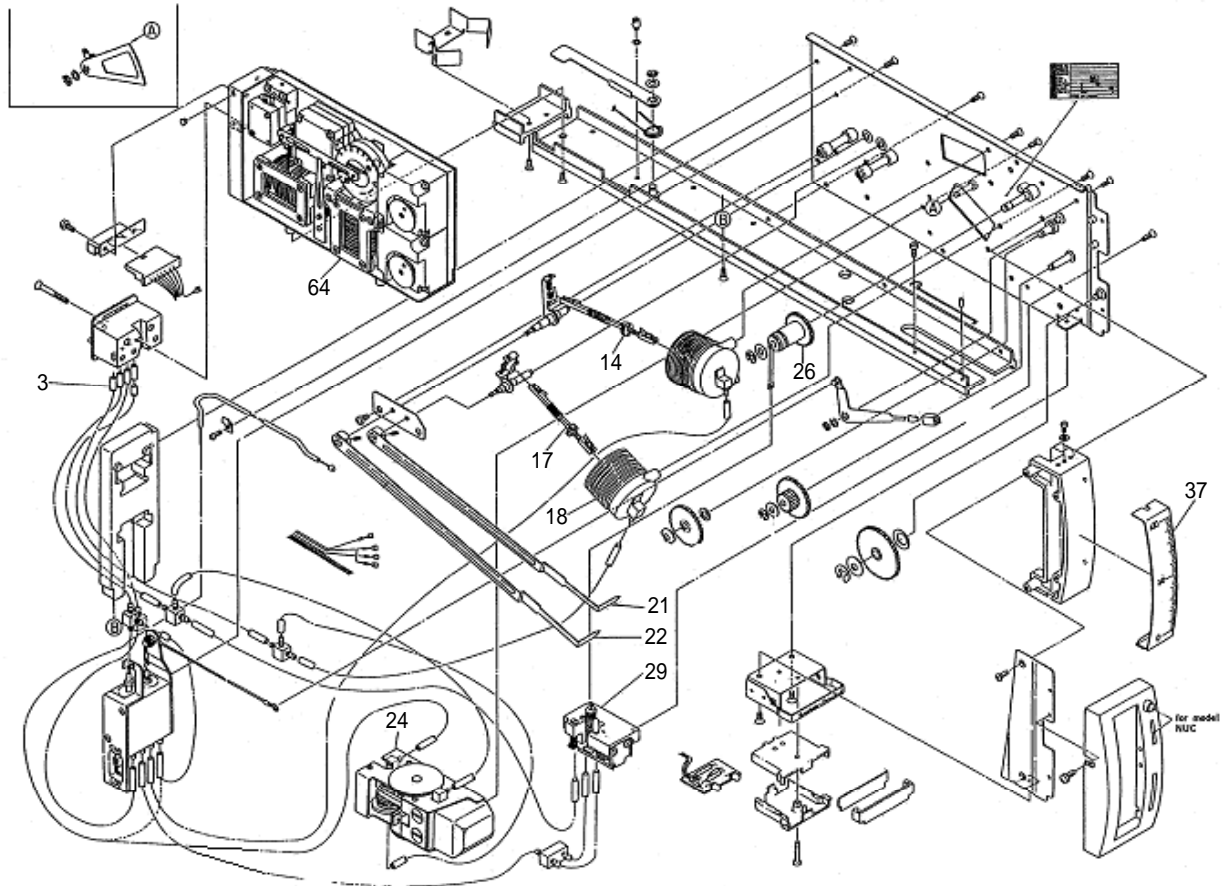


2008/1/8

| Key No. | Description | Quantity | Part No. |
|---------|--------------------------------------|----------|----------------|
| 3 | tube | 2 | 80068560-00110 |
| 13 | monitor switch(PV,high) | 1 | 80069139-00100 |
| 13 | monitor switch(PV,low) | 1 | 80069139-00200 |
| 13 | monitor switch(PV,high and low) | 1 | 80069139-00300 |
| 13 | monitor switch(deviation) | 1 | 80069135-00100 |
| 16 | gum cap (for no option or lamp only) | 1 | 80066375-00200 |
| 16 | tube (for monitor) | 1 | 80068560-00110 |
| 17 | tube | 1 | 80068560-00110 |
| 20 | pulley assembly | 1 | 80068854-00100 |
| 23 | SP setting unit | 1 | 80355230-00100 |
| 30 | scale | 1 | 80234065-00300 |
| 51 | control unit | 1 | NU1-16-15-01 |
| 55 | gum cap | 1 | 80066375-00200 |

NU1-04-26-01

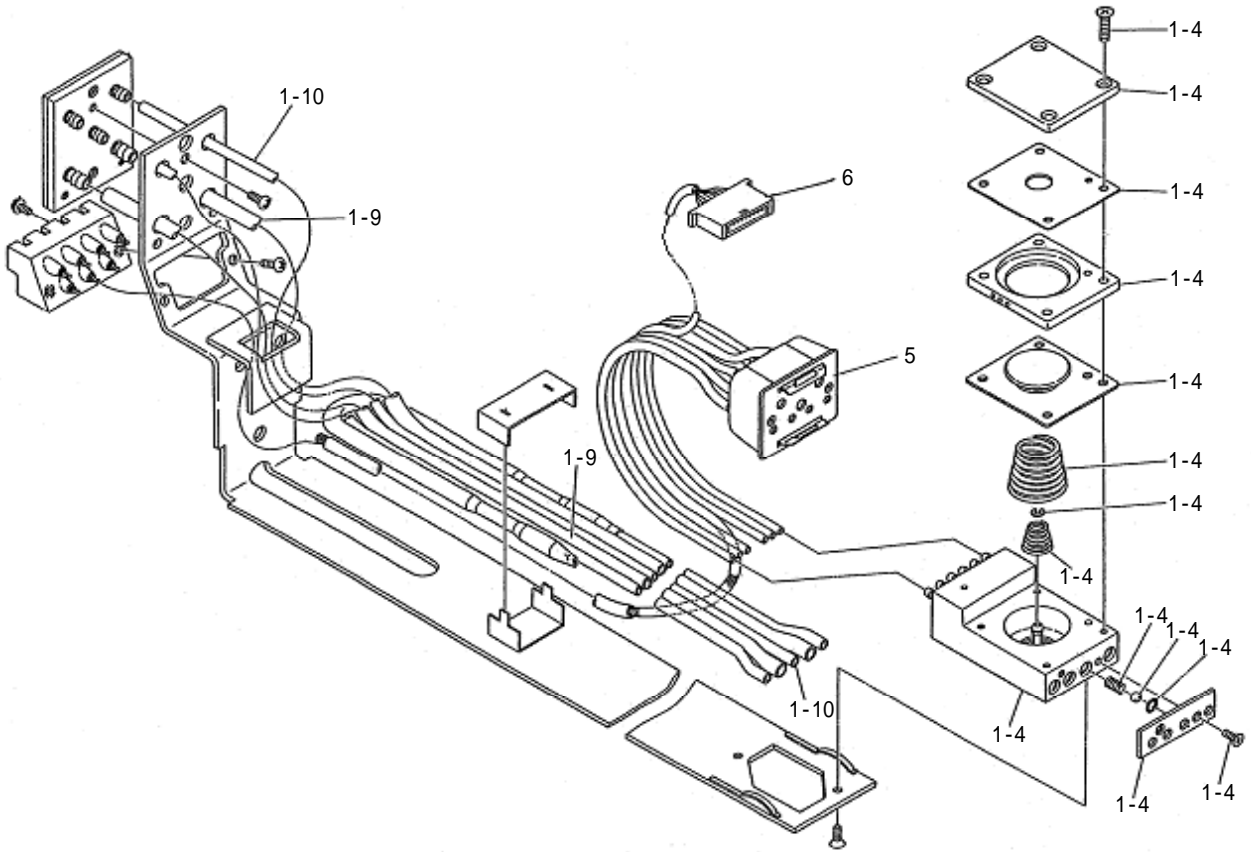
Vumatik 8000 Fixed Scale Indicating Controller (NULB51,52,53,55)
Upper Chassis Portion



2008/1/8

| Key No. | Description | Quantity | Part No. |
|---------|-------------------------------------------|----------|----------------|
| 3 | tube | 2 | 80068560-00110 |
| 14 | overtravel link | 1 | 80025084-00100 |
| 17 | overtravel link | 1 | 80068252-00100 |
| 18 | bellows assembly | 1 | 80068656-00100 |
| 21 | pointer | 1 | 80068681-00500 |
| 22 | pointer | 1 | 80068681-00700 |
| 24 | monitor switch unit (PV , high) | 1 | 80069139-00100 |
| 24 | monitor switch unit (PV , low) | 1 | 80069139-00200 |
| 24 | monitor switch unit (PV , high and low) | 1 | 80069139-00300 |
| 24 | monitor switch unit (Deviation) | 1 | 80069135-00100 |
| 26 | pulley assembly | 1 | 80068854-00300 |
| 29 | SP setting unit | 1 | 80355230-00100 |
| 37 | scale | 1 | 80068483-00300 |
| 64 | control unit | 1 | NU1-16-15-01 |

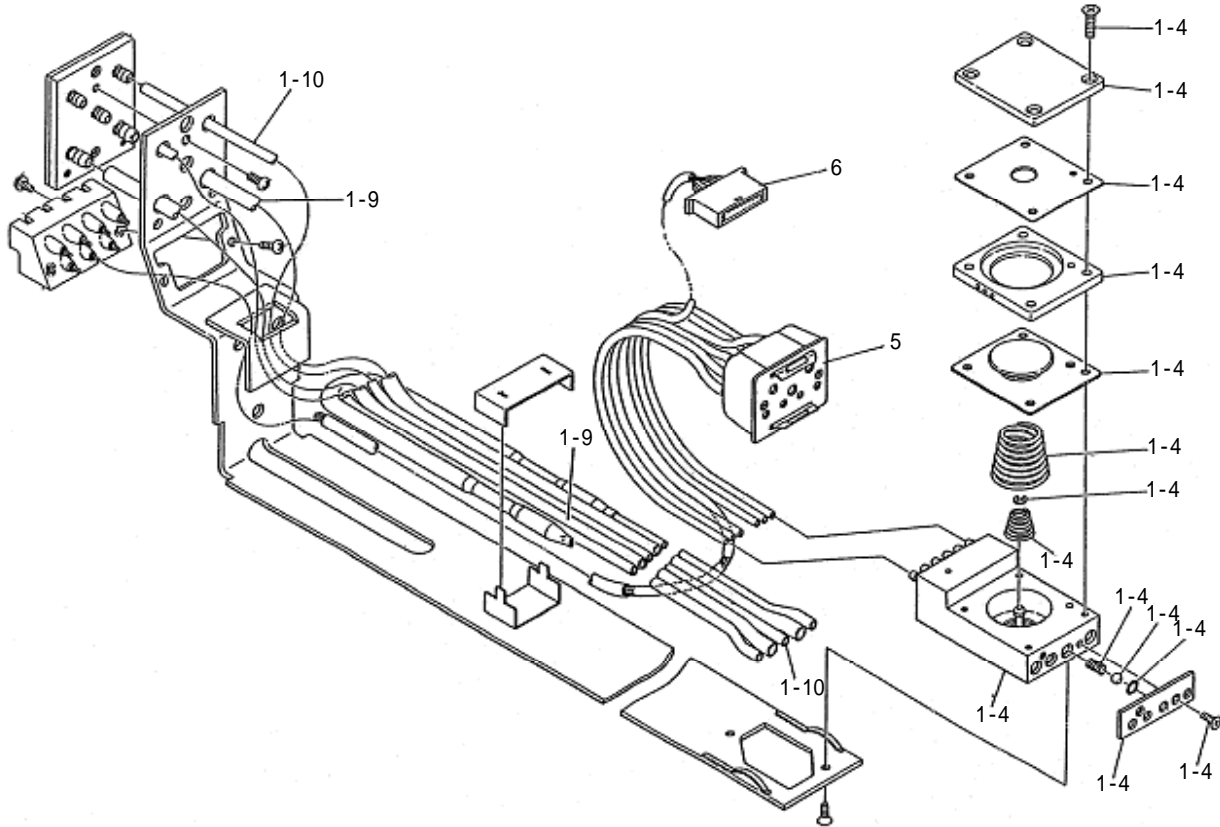
Vumatik 8000 Indicating Controller (NULB01,02,03,05)
Lower Chassis



2008/1/8

| Key No. | Description | Quantity | Part No. |
|---------|---------------------------------|----------|----------------|
| 1-4 | pilot relay assembly | 1 | 80068830-00100 |
| 1-9 | tube | 1 | 80068574-00110 |
| 1-10 | tube | 2 | 80068560-00110 |
| 5 | quick connector U tube assembly | 1 | 80355220-00100 |
| 6 | cable connector assembly | 1 | 80355215-00100 |

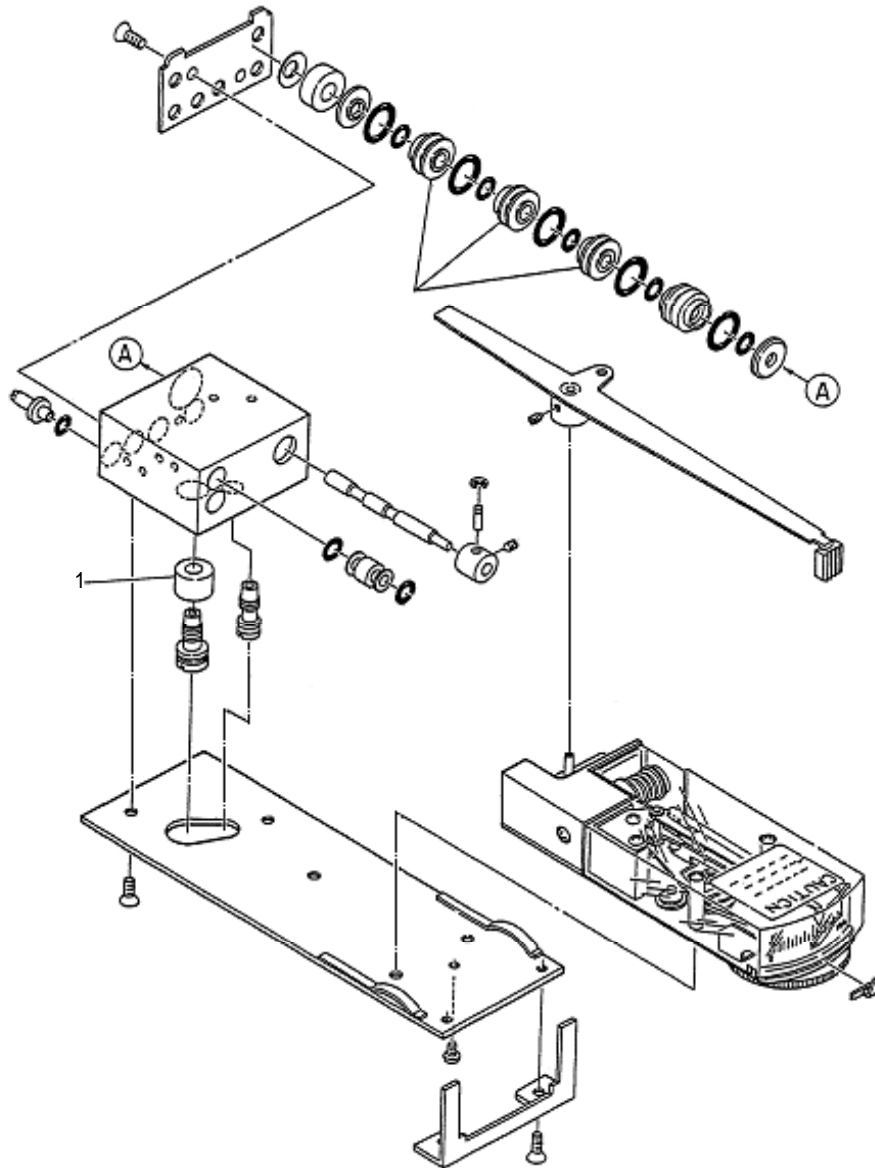
Vumatik 8000 Indicating Controller (NULB51,52,53,55)
Lower Chassis



2008/1/8

| Key No. | Description | Quantity | Part No. |
|---------|-----------------------------------|----------|----------------|
| 1-4 | pilot relay assembly | 1 | 80068830-00100 |
| 1-9 | tube | 2 | 80068574-00110 |
| 1-10 | tube | 2 | 80068560-00110 |
| 5 | quick connector "U" tube assembly | 1 | 80355220-00100 |
| 6 | cable connector | 1 | 80355215-00100 |

Vumatik 8000 Indicator
Manual Control Unit

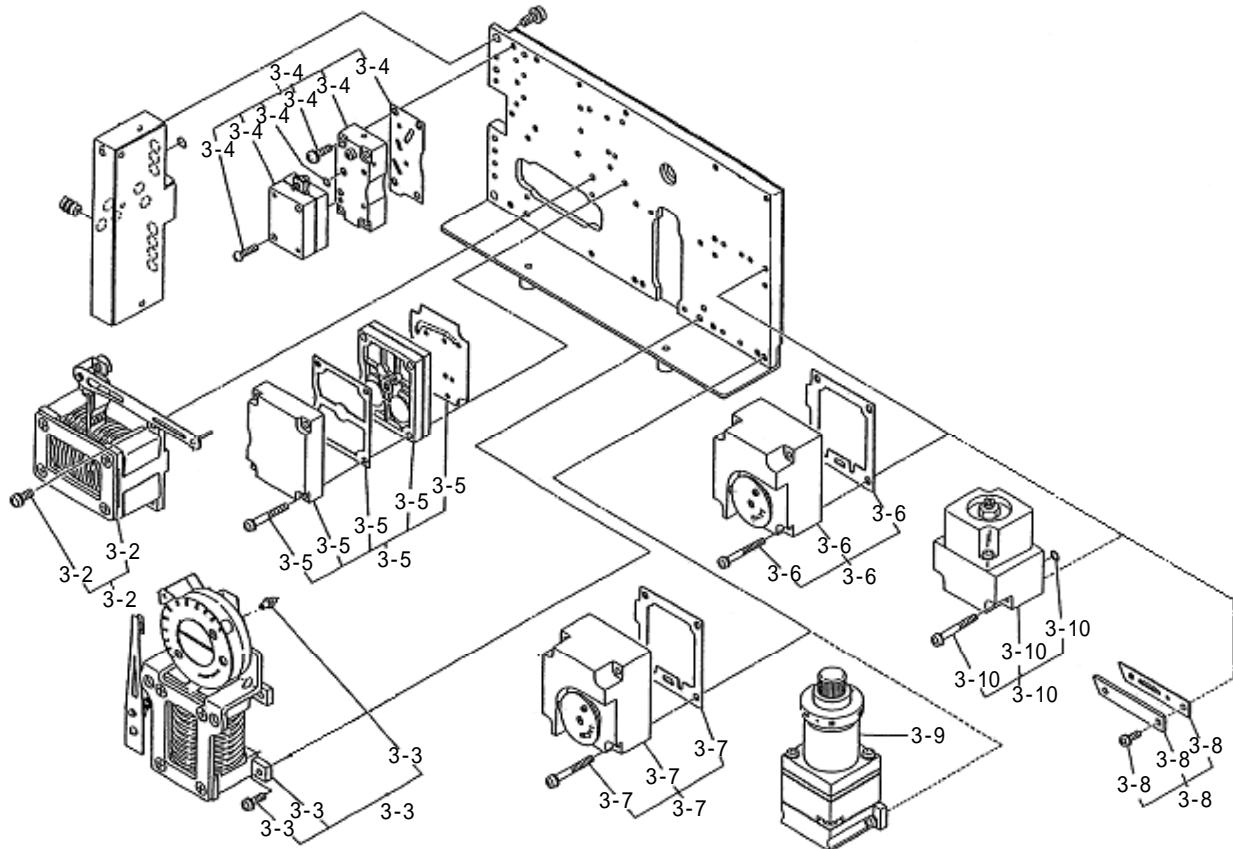


2008/1/8

| Key No. | Description | Quantity | Part No. |
|---------|------------------------------------------|----------|----------------|
| 0 | manual control unit NU(#1)B5(#4) | 1 | 80355260-00100 |
| 0 | manual control unit NU(#2)B0(#4) | 1 | 80355260-00100 |
| 0 | manual control unit NU(#3)B(#5)(#6) | 1 | 80355260-00200 |
| 0 | manual control unit NUHB9(#6) 付加仕様 D.B付 | 1 | 80355260-00300 |
| 0 | manual control unit NUHB9(#6) 付加仕様 D.B無し | 1 | 80355261-00100 |
| 1 | filter | 1 | 80069548-00100 |

- #1= L , C , R
- #2= L , S
- #3= L , C , S , R
- #4= 1 , 2 , 3 , 5
- #5= 0 , 5
- #6= 0 , 9

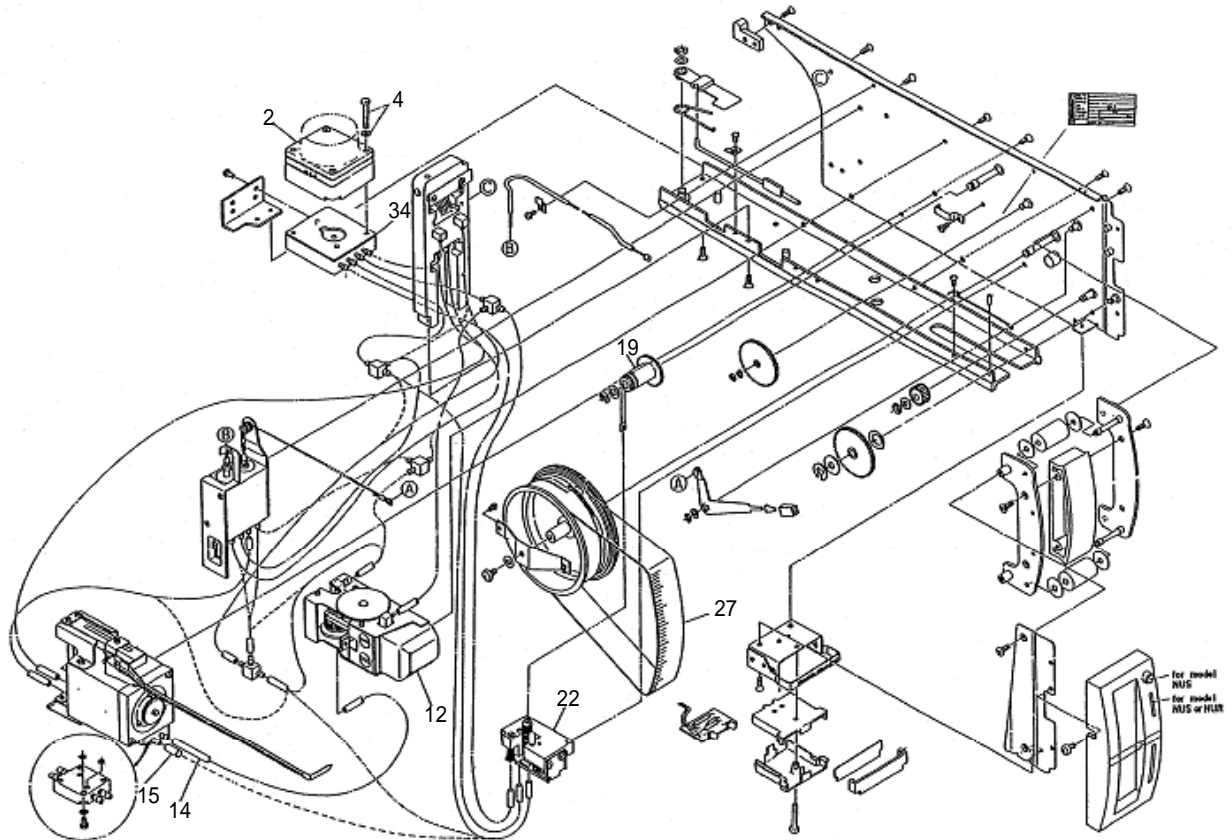
Vumatik 8000 Controller
Control Unit



2008/1/8

| Key No. | Description | Quantity | Part No. |
|---------|----------------------------------------------------|----------|----------------|
| 0 | control unit P-mode NULB51,01 | 1 | 80355000-00100 |
| 0 | control unit PI-mode NULB52,02 | 1 | 80355000-00200 |
| 0 | control unit PID-mode NULB53,03 | 1 | 80355000-00300 |
| 0 | control unit PI Batch mode NULB55,05 | 1 | 80355000-00500 |
| 0 | control unit P-mode NUEB91 | 1 | 80355000-10100 |
| 0 | control unit PI-mode NUEB92 | 1 | 80355000-10200 |
| 0 | control unit PID-mode NUEB93 | 1 | 80355000-10300 |
| 0 | control unit PI Batch mode NUEB95 | 1 | 80355000-10500 |
| 3-2 | P module dev. Unit kit | 1 | 80355010-00100 |
| 3-3 | P module F.B. Unit kit | 1 | 80355040-00100 |
| 3-4 | comparator Kit , for P-mode | 1 | 80355070-00100 |
| 3-4 | comparator Kit , for PI & PID mode , PI batch mode | 1 | 80355070-00200 |
| 3-5 | CO switch kit , for P-mode | 1 | 80355090-00100 |
| 3-5 | CO switch kit , for PI & PID mode , PI batch mode | 1 | 80355090-00200 |
| 3-6 | rate unit kit , for PID-mode | 1 | 80355110-00200 |
| 3-7 | reset unit kit , for PI & PID mode , PI batch mode | 1 | 80355110-00100 |
| 3-8 | seal plate kit , for P-mode | 1 | 80355170-00100 |
| 3-8 | seal plate kit , for PI-mode | 1 | 80355170-00200 |
| 3-9 | manual reset regulator kit , for P-mode | 1 | 80355150-00100 |
| 3-10 | batch unit kit , for PI batch mode | 1 | 80355180-00100 |

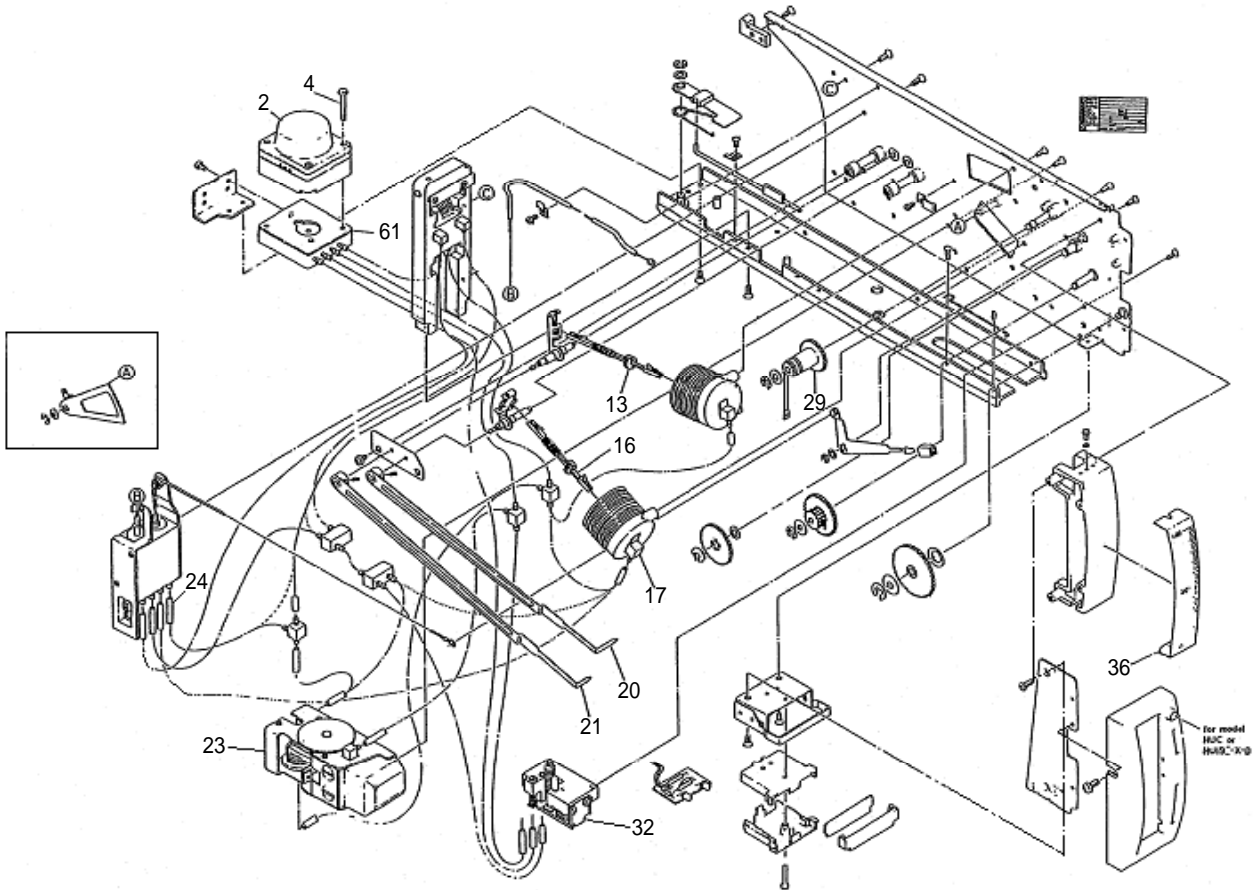
Vumatik 8000 Indicating Control Station (NULB00,09)
Upper Chassis Portion



2008/1/8

| Key No. | Description | Quantity | Part No. |
|---------|-------------------------------------------|----------|----------------|
| 2 | pilot relay assembly | 1 | 80068834-00200 |
| 4 | screw | 2 | 80332619-00100 |
| 12 | monitor switch unit (PV , high) | 1 | 80069139-00100 |
| 12 | monitor switch unit (PV , low) | 1 | 80069139-00200 |
| 12 | monitor switch unit (PV , high and low) | 1 | 80069139-00300 |
| 12 | monitor switch unit (Deviation) | 1 | 80069135-00100 |
| 14 | tube | 2 | 80068560-00110 |
| 15 | gum cap , w/o monitor switch | 1 | 80066375-00200 |
| 19 | pulley assembly | 1 | 80068854-00100 |
| 22 | SP setting unit | 1 | 80355230-00100 |
| 27 | scale | 1 | 80234065-00300 |
| 34 | gasket | 1 | 80068390-00100 |

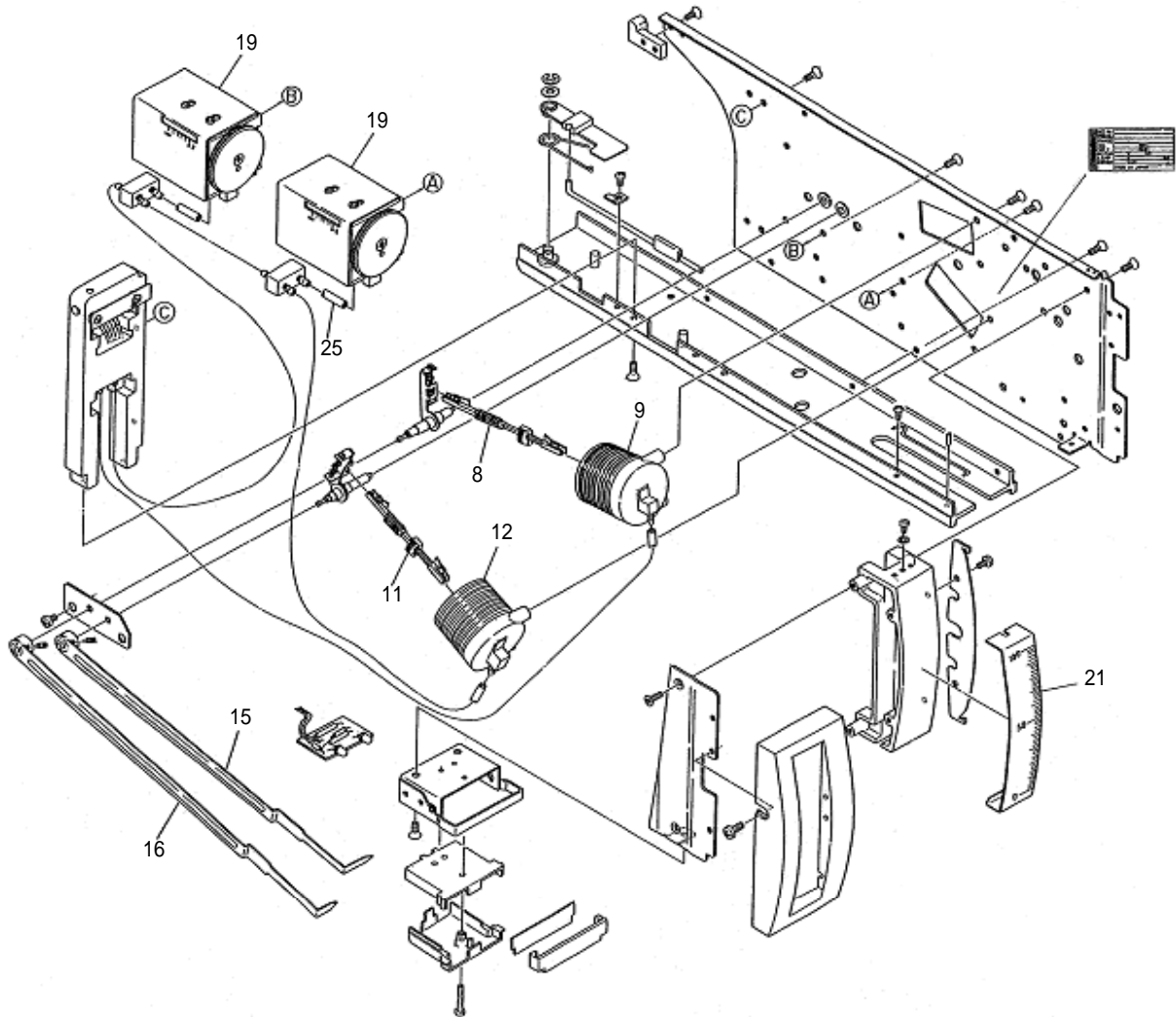
Vumatik 8000 Indicator (NULB50,59)
Upper Chassis Portion



2008/1/8

| Key No. | Description | Quantity | Part No. |
|---------|-------------------------------------------|----------|----------------|
| 2 | pilot relay assembly | 1 | 80068834-00200 |
| 4 | screw | 2 | 80332619-00100 |
| 13 | overtravel link | 1 | 80025084-00100 |
| 16 | overtravel link | 1 | 80068252-00100 |
| 17 | bellows assembly | 1 | 80068656-00100 |
| 20 | pointer | 1 | 80068681-00500 |
| 21 | pointer | 1 | 80068681-00700 |
| 23 | monitor switch unit (PV , high) | 1 | 80069139-00100 |
| 23 | monitor switch unit (PV , low) | 1 | 80069139-00200 |
| 23 | monitor switch unit (PV , high and low) | 1 | 80069139-00300 |
| 23 | monitor switch unit (Deviation) | 1 | 80069135-00100 |
| 24 | tube | 2 | 80068560-00110 |
| 29 | pulley assembly | 1 | 80068854-00300 |
| 32 | SP setting unit | 1 | 80355230-00100 |
| 36 | scale | 1 | 80068483-00300 |
| 61 | gasket | 1 | 80068390-00100 |

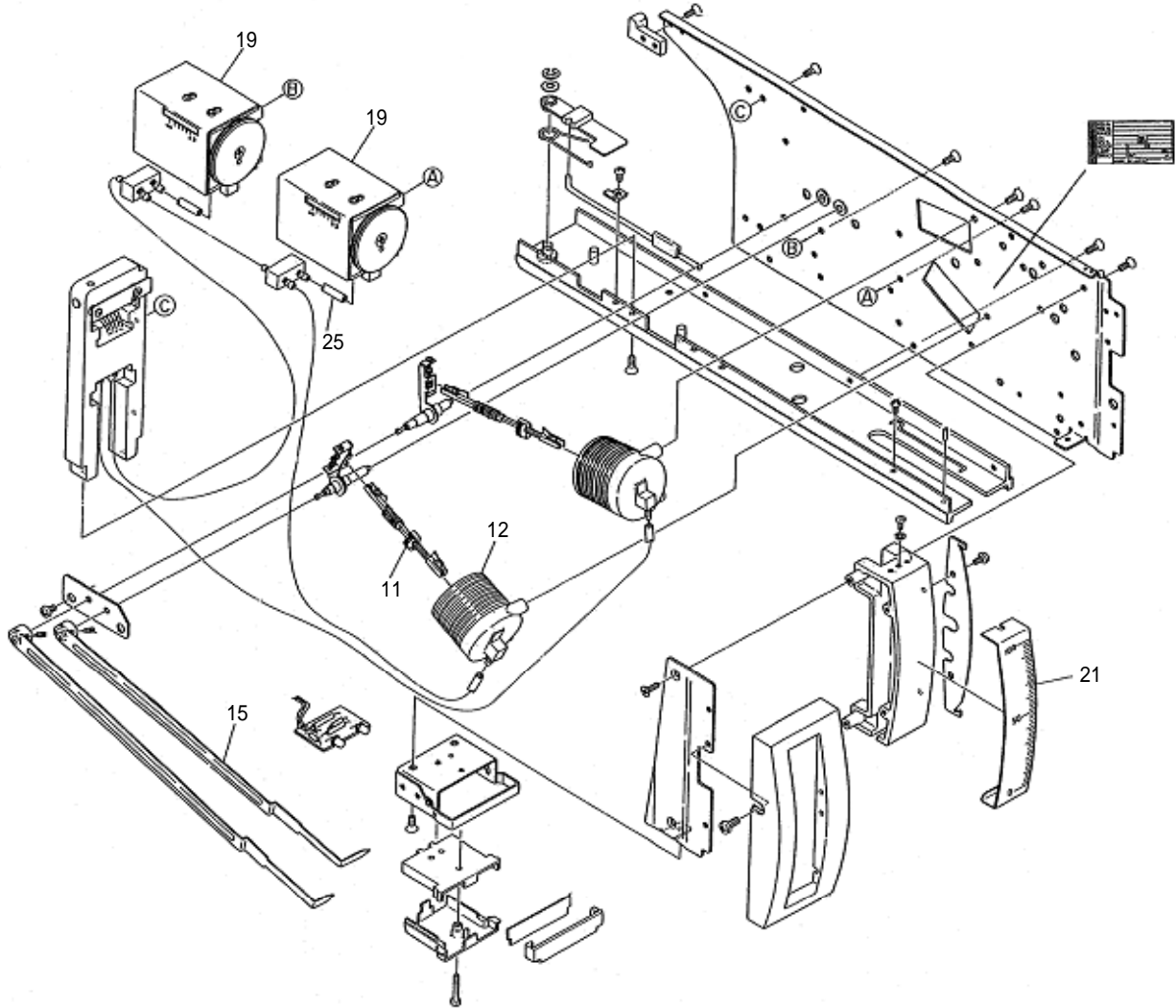
Vumatik 8000 Indicator (NUFB70,79,80,89)
Upper Chassis Portion



2008/1/8

| Key No. | Description | Quantity | Part No. |
|---------|---------------------------------|----------|----------------|
| 8 | overtravel link NUFB80,89 | 1 | 80068253-00100 |
| 9 | bellows assembly NUFB80,89 | 1 | 80068656-00200 |
| 11 | overtravel link | 1 | 80068252-00100 |
| 12 | bellows assembly | 1 | 80068656-00100 |
| 15 | pointer NUFB7 | 1 | 80068681-00500 |
| 15 | pointer NUFB8 | 1 | 80068681-00600 |
| 16 | pointer NUFB8 | 1 | 80068681-00400 |
| 19 | PV monitor switch unit, 1-point | 1 | 80069007-00100 |
| 19 | PV monitor switch unit, 2-point | 2 | 80069007-00100 |
| 21 | scale NUFB7 | 1 | 80068483-00300 |
| 21 | scale NUFB8 | 2 | 80068483-00200 |
| 25 | tube | 2 | 80068560-00110 |

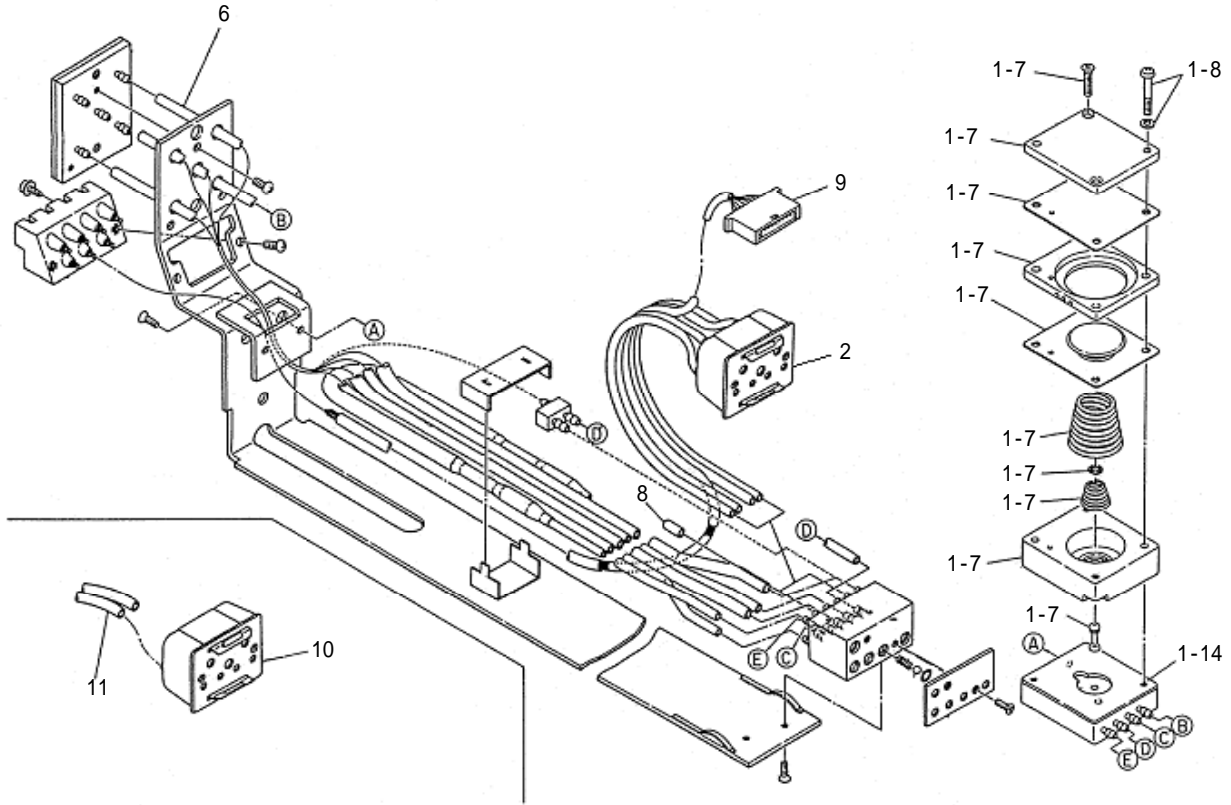
Vumatik 8000 Indicator (NUHB90,99-X- F)
Upper Chassis Portion



2008/1/8

| Key No. | Description | Quantity | Part No. |
|---------|---------------------------------|----------|----------------|
| 11 | overtravel link | 1 | 80068252-00100 |
| 12 | bellows assembly | 1 | 80068656-00100 |
| 15 | pointer | 1 | 80068681-00500 |
| 19 | PV monitor switch unit, 1-point | 1 | 80069007-00100 |
| 19 | PV monitor switch unit, 2-point | 2 | 80069007-00100 |
| 21 | scale | 1 | 80068483-00300 |
| 25 | tube | 2 | 80068560-00110 |

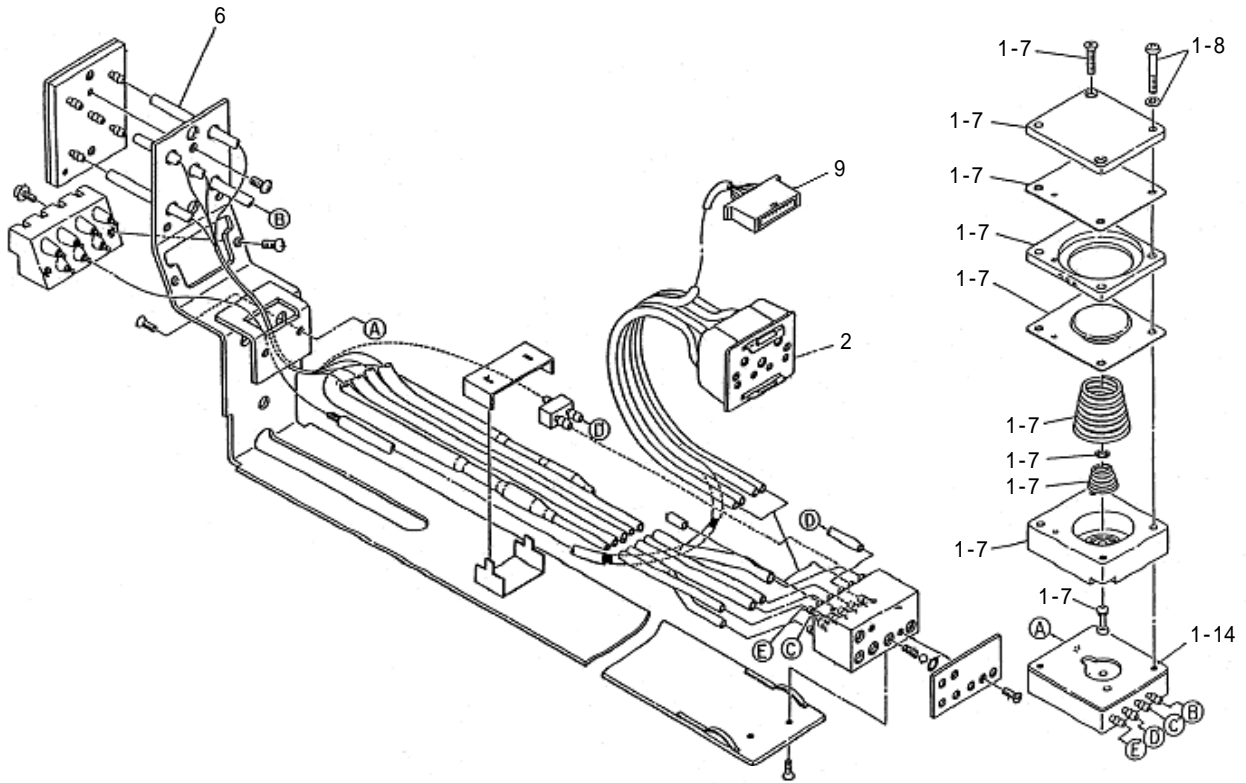
Vumatik 8000 Indicator (NUHB90)
Lower Chassis (Standard)



2008/1/8

| Key No. | Description | Quantity | Part No. |
|---------|-----------------------------------------------------|----------|----------------|
| 1-7 | pilot relay assembly | 1 | 80068834-00100 |
| 1-8 | screw | 2 | 80332619-00100 |
| 1-14 | gasket | 1 | 80068390-00100 |
| 2 | quick connector "U" tube assembly NUHB90-X-B | 1 | 80355220-00800 |
| 6 | tube | 2 | 80068560-00110 |
| 8 | gum cap NUHB90-X-F, NUHB90-X-D | 1 | 80066375-00200 |
| 9 | cable connector assembly NUHB90-X-F with alarm lamp | 1 | 80355216-00100 |
| 9 | cable connector assembly NUHB90-X-D with alarm lamp | 1 | 80355216-00100 |
| 9 | cable connector assembly NUHB90-X-B with alarm lamp | 1 | 80355215-00100 |
| 10 | quick connector NUHB90-X-F, NUHB90-X-D | 1 | 80355221-00300 |
| 11 | twin tube NUHB90-X-F, NUHB90-X-D | 1 | 80068898-00200 |

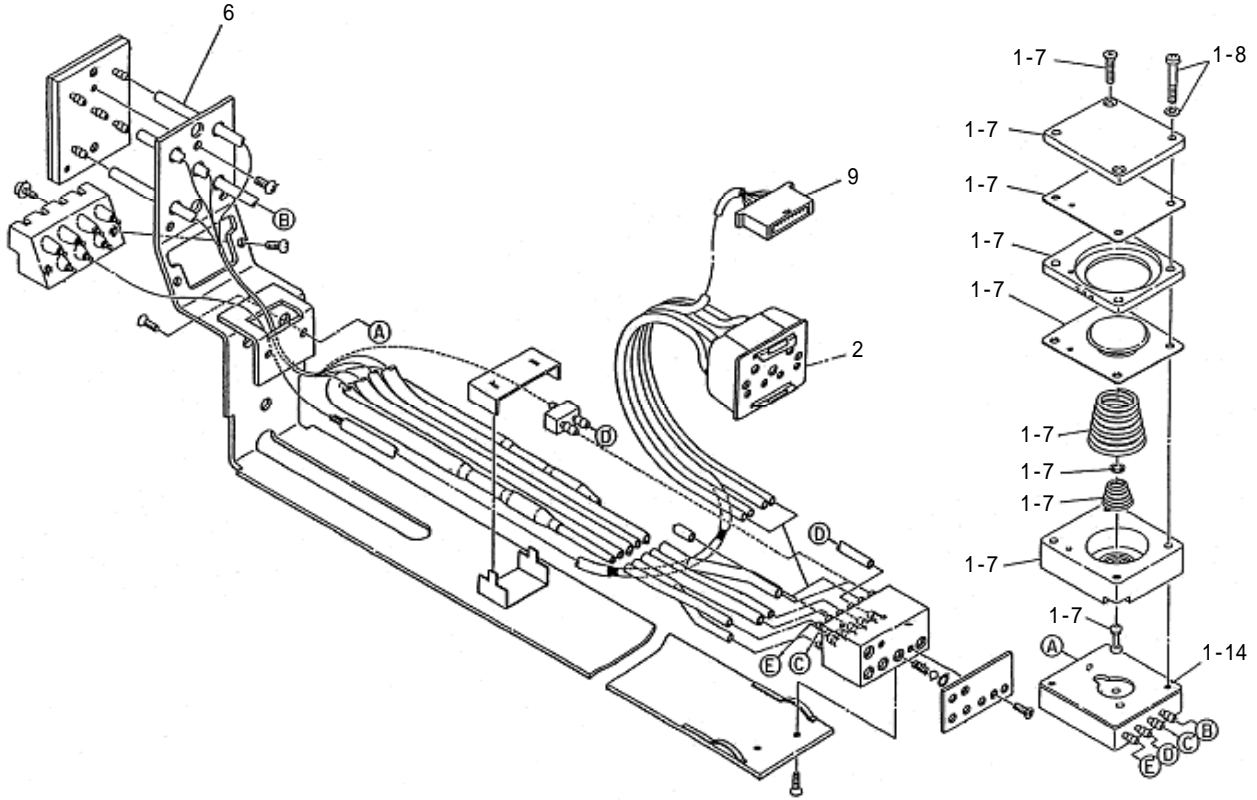
Vumatik 8000 Indicator (NULB00)
Lower Chassis (Standard)



2008/1/8

| Key No. | Description | Quantity | Part No. |
|---------|-----------------------------------|----------|----------------|
| 1-7 | pilot relay assembly | 1 | 80068834-00100 |
| 1-8 | screw | 2 | 80332619-00100 |
| 1-14 | gasket | 1 | 80068390-00100 |
| 2 | quick connector "U" tube assembly | 1 | 80355220-00800 |
| 6 | tube | 2 | 80068560-00110 |
| 9 | cable connector assembly | 1 | 80355215-00100 |

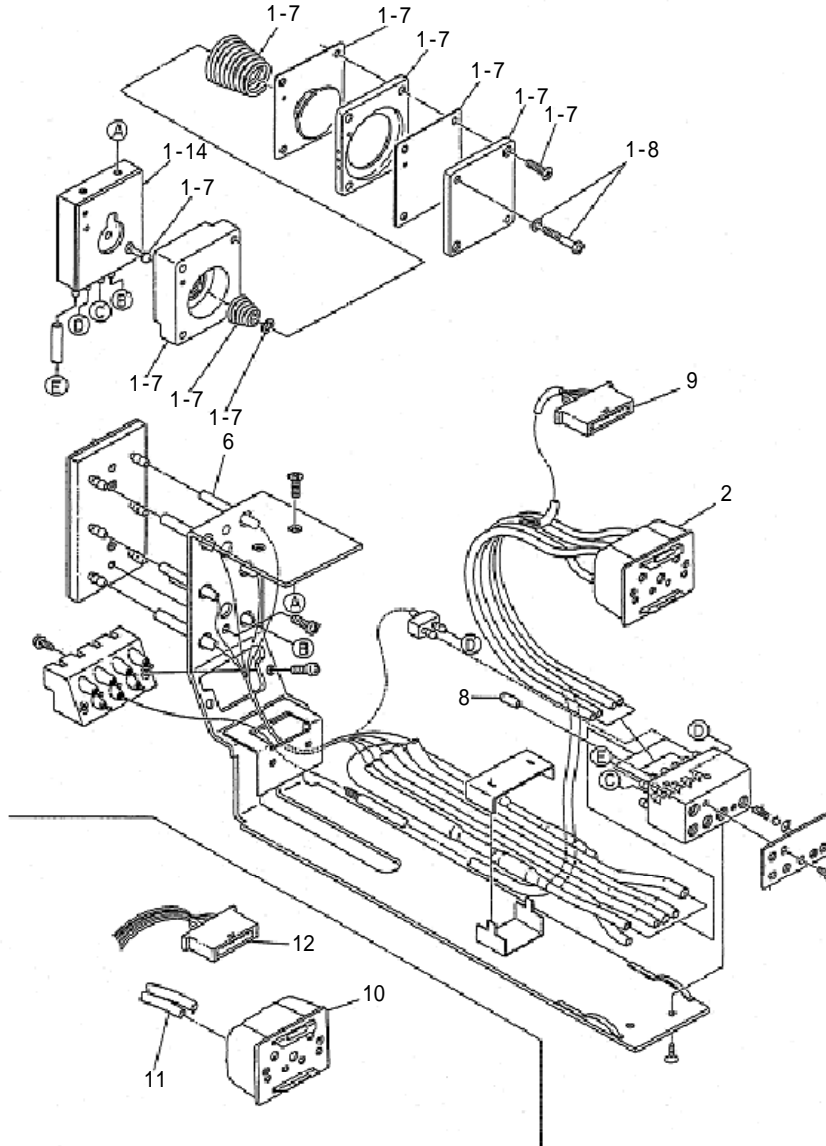
Vumatik 8000 Indicator (NULB50)
Lower Chassis Portion



2008/1/8

| Key No. | Description | Quantity | Part No. |
|---------|-----------------------------------|----------|----------------|
| 1-7 | pilot relay assembly | 1 | 80068834-00100 |
| 1-8 | screw | 2 | 80332619-00100 |
| 1-14 | gasket | 1 | 80068390-00100 |
| 2 | quick connector "U" tube assembly | 1 | 80355220-00800 |
| 6 | tube | 2 | 80068560-00110 |
| 9 | cable connector assembly | 1 | 80355215-00100 |

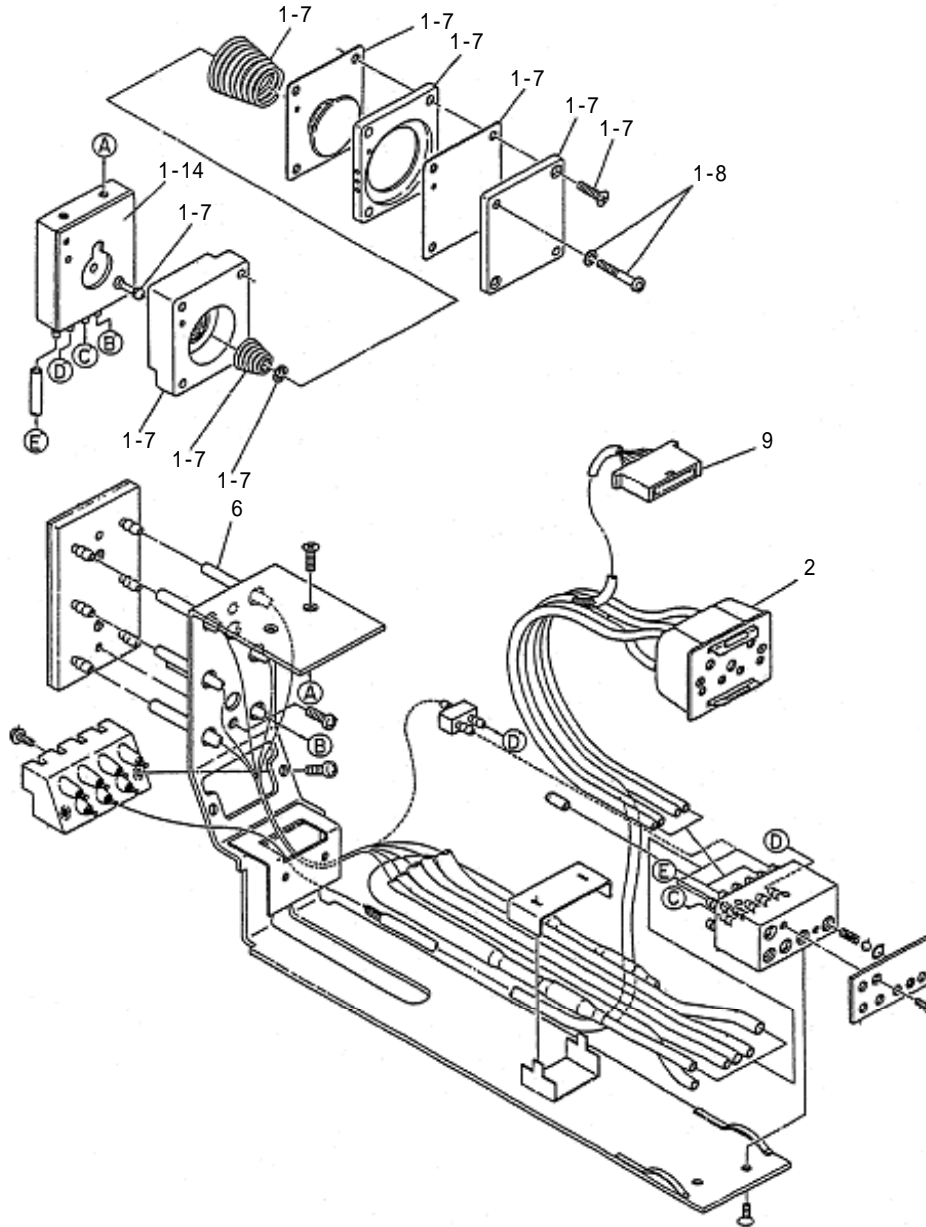
Vumatik 8000 Indicator (NUHB99)
Lower Chassis (Short)



2008/1/8

| Key No. | Description | Quantity | Part No. |
|---------|-----------------------------------------------------|----------|----------------|
| 1-7 | pilot relay assembly | 1 | 80068834-00100 |
| 1-8 | screw | 2 | 80332619-00100 |
| 1-14 | gasket | 1 | 80068390-00100 |
| 2 | quick connector "U" tube assembly NUHB99-X-B | 1 | 80355220-00200 |
| 6 | tube | 2 | 80068560-00110 |
| 8 | gum cap NUHB99-X-F, NUHB99-X-D | 1 | 80066375-00200 |
| 9 | cable connector assembly NUHB99-X-B with alarm lamp | 1 | 80355215-00300 |
| 10 | quick connector NUHB99-X-F with alarm lamp | 1 | 80355221-00300 |
| 10 | quick connector NUHB99-X-D with alarm lamp | 1 | 80355221-00200 |
| 11 | tube | 1 | 80068898-00200 |
| 12 | cable connector assembly NUHB99-X-F with alarm lamp | 1 | 80355216-00200 |
| 12 | cable connector assembly NUHB99-X-D with alarm lamp | 1 | 80355216-00200 |

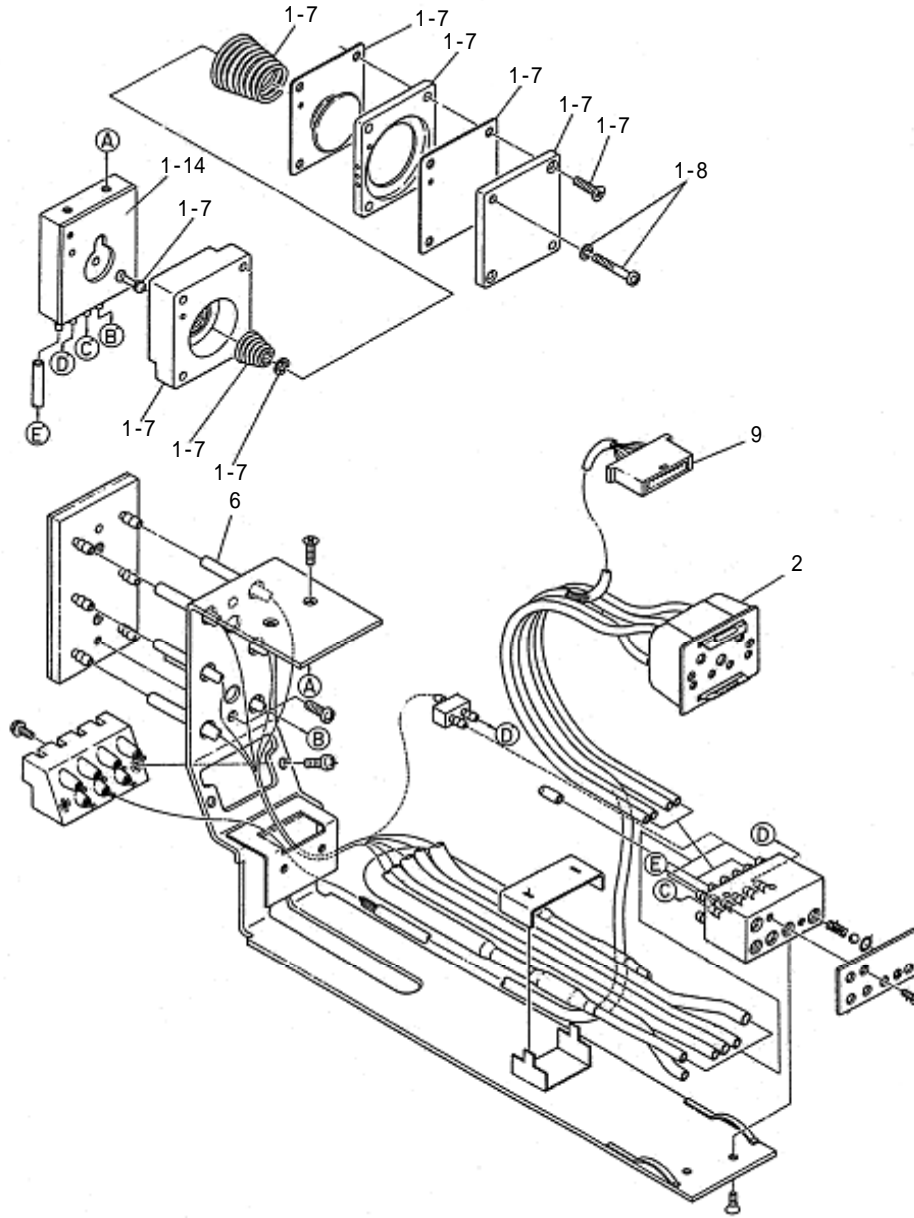
Vumatik 8000 Indicator (NULB09)
Lower Chassis (Short)



2008/1/8

| Key No. | Description | Quantity | Part No. |
|---------|-----------------------------------|----------|----------------|
| 1-7 | pilot relay assembly | 1 | 80068834-00100 |
| 1-8 | screw | 2 | 80332619-00100 |
| 1-14 | gasket | 1 | 80068390-00100 |
| 2 | quick connector "U" tube assembly | 1 | 80355220-00200 |
| 6 | tube | 2 | 80068560-00110 |
| 9 | cable connector assembly | 1 | 80355215-00300 |

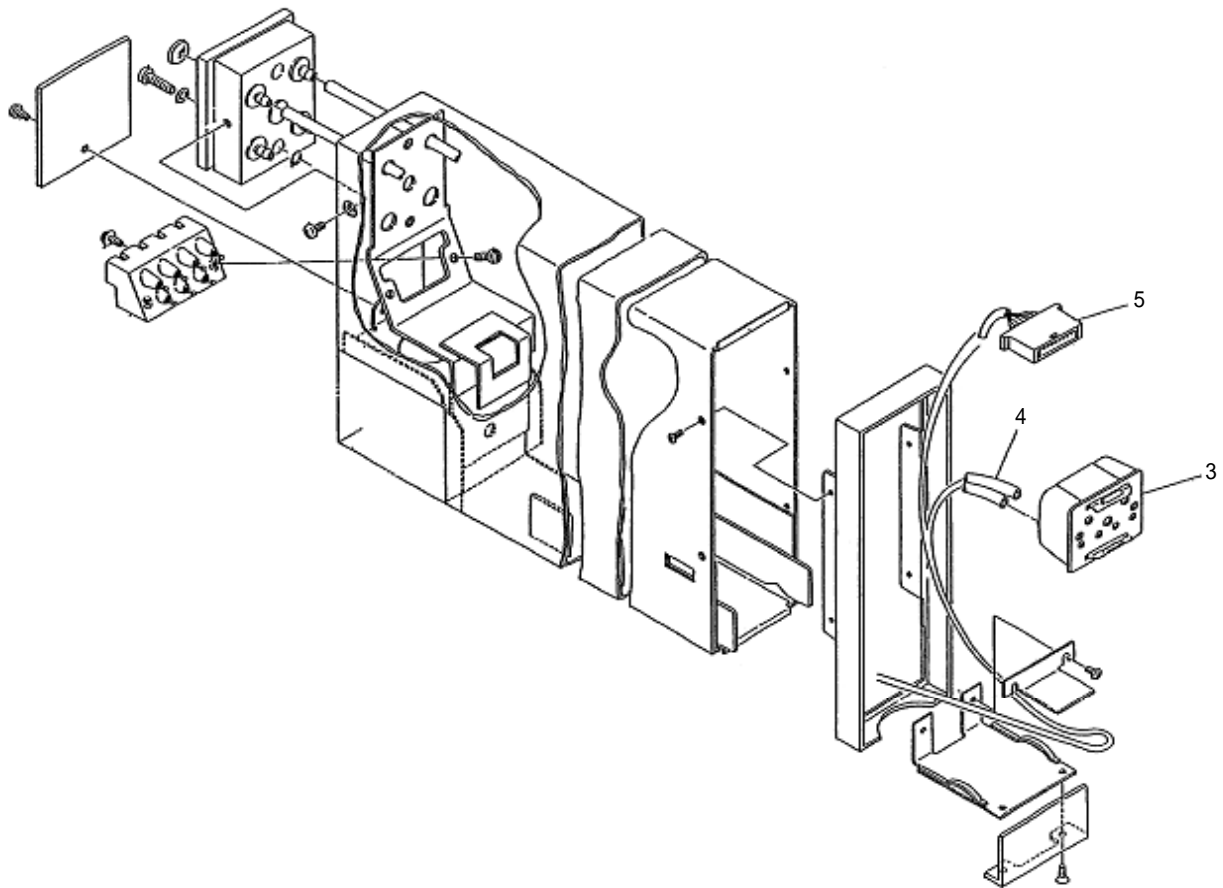
Vumatik 8000 Indicator (NULB59)
Lower Chassis (Short)



2008/1/8

| Key No. | Description | Quantity | Part No. |
|---------|-----------------------------------|----------|----------------|
| 1-7 | pilot relay assembly | 1 | 80068834-00100 |
| 1-8 | screw | 2 | 80332619-00100 |
| 1-14 | gasket | 1 | 80068390-00100 |
| 2 | quick connector "U" tube assembly | 1 | 80355220-00200 |
| 6 | tube | 2 | 80068560-00110 |
| 9 | cable connector assembly | 1 | 80355215-00300 |

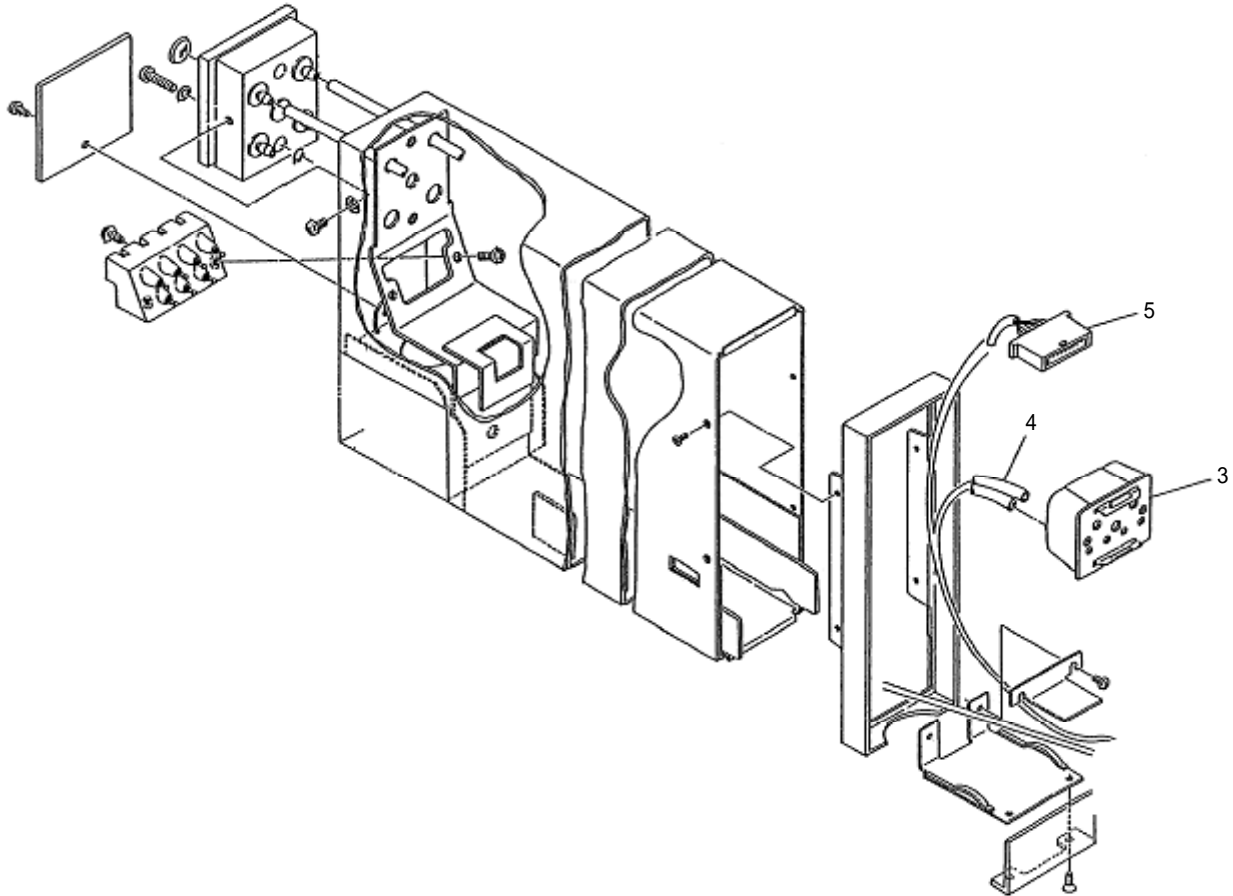
Vumatik 8000 Indicator (NUFB70,79,80,89)
Case Assembly



2008/1/8

| Key No. | Description | Quantity | Part No. |
|---------|----------------------------------------|----------|----------------|
| 3 | quick connector assembly | 1 | 80355221-00200 |
| 4 | twin tube standard case | 1 | 80068898-00300 |
| 4 | twin tube short case | 1 | 80068898-00400 |
| 5 | cable connector assembly standard case | 1 | 80355216-00300 |
| 5 | cable connector assembly short case | 1 | 80355216-00400 |

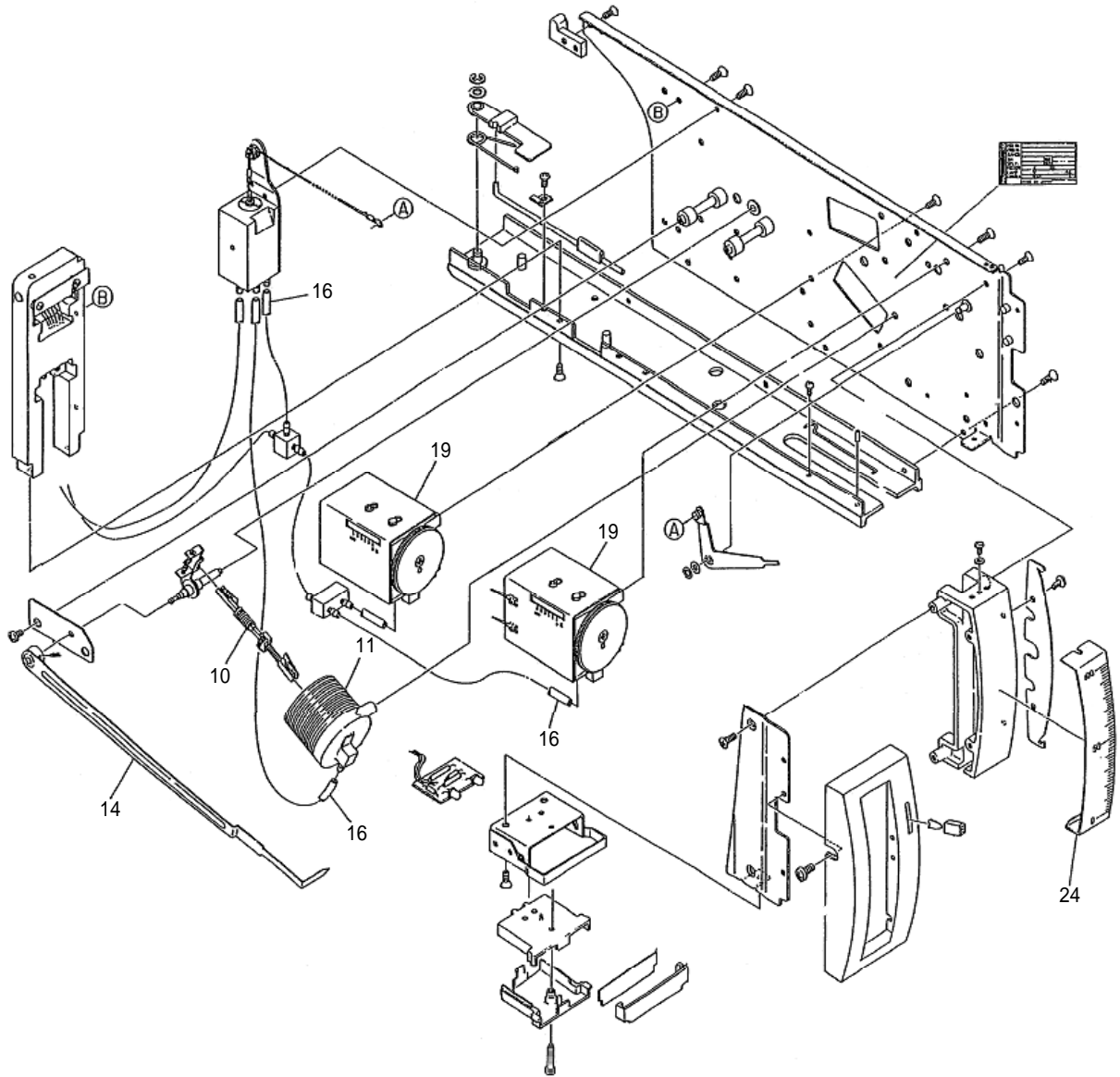
Vumatik 8000 Indicator (NUGB)
Case Assembly



2008/1/8

| Key No. | Description | Quantity | Part No. |
|---------|--------------------------------------------|----------|----------------|
| 3 | quick connector assembly | 1 | 80355221-00200 |
| 4 | twin tube for standard case | 1 | 80068898-00300 |
| 4 | twin tube for short case | 1 | 80068898-00400 |
| 5 | cable connector assembly for standard case | 1 | 80355216-00300 |
| 5 | cable connector assembly for short case | 1 | 80355216-00400 |

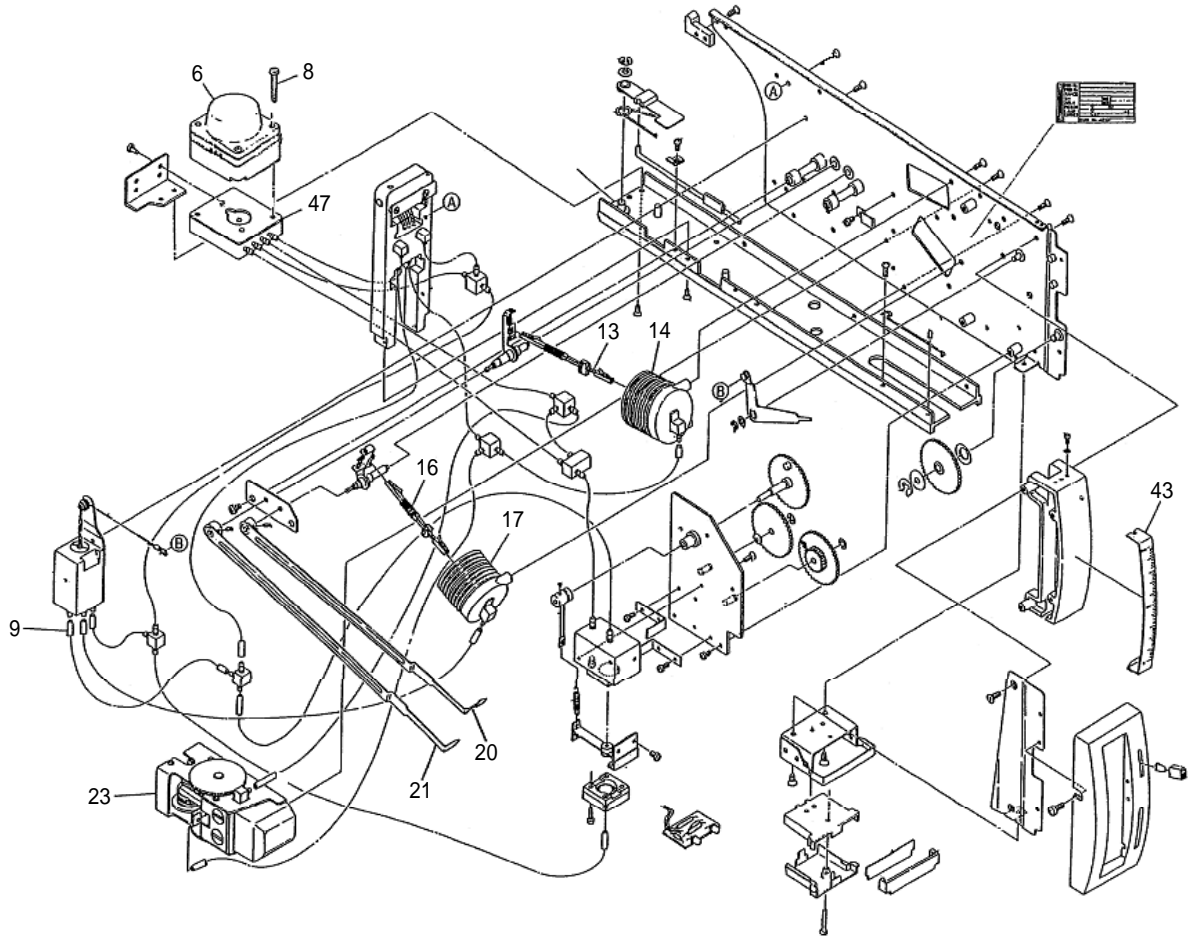
Vumatik 8000 Manual Loader (NUHB90,99-X- D)
Upper Chassis Portion



2008/1/8

| Key No . | Description | Quantity | Part No. |
|----------|--------------------------|----------|----------------|
| 10 | overtravel link | 1 | 80068252-00100 |
| 11 | bellows assembly | 1 | 80068656-00100 |
| 14 | pointer | 1 | 80068681-00500 |
| 16 | tube | 2 | 80068560-00110 |
| 19 | PV monitor switch 1point | 1 | 80069007-00100 |
| 19 | PV monitor switch 2point | 2 | 80069007-00100 |
| 24 | scale | 1 | 80068483-00300 |

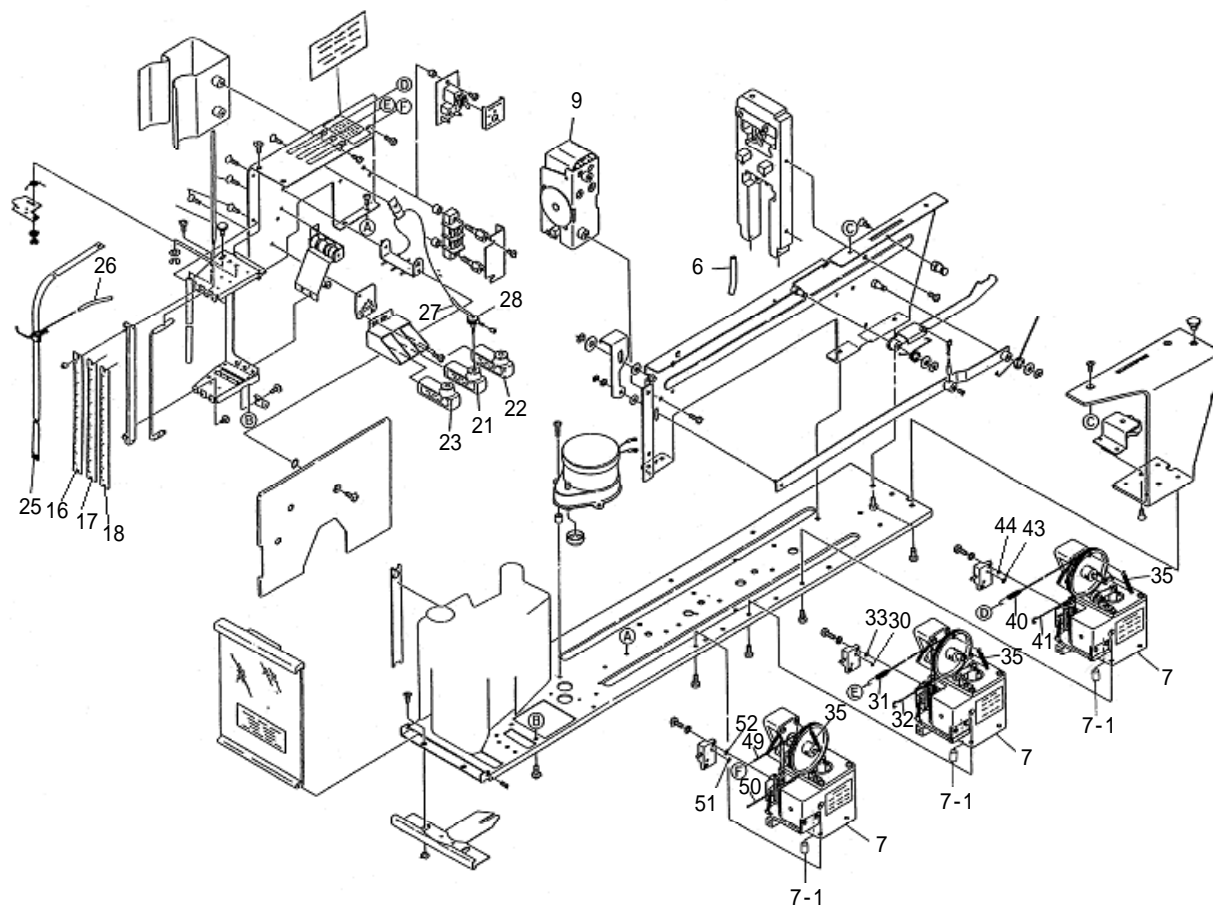
Vumatik 8000 Manual Loader (NUHB90,99-X- B)
Upper Chassis Portion



2008/1/8

| Key No. | Description | Quantity | Part No. |
|---------|----------------------------------------|----------|----------------|
| 6 | pilot relay assembly | 1 | 80068834-00200 |
| 8 | screw | 2 | 80332619-00100 |
| 9 | tube | 2 | 80068560-00110 |
| 13 | overtravel link | 1 | 80068253-00100 |
| 14 | bellows assembly | 1 | 80068656-00200 |
| 16 | overtravel link | 1 | 80068252-00100 |
| 17 | bellows assembly | 1 | 80068656-00100 |
| 20 | pointer | 1 | 80068681-00800 |
| 21 | pointer | 1 | 80068681-00400 |
| 23 | PV monitor switch unit, (high) | 1 | 80069139-00100 |
| 23 | PV monitor switch unit, (low) | 1 | 80069139-00200 |
| 23 | PV monitor switch unit, (high and low) | 1 | 80069139-00300 |
| 43 | scale | 1 | 80068483-00200 |
| 47 | gasket | 1 | 80068390-00100 |

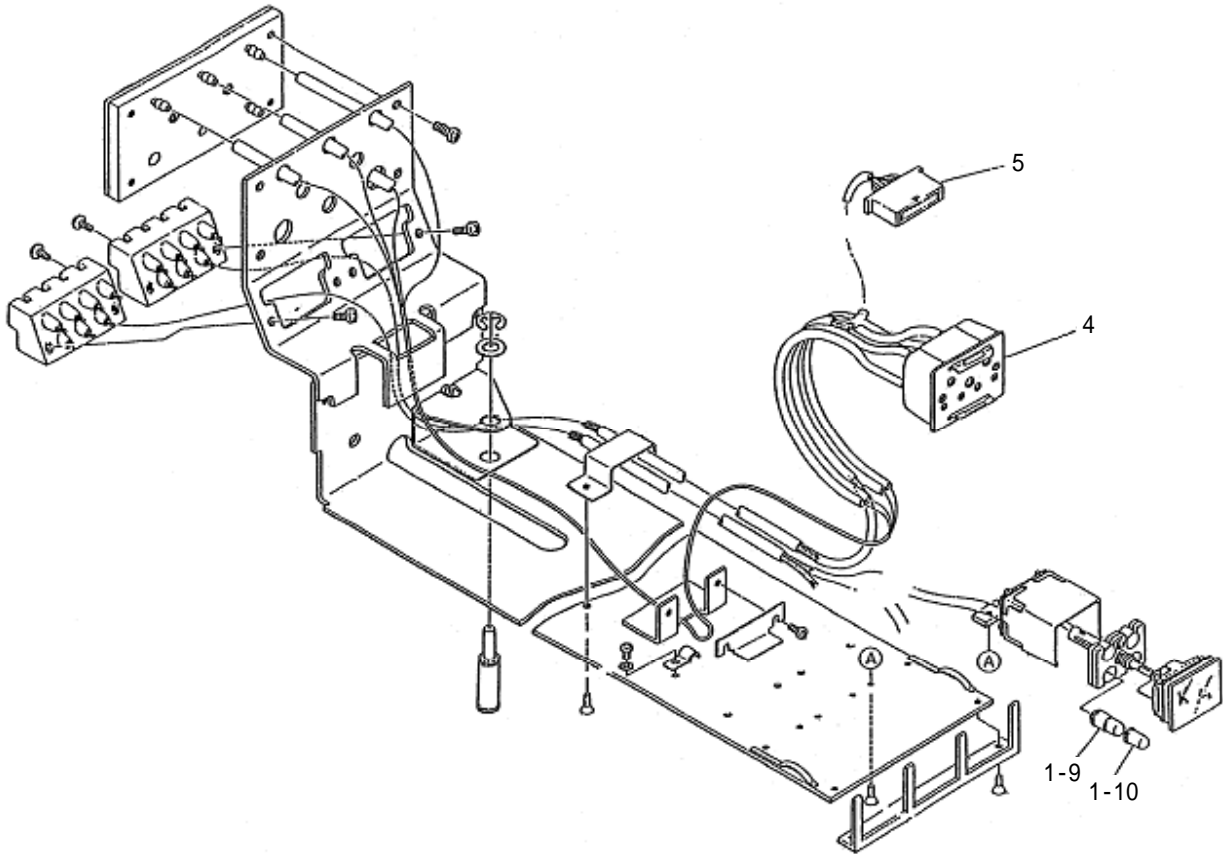
Vumatik 8000 Recorder (NUXB)
Upper Chassis Portion



2008/1/8

| Key No. | Description | Quantity | Part No. |
|---------|------------------------------------------------------------|----------|----------------|
| 6 | tube | 2 | 80068560-00110 |
| 7 | servo unit (Qty = recording pen qty) 旧A - 9No.80069756-001 | 1-3 | 82737084-00100 |
| 7-1 | filter | 1 | 80066126-00100 |
| 9 | monitor switch unit (PV , high) | 1 | 80069139-00100 |
| 9 | monitor switch unit (PV , low) | 1 | 80069139-00200 |
| 9 | monitor switch unit (PV , high and low) | 1 | 80069139-00300 |
| 16 | scale , for 2nd pen | 1 | 80233928-00100 |
| 17 | scale | 1 | 80233928-00100 |
| 18 | scale , for 3rd pen | 1 | 80233928-00100 |
| 21 | ink cartridge(red) , for 1st pen | 1 | 80234521-00100 |
| 22 | ink cartridge(blue) , for 2nd pen | 1 | 80234521-00200 |
| 23 | ink cartridge(green) , for 3rd pen | 1 | 80234521-00300 |
| 25 | drive tape assembly , for 1st pen (red) | 1 | 80331860-00100 |
| 25 | drive tape assembly , for 2nd pen (blue) | 1 | 80331860-00200 |
| 25 | drive tape assembly , for 3rd pen (green) | 1 | 80331860-00300 |
| 26 | neoprene tube (Qty = recording pen qty) | 1-3 | 80233972-00100 |
| 27 | tube (Qty = recording pen qty) | 1-3 | 80234543-00100 |
| 28 | capper (Qty = recording pen qty) | 1-3 | 80234516-00100 |
| 30 | O ring | 2 | 80020935-00900 |
| 31 | cable | 1 | 80068351-00100 |
| 32 | cable | 1 | 80068350-00100 |
| 33 | O ring | 2 | 80020935-00900 |
| 35 | spring | 1-3 | 80068113-00100 |
| 40 | cable , for 2nd pen | 1 | 80068351-00200 |
| 41 | cable , for 2nd pen | 1 | 80068350-00200 |
| 43 | O ring , for 2nd pen | 2 | 80020935-00900 |
| 44 | O ring , for 2nd pen | 2 | 80020935-00900 |
| 49 | cable , for 3rd pen | 1 | 80068351-00300 |
| 50 | cable , for 3rd pen | 1 | 80068350-00300 |
| 51 | O ring , for 3rd pen | 2 | 80020935-00900 |
| 52 | O ring , for 3rd pen | 2 | 80020935-00900 |

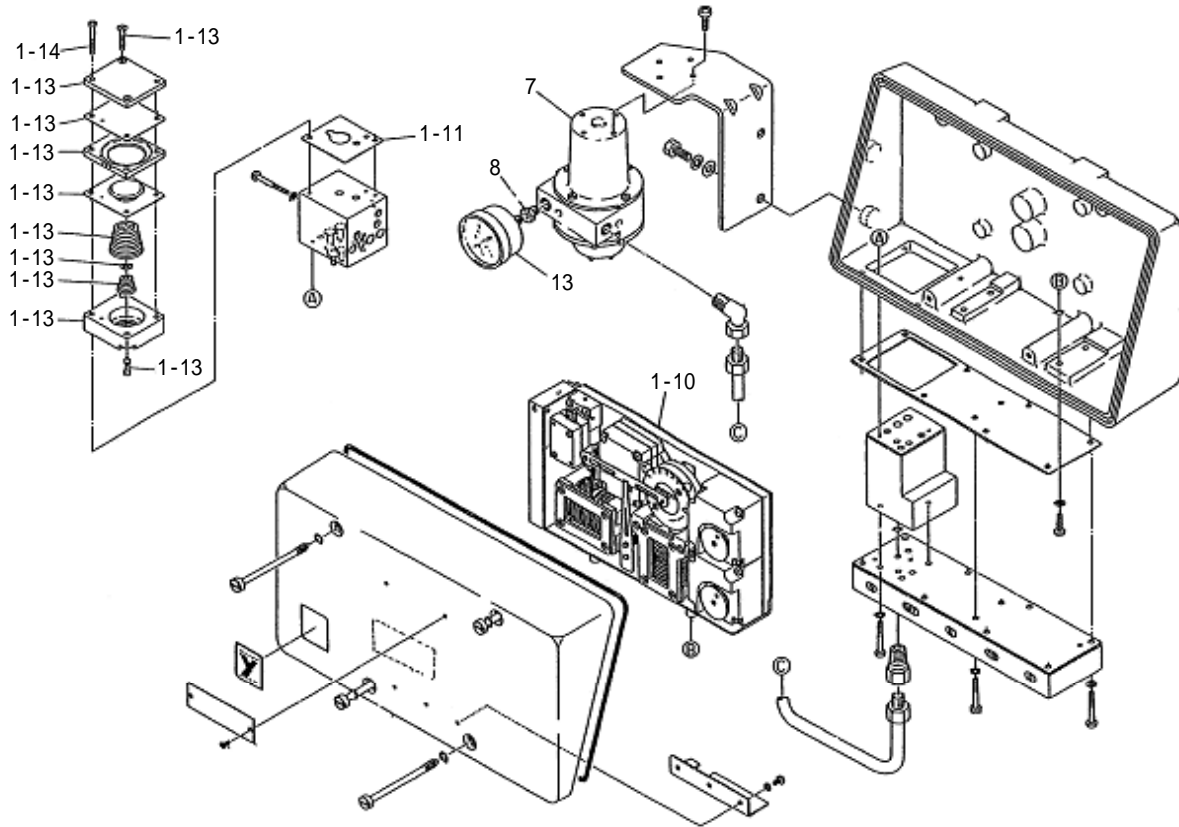
Vumatik 8000 Recorder (NUXB)
Lower Chassis



2008/1/8

| Key No. | Description | Quantity | Part No. |
|---------|-----------------------------------|----------|----------------|
| 1-9 | pilot lamp , 1-lamp case | 4 | 80231377-00100 |
| 1-9 | pilot lamp , 2-lamp case | 8 | 80231377-00100 |
| 1-9 | pilot lamp , 3-lamp case | 12 | 80231377-00100 |
| 1-10 | color filter , 1-lamp case | 4 | 80231396-00100 |
| 1-10 | color filter , 2-lamp case | 8 | 80231396-00100 |
| 1-10 | color filter , 3-lamp case | 12 | 80231396-00100 |
| 4 | quick connector "U" tube assembly | 1 | 80355220-00600 |
| 5 | cable connector assembly | 1 | 80355215-00700 |

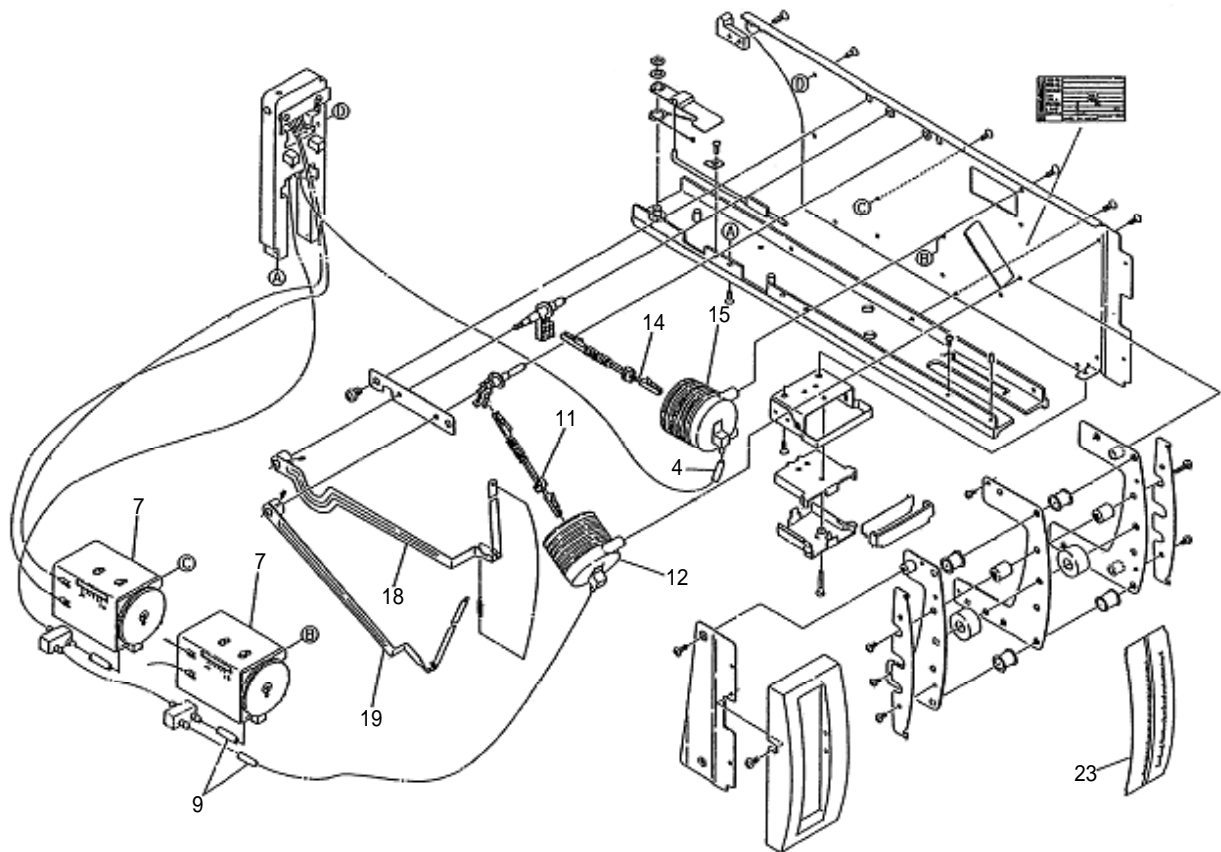
Vumatik 8000 Separate Mount Controller (NUEB9 -W)
Field Mount Type Control Unit



2008/1/8

| Key No. | Description | Quantity | Part No. |
|---------|---------------------------------------|----------|----------------|
| 1-10 | control unit | 1 | NU1-16-15-01 |
| 1-11 | gasket | 1 | 80069151-00100 |
| 1-13 | pilot relay assembly | 1 | 80068834-00300 |
| 1-14 | screw | 2 | 80332619-00100 |
| 7 | pressure regulator with filter Rc1/4 | 1 | 80330420-00100 |
| 7 | pressure regulator with filter 1/4NPT | 1 | 80330420-00200 |
| 8 | joint R1/4 Rc1/8 | 1 | 80021898-0010C |
| 8 | joint 1/4NPT Rc1/8 | 1 | 80021898-0050C |
| 13 | pressure gage:0-200KPA | 1 | 82735282-0010F |
| 13 | pressure gage:0-2BAR | 1 | 82735282-0250F |
| 13 | pressure gage:0-30psi | 1 | 82735282-0410F |

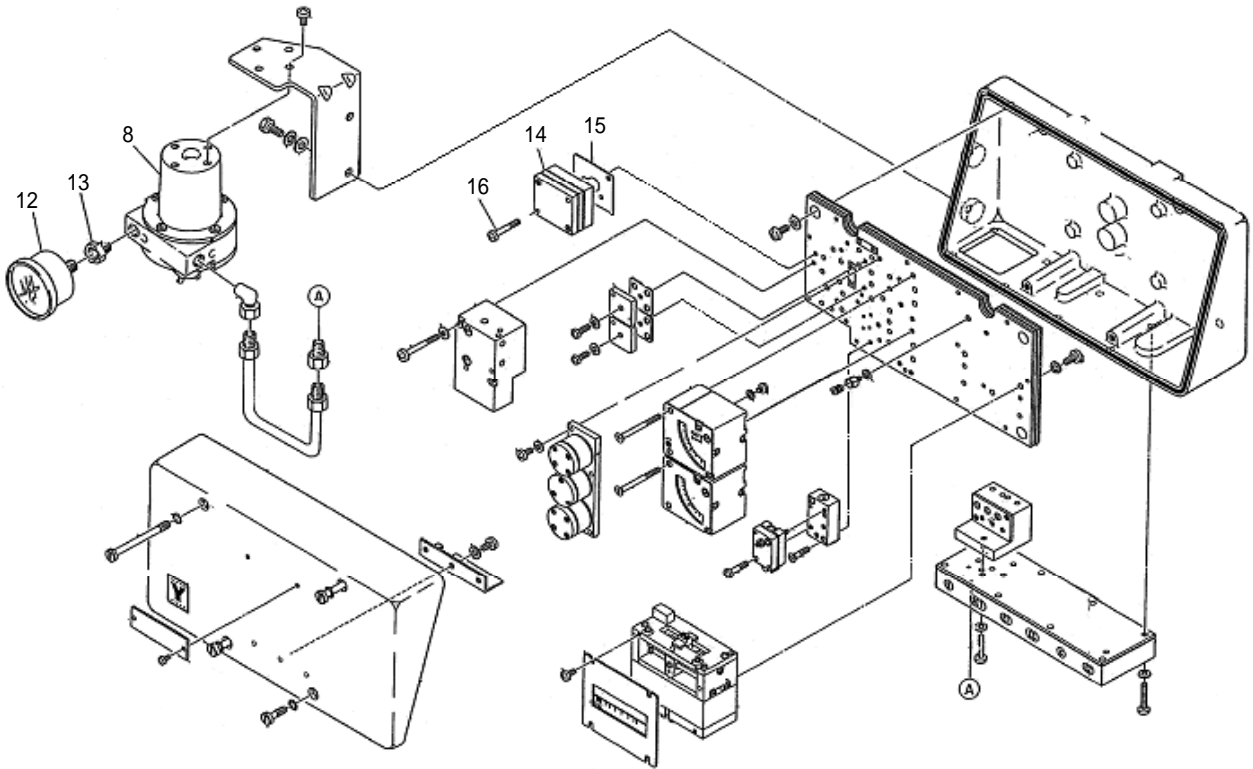
Vumatik 8000 Ribbon Indicator (NUGB)
Upper Chassis Portion



2008/1/8

| Key No. | Description | Quantity | Part No. |
|---------|--------------------------------------|----------|----------------|
| 4 | tube w/o monitor | 1 | 80068898-00100 |
| 4 | tube with monitor | 1 | 80068560-00110 |
| 7 | monitor switch unit , single monitor | 1 | 80069007-00100 |
| 7 | monitor switch unit , dual monitor | 2 | 80069007-00100 |
| 9 | tube | 1 | 80068560-00110 |
| 11 | overtravel link | 1 | 80068252-00100 |
| 12 | bellow assembly | 1 | 80068656-00200 |
| 14 | overtravel link , 2-point | 1 | 80068253-00100 |
| 15 | bellow assembly , 2-point | 1 | 80068656-00100 |
| 18 | drive tape assembly , 2-point | 1 | 80068680-00300 |
| 19 | drive tape assembly , 2-point | 1 | 80068680-00200 |
| 19 | drive tape assembly , 1-point | 1 | 80068680-00100 |
| 23 | scale , 1-point | 1 | 80234051-00100 |
| 23 | scale , 2-point | 1 | 80068236-00100 |

Vumatik 8000 Separate Mount Controller (NUMA9 -W)
Field Mount Type



2008/1/8

| Key No. | Description | Quantity | Part No. |
|---------|---------------------------------------|----------|----------------|
| 8 | pressure regulator with filter Rc1/4 | 1 | 80330420-00100 |
| 8 | pressure regulator with filter 1/4NPT | 1 | 80330420-00200 |
| 12 | pressure gage:0-200KPA | 1 | 82735282-0010F |
| 12 | pressure gage:0-2BAR | 1 | 82735282-0250F |
| 12 | pressure gage:0-30psi | 1 | 82735282-0410F |
| 13 | joint R1/4 Rc1/8 | 1 | 80021898-0010C |
| 13 | joint 1/4NPT Rc1/8 | 1 | 80021898-0050C |
| 14 | pilot relay assembly | 1 | 80068834-00100 |
| 15 | gasket | 1 | 80068390-00100 |
| 16 | screw | 2 | 80332619-00100 |