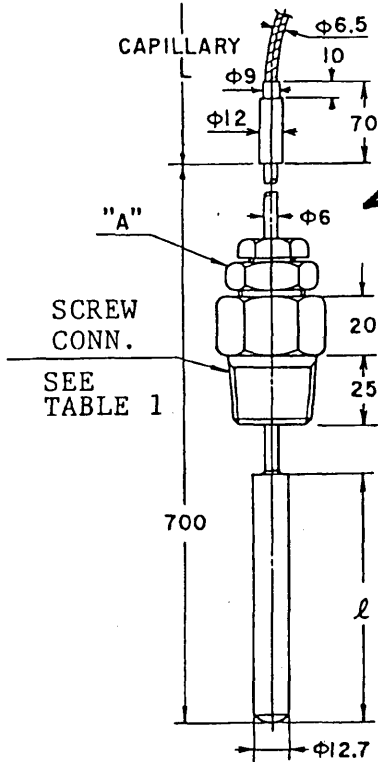


Existing Union ?

DIMENSION DRAWING

UNIT : mm



Special Union ?

< Special 1/2 NPT ? >

DETAILS OF "A"

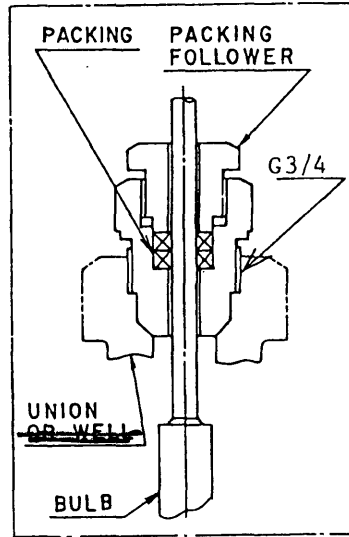


TABLE 1 SCREW CONNECTION

UNION SCREW SIZE	
R3/4 MALE	*1
3/4 NPT MALE	*2
R1 MALE	*3
1 NPT MALE	
< Special 1/2 NPT ? >	

TABLE 2 BULB DIMENSIONS

MEASURING RANGE	$l$
0 ~ 50°C	267
0 ~ 100°C	140
0 ~ 150°C	100
0 ~ 200°C	80
0 ~ 300°C	60
50 ~ 100°C	267
100 ~ 200°C	140
100 ~ 300°C	80
-50 ~ 50°C	140
-50 ~ 100°C	100

SPECIFICATIONS

CAPILLARY LENGTH

STANDARD  $L = 5m$

SEMI-STANDARD (Y160)  $L = 10m$

SENSING ELEMENT MATERIAL

CAPILLARY : SUS304

BULB : SUS304

LIQUID OF SENSOR : KEROSENE

\*1 AND \*2 : APPLICABLE RESPECTIVELY WHEN THE INSTRUMENT MODEL INCLUDES A SELECTION "A" OR "B" TO SPECIFY THE AIR PIPING CONNECTION.

\*3 TO BE MANUFACTURED AS SPECIFIED.

		9	10
		7	8
		5	6
		3	4
REV			

KF SERIES  
SENSING ELEMENT (LIQUID-FILL TYPE · W/UNION)

MODEL NO.  
KFT(A)----06----U

**YAMATAKE**  
TOKYO JAPAN

DATE '87-7-20  
REF. 80353333

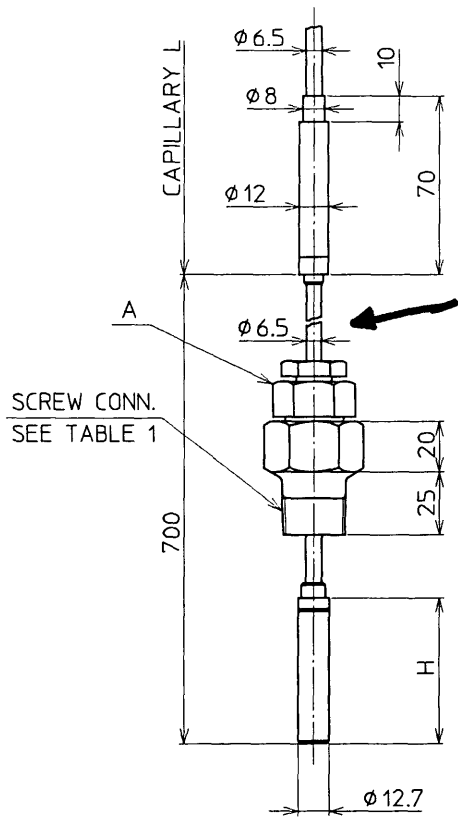
DRAWING NO.  
ED-611011-12

A B C D E

# Current Union on Well

## DIMENSION DRAWING

UNIT : mm



## DETAILS OF "A"

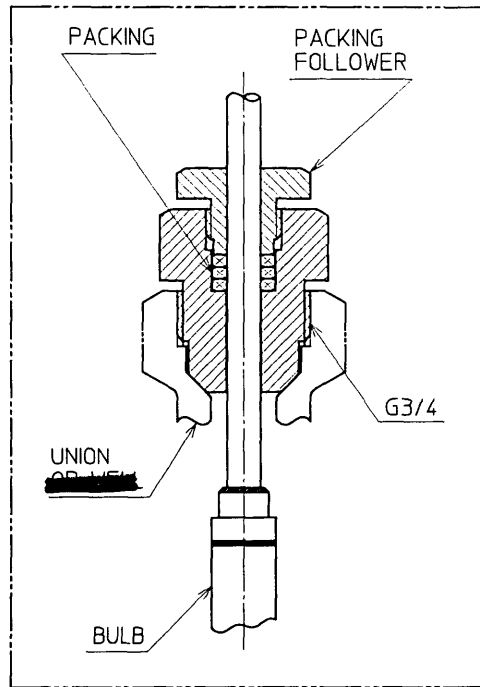


TABLE 1  
SCREW CONNECTION

UNION SCREW SIZE	
R3/4 MALE	※1
3/4NPT MALE	※2
R1 MALE	※3
1NPT MALE	

TABLE 2  
BULB DIMENSIONS

MEASURING RANGE	H	LIQUID OF SENSOR
0 - 50°C	145	KEROSENE
0 - 100°C	83	↓
0 - 150°C	66	↓
0 - 200°C	45	SILICONE
0 - 300°C	35	↓
50 - 100°C	145	KEROSENE
100 - 200°C	83	SILICONE
100 - 300°C	45	↓
-50 - 50°C	83	ETHYL ALCOHOL
-50 - 100°C	66	SILICONE

## SPECIFICATIONS

CAPILLARY LENGTH  
STANDARD L=5m  
SEMI-STANDARD (Y160) L=10m  
SENSING ELEMENT MATERIAL  
CAPILLARY : SUS304  
BULB : SUS304

※1 AND ※2 : APPLICABLE RESPECTIVELY WHEN THE INSTRUMENT MODEL INCLUDES A SELECTION A OR B TO SPECIFY THE AIR PIPING CONNECTION.

※3 TO BE MANUFACTURED AS SPECIFIED.

KF SERIES  
SENSING ELEMENT (LIQUID-FILL TYPE · W/UNION)

MODEL NO.  
KFT(A)---06---U

**YAMATAKE**

DATE 04.6.10  
REF. 82737206

DRAWING NO.  
ED-611011-16

R 1 04-11-15 kadama/fujimoto

A

B

C

D

E