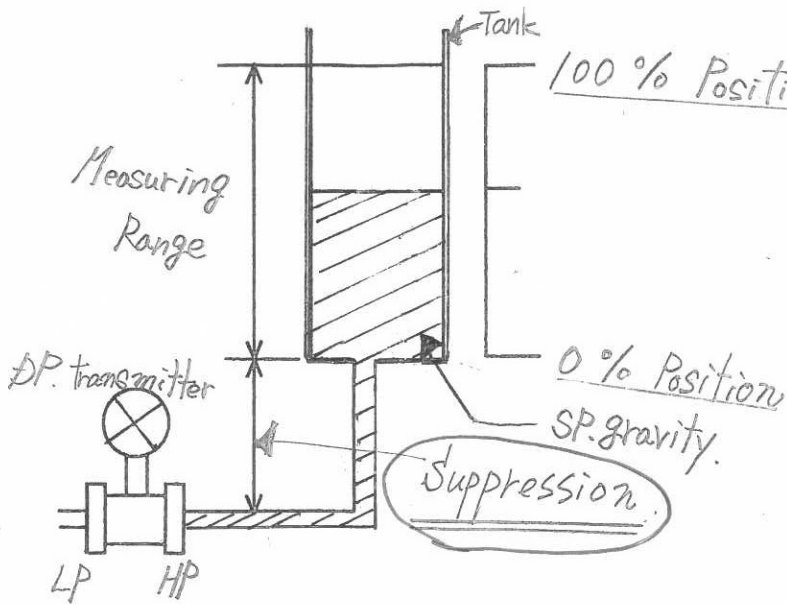


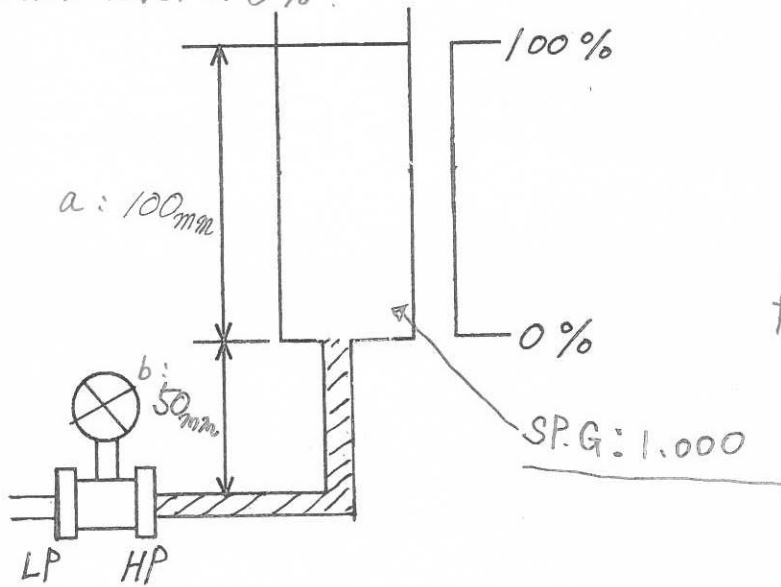
Tank Level



In the case of range: $0 \sim 100 \text{ mm H}_2\text{O}$, DP should be $0 \text{ mm H}_2\text{O}$ at the time of 0% level.

However, DP does not become $0 \text{ mm H}_2\text{O}$ as follow because there is suppression.

When level is 0%



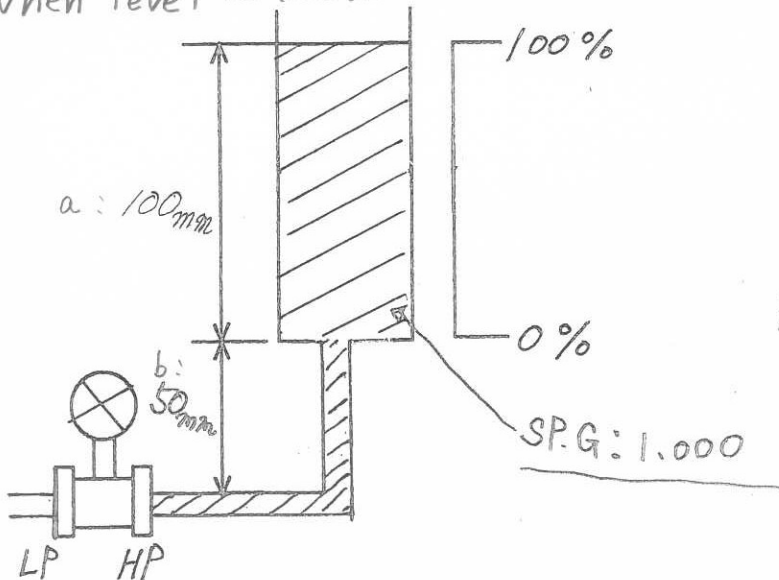
$$\begin{aligned} \text{HP} &= 50 \times 1.000 \\ &= 50 \text{ mm H}_2\text{O} \end{aligned}$$

$$\text{LP} = 0 \text{ mm H}_2\text{O}$$

$$\begin{aligned} \text{DP} &= \text{HP} - \text{LP} \\ &= 50 - 0 \\ &= 50 \text{ mm H}_2\text{O} \end{aligned}$$

↑
Suppression

When level is 100%



$$\begin{aligned} \text{HP} &= 50 \times 1.000 + 100 \times 1.000 \\ &= 150 \text{ mm H}_2\text{O} \end{aligned}$$

$$\text{LP} = 0 \text{ mm H}_2\text{O}$$

$$\begin{aligned} \text{DP} &= \text{HP} - \text{LP} \\ &= 150 - 0 \\ &= 150 \text{ mm H}_2\text{O} \end{aligned}$$

(100 mm H₂O + Suppression)