

Model NZ16

Manifold Valves for High Pressure

SPECIFICATIONS

Operating Pressure Range

-0.1 to 50 MPa {-1 to 500 kgf/cm²}

Operating Temperature Range

-40 to 120 °C

Test Pressure

75 MPa {750 kgf/cm²}

Materials

Body

SF45A (Carbon Steel) or
SUSF316 (Stainless steel)

Gasket

Teflon

Connections

Instruments Side

Threaded pipe connection with nut
(13.6 × 5 [mm dia.] nipples provided).

Process Side

½ in. socket welding

Center-to-center Dimensions

64 mm (instrument side)
110 mm (Process side)

Applicable instruments

ST921, 931, 961
KDP81, 82
KFD□ - 81, 82

Weight

6.5 kg

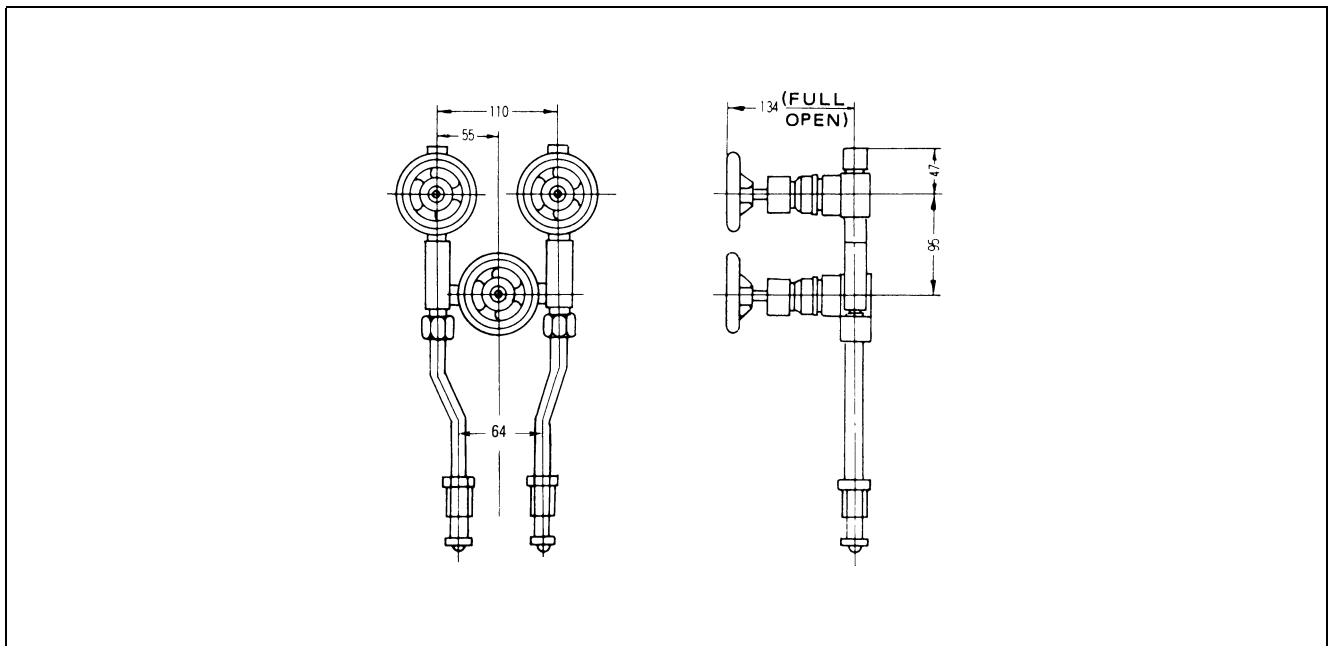


MODEL SELECTION

Ex: 1) NZ16-17R0-X

Basic Model No.		Selection			Option
NZ16					
Material	SF45A	1			
	SUSF316	2			
Process connection	Process side : 1/2 in. socket welding Instruments side : RC 1/4		7R		
	Process side : 1/2 in. socket welding Instruments side : 1/4 NPT		7N		
Mounting bracket	No selection			0	
Options	No selection				X

DIMENSIONS



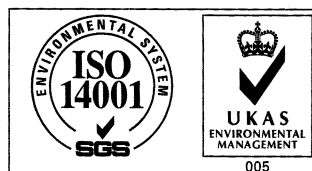
Yamatake Corporation

Totate International Building
2-12-19 Shibuya
Shibuya-ku, Tokyo 150-8316
Japan

Tel : 81-3-3486-2216
Fax : 81-3-3486-2503



Certificate No. Q17862



Certificate No. E8318
For Shonan Factory

YAMATAKE

Savemation

Saving through Automation