

Vumatik 8000 Manual Loader Model NUHB

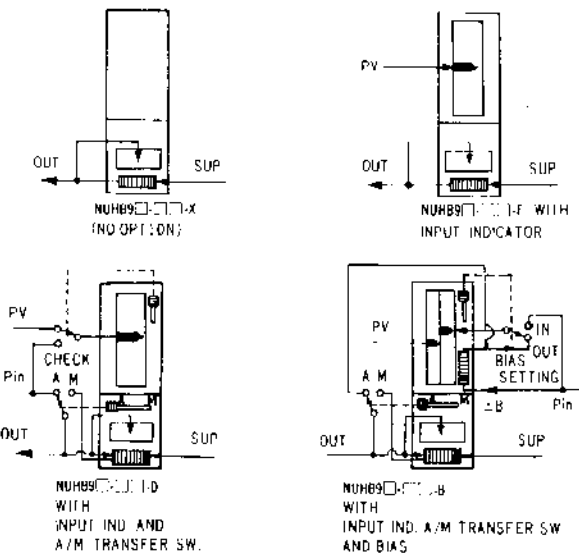
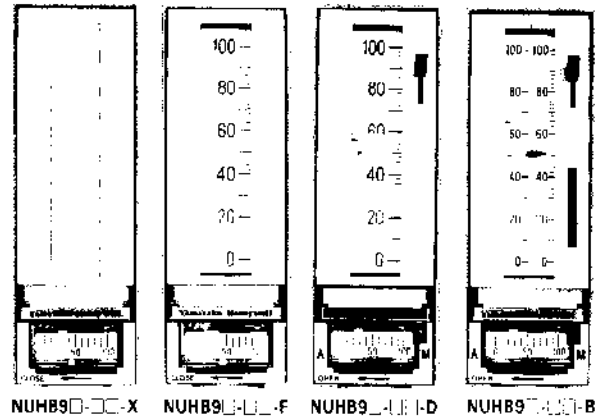
The Manual Loader is provided with following options in addition to the basic model that has a valve meter to indicate the output.

- (1) With input indicator
- (2) With input indicator and transfer SW
- (3) With input indicator, transfer SW and bias setting.

Specifications

Indicating section

- Output: 0.2 - 1.0 kgf/cm² or 3 - 15 psi
- Valve meter: Scale; 0 - 100% (20 div.)
Scale length; 25 mm
Accuracy; $\pm 3.0\%$ FS
Repeatability; Within 0.5% FS
- Output air capacity: 50 NI/min
- Air supply: 1.4 ± 0.14 kgf/cm²
- Minimum load: 1D4 mm x 3 m + 20 cm³
- Air consumption: 6 NI/min (When 50% output, balanced state)
(When with a bias setting12 NI/min)
- Operating conditions: Temperature; 0 - 50°C
Humidity; 10 - 90% RH
- Mounting: Indoor panel mounting.
- Mounting angle: Up to 75° case rear down from horizontal.
- Color finish: Bezel; Dark beige (Munsell 10YR 4.7/0.5)
Upper mask; Light gray (Munsell N7)
Lower mask; Aluminic silver
Case; Dark beige (Munsell 10YR 4.7/0.5)
- Connections: Air; Rc $\frac{1}{4}$ (PT $\frac{1}{4}$) or $\frac{1}{4}$ NPT internal thread
Electric; M 3.5 mm screws
- Net weight: Standard case; 5kg
Short case; 4kg



Options (Accessories)

Following options are available.

Item (1) - (5) are the standard options.

(1) Input indicator

- Input: 0.2 - 1.0 kgf/cm² or 3 - 15 psi
- Scale length: 85 mm
- Accuracy: $\pm 0.5\%$ FS
- Repeatability: Within 0.2% FS

(2) Auto-Manual transfer switch

- Auto to Man. transfer: Balanceless-Bumpless
- Man. to Auto transfer: Transferred after balanced.

(3) Bias setting

- Bias setting span: $\pm 100\%$ FS

Item (4) and (5) are available only for manual loader with indicator.

(4) Lamp (1-set)

- Rating: 24V, 15mA/lamp
- Number of lamp: 2-lamp (Can be divided into two sections.)

(5) Monitor switch (with a lamp set) [Only with PV indicator]

- Number of alarm: PV: 1- or 2-point
- Span: 0 - 100% FS
- Diff. gap: Within 0.5% FS (NUHB9□-A1-B)
Within 2% FS (NUHB9□-A1-F and NUHB9□-A1-D)
- Repeatability: Within 0.5% FS
- Output contact rating: AC 250V, 4A

Item (6) - (8) are the semi-standard options.

(6) 2-point indication + Auto-manual transfer switch (Y 92A)

- Indicating and setting accuracy: $\pm 0.5\%$ FS

(7) 2-point indication + Auto-manual transfer switch and bias setting (Y 93A)

- Indicating and setting accuracy: $\pm 0.5\%$ FS

(8) Front mask semi-standard color (Y 100A, B, D, E)

Model Number Table

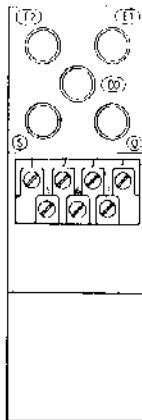
Basic Model No.	Selection	Option	Description
NUHB 90			Manual Loader (Standard Case)
NUHB 99			" (Short Case)
	-A		Air Piping Connection: Rc $\frac{1}{4}$ (PT $\frac{1}{4}$) Internal Thread
	-B		" : $\frac{1}{4}$ NPT Internal Thread
		1	Pneumatic Signal Range: 0.2 ~ 1.0 kgf/cm ²
		2	" : 3 ~ 15 psi
		-X	No Option
		-1	With a Lamp Set
		-5	With B Type Monitor Switch (1-point on No. 1 PV, with a Lamp Set)
		-6	With A Type Monitor Switch (Hi and Low on No. 1 PV, with a Lamp Set)
		6	With B Type Monitor Switch (2-point on No. 1 PV, with a Lamp Set)
		-8	With A Type Monitor Switch (Hi on No. PV, with a Lamp Set)
		9	With A Type Monitor Switch (Low on No. 1 PV, with a Lamp Set)
		-F	With PV Indicator
		-D	With PV Indicator and A/M Transfer Switch
		-B	With PV Indicator and A/M Transfer Switch and Bias Setting

Notes:

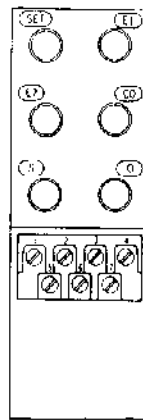
- When ordering "Y" semi-standard options, please write as: NUHB 90Y-A1-X (Y□).
- Front mask semi-standard color

Part No.	Bezel	Upper Mask	Lower Mask
Y100A		Dark beige (10YR 4.7/0.6)	
Y100B	Mist green (2.5 G 5/1.5)	Light gray (N 7)	Aluminic silver
Y100D	Black (N 1,2)	Light gray (N 7)	Aluminic silver
Y100E	Jade green (7.5 BG 4/1.5)	Light gray (N 7)	Aluminic silver

Customer Connections



Standard Case



Short Case

PNEUMATIC CONNECTIONS

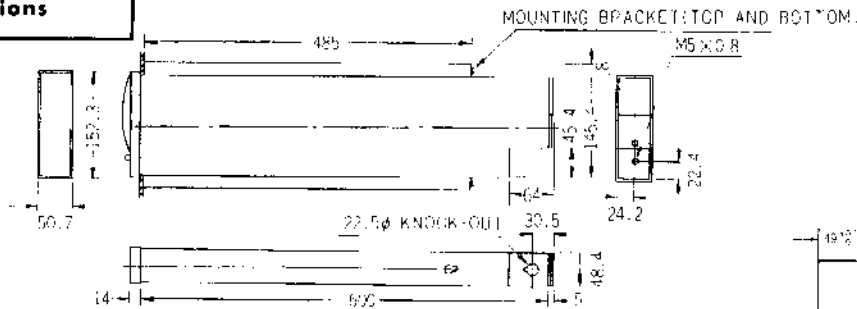
	MAN. LOADER	MAN. LOADER W/INPUT IND.	MAN. LOADER W/INPUT IND. TRANS. SW. AND BIAS SETTING
S	SUPPLY	SUPPLY	SUPPLY
O	OUT	OUT	OUT
C1	-	PV	PV
F2	-	-	Pn

ELECTRIC CONNECTIONS

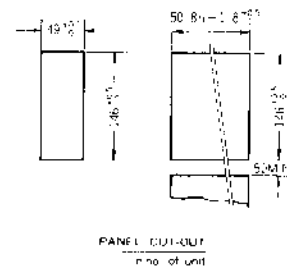
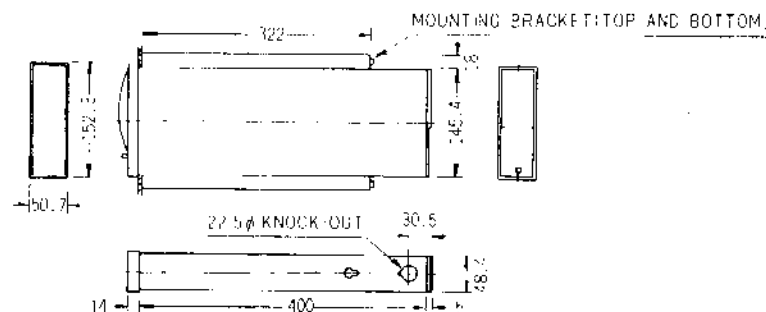
- With 1-point Monitor and Lamp Set
- MONITOR OUT
 - MONITOR COMMON
 - MONITOR OUT
 - GROUND
 - RIGHT OF LAMP SET (-)
 - LEFT OF LAMP SET (-)
 - COMMON OF LAMP SET (+)
- With 2-point Monitor and Lamp Set
- MONITOR OUT (HI)
 - MONITOR COMMON
 - MONITOR OUT (LOW)
 - GROUND
 - RIGHT OF LAMP SET (-)
 - LEFT OF LAMP SET (-)
 - COMMON OF LAMP SET (+)

Dimensions

Standard Case



Short Case



*Specifications are subject to change without notice.

Yamatake Honeywell Co. Ltd.
Industrial Systems Division

Sales Headquarters : Nagai International Bldg., 2-12-19 Shibuya, Shibuya-ku, Tokyo, 150 Japan
Tel: (03) 486 2141 Telex: J22902 Cable: YAMATAKECO