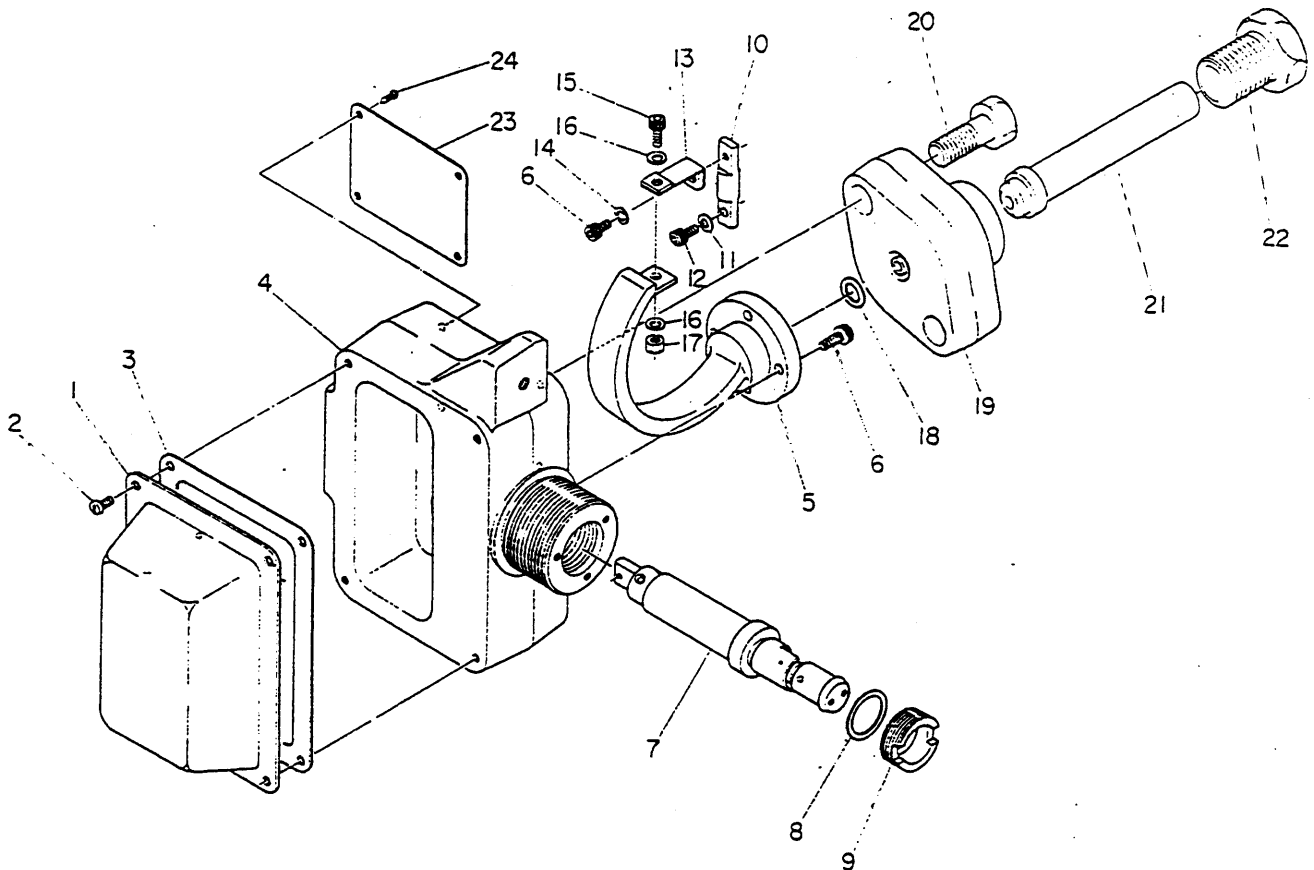


## Bourdon Tube Type Meter Body

Code No. NK5-30-11



Key No.	Description	Quantity	Part No.
0-KT	meter body assembly, model NKI(P)11	1	80275231-22001
0-KT	meter body assembly, model NKI(P)12	1	80275231-22002
0-KT	meter body assembly, model NKI(P)13	1	80275231-22003
0-KT	meter body assembly, model NKI(P)14	1	80275231-22004
1	cover	1	80275235-001
2	screw	4	145-206-060
3	gasket	1	80275236-001
4	body	1	80275232-001
5	bourdon tube assembly, model NKI(P)11	1	80275234-004
5	bourdon tube assembly, model NKI(P)12	1	80275234-003
5	bourdon tube assembly, model NKI(P)13	1	80275234-002
5	bourdon tube assembly, model NKI(P)14	1	80275234-001
6	screw	5	167-306-065
7	torque rod assembly	1	80275247-001
8	washer	1	80022143-001
9	retaining screw	1	80269473-001
10	torque arm	1	80275237-001

Code No. NK5-30-11

Key No.	Description	Quantity	Part No.
11	washer	1	233-1082
12	screw	1	167-308-105
13	strap	1	80275238-001
14	washer	1	231-1062
15	screw	1	167-304-085
16	washer	2	235-2040
17	nut	1	200-5042
18	gasket	1	80025866-001
19	flange, female screw type	1 <i>NK 12.3.4</i>	80275240-001
19	flange, welding nipple type	1 <i>NK 11</i>	80275241-001
20	bolt	2	80271420-001
21	nipple, welding nipple type	1	80275242-001
22	clamp nut, welding nipple type	1	80025918-00X
23	name plate	1	80274667-Item
24	drive screw	4	185-22-030
25	FILTER SCREEN	1	80274969-001 (PT 1/2 NPT 1/2)
			80274969-002 (PT 1/4 NPT 1/4)

→ (X = 1, Carbon steel  
X = 2, SUS 316)