

# VumatiK 8000 Manual Loader Model NUHB

The Manual Loader is provided with following options in addition to the basic model that has a valve meter to indicate the output.

- (1) With input indicator
- (2) With input indicator and transfer SW
- (3) With input indicator, transfer SW and bias setting.

## Specifications

### Indicating section

**Output:** 0.2 – 1.0 kgf/cm<sup>2</sup> or 3 – 15 psi

**Valve meter:** Scale; 0 – 100% (20 div.)

Scale length; 25 mm

Accuracy;  $\pm 3.0\%$  FS

Repeatability; Within 0.5% FS

**Output air capacity:** 50 NI/min

**Air supply:** 1.4  $\pm$  0.14 kgf/cm<sup>2</sup>

**Minimum load:** ID4 mm x 3 m + 20 cm<sup>3</sup>

**Air consumption:** 6 NI/min (When 50% output, balanced state)

(When with a bias setting .....12 NI/min)

**Operating conditions:** Temperature; 0 – 50°C

Humidity; 10 – 90% RH

**Mounting:** Indoor panel mounting.

**Mounting angle:** Up to 75° case rear down from horizontal.

**Color finish:** Bezel; Dark beige (Munsell 10YR 4.7/0.5)

Upper mask; Light gray (Munsell N7)

Lower mask; Aluminic silver

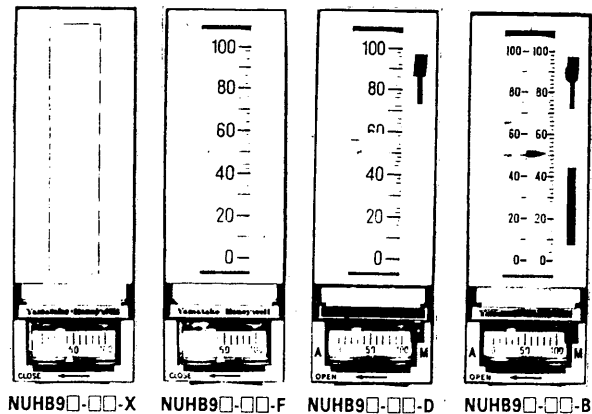
Case; Dark beige (Munsell 10YR 4.7/0.5)

**Connections:** Air; Rc $\frac{1}{4}$  (PT $\frac{1}{4}$ ) or  $\frac{1}{4}$  NPT internal thread

Electric; M 3.5 mm screws

**Net weight:** Standard case; 5kg

Short case; 4kg



4

## Options (Accessories)

Following options are available.

Item (1) – (5) are the standard options.

### (1) Input indicator

Input: 0.2 – 1.0 kgf/cm<sup>2</sup> or 3 – 15 psi

Scale length: 85 mm

Accuracy:  $\pm 0.5\%$  FS

Repeatability: Within 0.2% FS

### (2) Auto-Manual transfer switch

Auto to Man. transfer: Balanceless-Bumpless

Man. to Auto transfer: Transferred after balanced.

### (3) Bias setting

Bias setting span:  $\pm 100\%$  FS

Item (4) and (5) are available only for manual loader with indicator.

### (4) Lamp (1-set)

Rating: 24V, 15mA/lamp

Number of lamp: 2-lamp (Can be divided into two sections.)

### (5) Monitor switch (with a lamp set) [Only with PV indicator]

Number of alarm: PV: 1- or 2-point

Span: 0 – 100% FS

Diff. gap: Within 0.5% FS (NUHB9□-A1-B)

Within 2% FS (NUHB9□-A1-F and NUHB9□-A1-D)

Repeatability: Within 0.5% FS

Output contact rating: AC 250V, 4A

Item (6) – (8) are the semi-standard options.

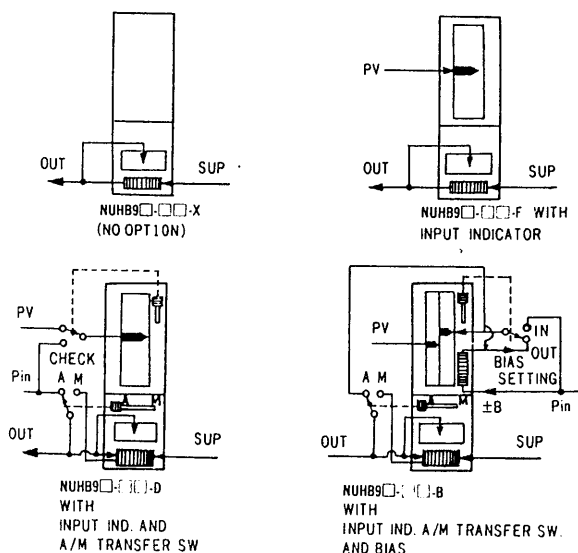
### (6) 2-point indication + Auto-manual transfer switch (Y 92A)

Indicating and setting accuracy:  $\pm 0.5\%$  FS

### (7) 2-point indication + Auto-manual transfer switch and bias setting (Y 93A)

Indicating and setting accuracy:  $\pm 0.5\%$  FS

### (8) Front mask semi-standard color (Y 100A, B, D, E)



**Model Number Table**

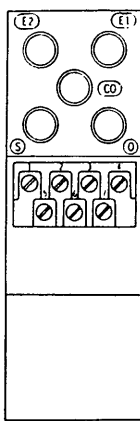
Basic Model No.	Selection	Option	Description
NUHB 90			Manual Loader (Standard Case)
NUHB 99			" (Short Case)
	-A		Air Piping Connection: Rc $\frac{1}{4}$ (PT $\frac{1}{4}$ ) Internal Thread
	-B		" : $\frac{1}{4}$ NPT Internal Thread
		1	Pneumatic Signal Range: 0.2 ~ 1.0 kgf/cm <sup>2</sup>
		2	" : 3 - 15 psi
	-X		No Option
	-1		With a Lamp Set
	-5		With B Type Monitor Switch (1-point on No. 1 PV, with a Lamp Set)
	-6		With A Type Monitor Switch (Hi and Low on No. 1 PV, with a Lamp Set)
	-6		With B Type Monitor Switch (2-point on No. 1 PV, with a Lamp Set)
	-8		With A Type Monitor Switch (Hi on No. PV, with a Lamp Set)
	-9		With A Type Monitor Switch (Low on No. 1 PV, with a Lamp Set)
	-F		With PV Indicator
	-D		With PV Indicator and A/M Transfer Switch
	-B		With PV Indicator and A/M Transfer Switch and Bias Setting

Notes:

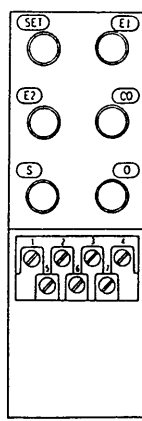
- 1) When ordering "Y" semi-standard options, please write as: NUHB 90Y-A1-X (Y□).
- 2) Front mask semi-standard color

Part Y.No.	Bezel	Upper Mask	Lower Mask
Y100A	Dark beige (10YR 4.7/0.5)		
Y100B	Mist green (2.5 G 5/1.5)	Light gray (N 7)	Aluminic silver
Y100D	Black (N 1.2)	Light gray (N 7)	Aluminic silver
Y100E	Jade green (7.5 BG 4/1.5)	Light gray (N 7)	Aluminic silver

**Customer Connections**



Standard Case



Short Case

**PNEUMATIC CONNECTIONS**

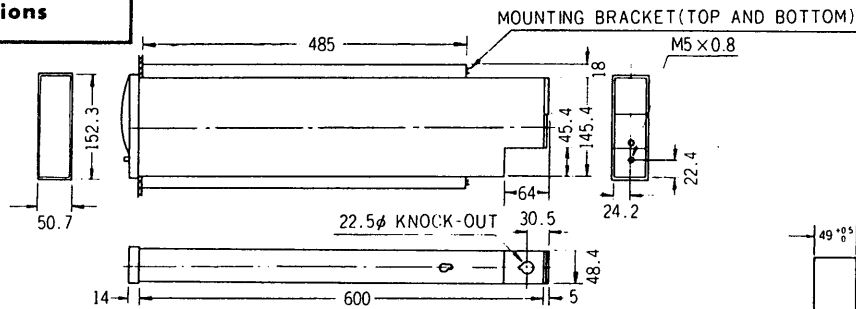
	MAN. LOADER	MAN. LOADER W/INPUT IND.	MAN. LOADER W/INPUT IND., TRANS. SW AND BIAS SETTING
S	SUPPLY	SUPPLY	SUPPLY
O	OUT	OUT	OUT
E1	-	PV	PV
E2	-	-	Pn

**ELECTRIC CONNECTIONS**

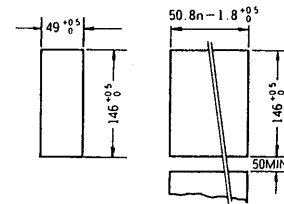
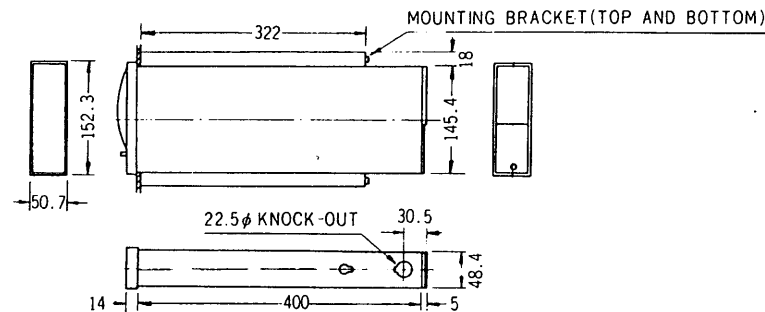
- With 1-point Monitor and Lamp Set
- 1 MONITOR OUT
  - 2 MONITOR COMMON
  - 3 MONITOR OUT
  - 4 GROUND
  - 5 RIGHT OF LAMP SET (-)
  - 6 LEFT OF LAMP SET (-)
  - 7 COMMON OF LAMP SET (+)
- With 2-point Monitor and Lamp Set
- 1 MONITOR OUT (HI)
  - 2 MONITOR COMMON
  - 3 MONITOR OUT (LOW)
  - 4 GROUND
  - 5 RIGHT OF LAMP SET (-)
  - 6 LEFT OF LAMP SET (-)
  - 7 COMMON OF LAMP SET (+)

**Dimensions**

Standard Case



Short Case



PANEL CUT-OUT  
n.no. of unit

\*Specifications are subject to change without notice.