

Yamatake-Honeywell

SPECIFICATION

Specifications

Indicating section

Input: Range; 0.2 ~ 1.0 kg/cm²
 Number of input; 1-pt. (red) or 2-pt. (red and blue)
 Scale length; 85 mm

Indication: Accuracy; $\pm 1.0\%$ FS
 Repeatability; Within 0.5% FS
 Dead band; Within 0.2% FS

Operating conditions

Temperature; 0 ~ 50°C
 Humidity; 10 ~ 90% RH

Installation: Indoor panel mounting.

Mounting angle; Up to 75° case rear down from horizontal.

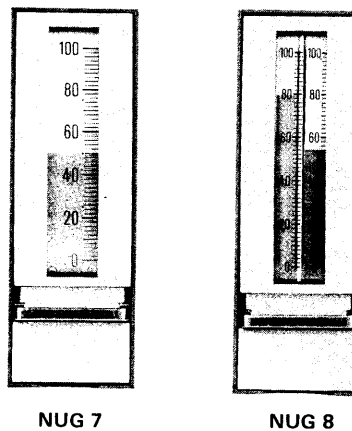
Net weight: Standard case; Approx. 5 kg
 Short case; Approx. 4 kg

Color finish: Bezel; Dark beige (Munsell 10YR 4.7/0.5)
 Lower mask; Aluminic silver
 Case; Dark beige (Munsell 10YR 4.7/0.5)

Connections: Air; PT $\frac{1}{4}$ (ISO R7 $\frac{1}{4}$ "') or NPT $\frac{1}{4}$ tap thread
 Electric; M 3.5 mm screws

Dimensions: Standard case; 152.3H x 50.7W x 600 D (mm)
 Short case; 152.3H x 50.7W x 400 D (mm)

VUMATIK RIBBON INDICATOR MODEL; NUG



Options

Following options are available.

Item (1), (2) are the standard options.

(1) Lamp (1-set)

Number of lamp: 2-lamp (Can be divided into two sections.)

Rating: 24 V, 40 mA/lamp

(2) Monitor switch (With a lamp set)

Number of alarm: $\left\{ \begin{array}{l} \text{PV 1 pt. (High or low)} \\ \text{PV 2 pts. (High and low on 1 input)} \end{array} \right.$

Span: PV; 0 ~ 100% FS

Differential gap; Within 2% FS

Repeatability: Within 0.5% FS

Output contact rating: AC 250 V, 4 A

Item (3) is the semi-standard option.

(3) Front mask semi-standard color (Y 100A, B, C, D)

Yamatake-Honeywell Co. Ltd.
Process Control Division

Sales Headquarters : Nagai International Bldg., 12-19, Shibuya 2 chome, Shibuya-ku, Tokyo, 150 Japan
 Tel : (03) 409-7171 Telex : J22902 Cable : YAMATAKE CO

Model Number Table

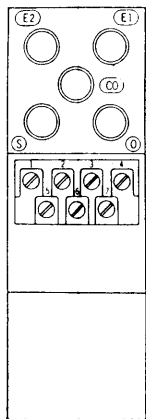
| Basic Model No. | | I | II | Description |
|-----------------|--------------|-----------|--------|-------------------------------------------------------|
| Key No. | Type of Case | Selection | Option | |
| NUG 7 | • | | | 1-point Ribbon Indicator |
| NUG 8 | | | | 2-point Ribbon Indicator |
| | | 0 | | Standard Case |
| | | 9 | | Short Case |
| | | | -X | No Selection |
| | | | -X | No Option |
| | | | - 1 | Lamp (1-set) |
| | | | - 5 | PV Monitor Switch, 1 point on 1 PV (with a lamp set) |
| | | | - 6 | PV Monitor Switch, 2 points on 1 PV (with a lamp set) |

Notes

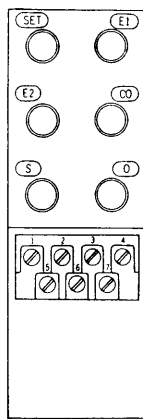
- When ordering "Y" semi-standard options not specified on Model Number Table, please write as: NUG 70Y-X-X (Y □).
- Front mask semi-standard color

| Part Y-No. | Bezel | Upper Mask | Lower Mask |
|------------|----------------------------|------------------|---------------|
| Y 100 A | Dark beige (10 YR 4.7/0.5) | | |
| Y 100 B | Green (2,5 G 5/1.5) | Light gray (N 7) | Alumic silver |
| Y 100 C | Dark gray (N 5) | Light gray (N 7) | Alumic silver |
| Y 100 D | Black (N 1.2) | Light gray (N 7) | Alumic silver |

Customer Connections



Standard Case

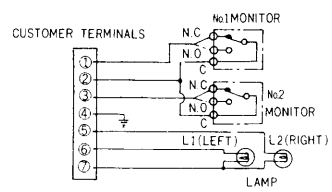


Short Case

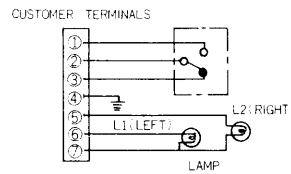
PNEUMATIC CONNECTIONS

| | 1PT. IND. | 2PT. IND. |
|----|-----------|-----------|
| E1 | PV | No 1 PV |
| E2 | - | No 2 PV |

ELECTRIC CONNECTIONS



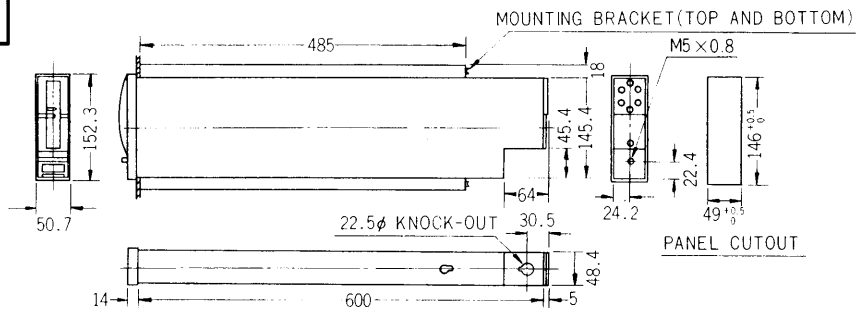
High and Low Monitor



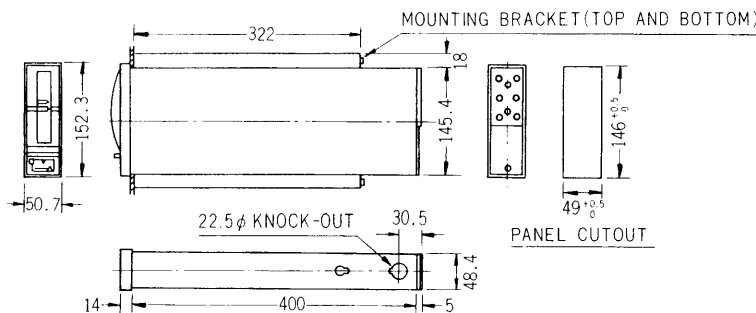
High or Low Monitor

Dimensions

Standard Case



Short Case



Ordering Information

When ordering, please specify:

- Model No.
- Scale range
- Options

* Specifications are subject to change without notice.