

## Specifications

*Indicating section*

*Input:* Range; 0.2 ~ 1.0 kg/cm<sup>2</sup>  
 Number of input ; 1-pt. (red) or 2-pt. (red and blue)  
 Scale length ; 85 mm

*Indication:* Accuracy;  $\pm 0.5\%$  FS  
 Repeatability; Within 0.2% FS  
 Dead band; Within 0.1% FS

*Operating conditions:*

Temperature; 0 ~ 50°C  
 Humidity; 10 ~ 90% RH

*Mounting:* Indoor panel mounting.

*Mounting angle:* Up to 75° case rear down from horizontal.

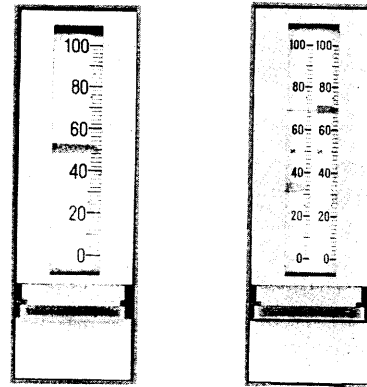
*Net weight:* Standard case; Approx. 5 kg  
 Short case; Approx. 4 kg

*Color finish:* Bezel ; Dark beige (Munsell 10YR 4.7/0.5)  
 Lower mask ; Aluminic silver  
 Case ; Dark beige (Munsell 10YR 4.7/0.5)

*Connections:* Air; PT $\frac{1}{4}$  (ISO R7  $\frac{1}{4}$ " ) or NPT $\frac{1}{4}$  tap thread  
 Electric ; M 3.5 mm screws

*Dimensions:* Standard case ; 152.3H x 50.7W x 600 D (mm)  
 Short case ; 152.3H x 50.7W x 400 D (mm)

**VUMATIK**  
**INDICATOR**  
 MODEL ; NUF



NUF 7

NUF 8

## Options

Following options are available.

Item (1), (2) are the semi-standard options.

*(1) Lamp (1-set)*

Number of lamp : 2-lamp (Can be divided into two sections.)  
 Rating : 24 V, 40 mA/lump

*(2) Monitor switch (With a lamp set)*

Number of alarm :  $\left\{ \begin{array}{l} \text{PV 1 pt. (High or low)} \\ \text{PV 2 pts. (High and low on 1 input)} \end{array} \right.$

Span : 0 ~ 100% FS

Differential gap : Within 2% FS

Repeatability : Within 0.5% FS

Output contact rating: AC250V, 4A

Item (3) is the semi-standard option.

*(3) Front mask semi-standard color (Y 100A, B, C, D) -*

**Yamatake-Honeywell Co. Ltd.**  
 Process Control Division

**Sales Headquarters :** Nagai International Bldg., 12-19, Shibuya 2 chome, Shibuya-ku, Tokyo, 150 Japan  
 Tel : (03) 409-7171 Telex : J22902 Cable : YAMATAKE CO

**Model Number Table**

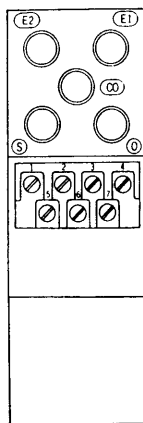
Basic Model No.		I	II	Description
Key No.	Type of Case	Selection	Option	
NUF 7				1-point Indicator
NUF 8				2-point Indicator
	0			Standard Case
	9			Short Case
		-X		No Selection
			-X	No Option
			- 1	Lamp (1-set)
			- 5	PV Monitor Switch, 1-point on No.1 PV (with a lamp set)
			- 6	PV Monitor Switch, 2-point on No.1 PV (with a lamp set)

Notes:

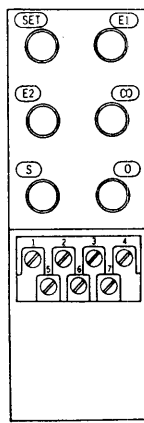
- When ordering "Y" semi-standard options not specified on Model Number Table, please write as: NUF 70Y-X-X (Y□).
- Front mask semi-standard color

Y-No.	Part	Bezel	Upper Mask	Lower Mask
Y 100 A		Dark beige (10 YR 4.7/0.5)		
Y 100 B		Green (2.5 G 5/1.5)	Light gray (N 7)	Alumic silver
Y 100 C		Dark gray (N 5)	Light gray (N 7)	Alumic silver
Y 100 D		Black (N 1.2)	Light gray (N 7)	Alumic silver

**Connections**



Standard Case

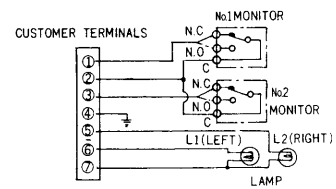


Short Case

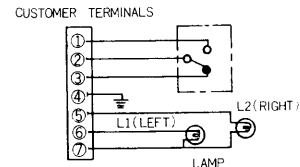
**PNEUMATIC CONNECTIONS**

	1PT. IND.	2PT. IND.
E1	PV	No.1 PV
E2	-	No.2 PV

**ELECTRIC CONNECTIONS**



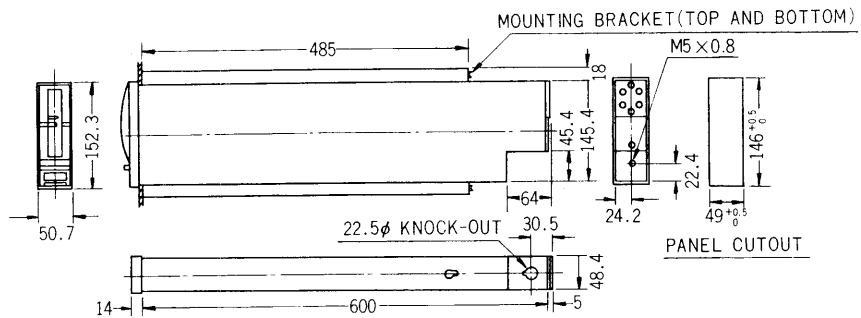
High and Low Monitor



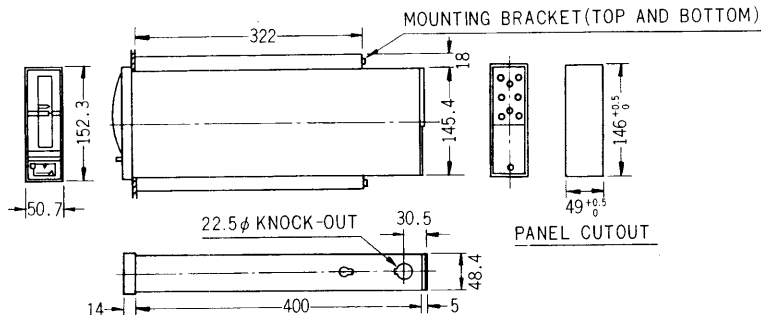
High or Low Monitor

**Dimensions**

**Standard Case**



**Short Case**



**Ordering Information**

When ordering, please specify:

- Model No.
- Scale range
- Options

\* Specifications are subject to change without notice.