

Vumatik 8000 Vertical Scale (Fixed Scale) Indicator Controller (Manual Set-Point) Model NULB 5

Specifications

Indicating section

Input: 0.2 to 1.0 kgf/cm² or 3 to 15 psi
Indication: Accuracy; $\pm 0.5\%$ FS
 Repeatability; Within 0.2% FS
 Dead band; Within 0.1% FS
Scale length: 85 mm

Set-point section

Set-point setting: Manual set-point (Local)
 (Set-point transmitter.)
 Accuracy; $\pm 0.5\%$ FS
 Repeatability; Within 0.2% FS
Scale length: 85 mm

Manual loading unit

Valve meter: Scale; 0 to 100% (20 even div.)
 Accuracy; $\pm 3.0\%$ FS
 Repeatability; Within 0.5% FS

Auto-Man. transfer: Balanceless-Bumpless

Output-air capacity: 50 NI/min

Control unit

Output: 0.2 to 1.0 kgf/cm² or 3 to 15 psi
Type of control: P + Manual reset, PI, PI (Batch control) and PID

Controller performance:

Proportional band (P); 5 to 500%
 Integral (I); 0.01 to 50 min
 Derivative (D); 0.01 to 50 min

Output air capacity: 50 NI/min

Air supply: 1.4 ± 0.14 kgf/cm²

Minimum load: ID4 mm \times 3 m + 20 cm³

Air consumption: 13 NI/min (When 50% output, balanced state)

Operating conditions: Temperature; 0 to 50°C
 Humidity; 10 to 90% RH

Mounting: Indoor panel mounting.

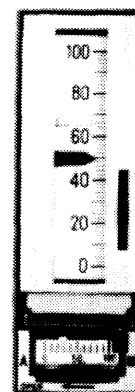
Mounting angle: Up to 75° case rear down from horizontal.

Color finish:

Bezel; Dark beige (Munsell 10YR 4.7/0.5)
 Upper mask; Light gray (Munsell N7)
 Lower mask; Aluminic silver
 Case; Dark beige (Munsell 10YR 4.7/0.5)

Connections: Air; Rc $\frac{1}{4}$ (PT $\frac{1}{4}$) or $\frac{1}{4}$ NPT internal thread
 Electric; M 3.5 mm screws

Net weight: 6.7 kg



NULB 5

Options

Following options are available.
 Item (1), (2) are the standard options.

(1) Lamp (1-set)

Rating: 24V, 15 mA/lamp
 Number of lamp: 2-lamp (Can be divided into two sections.)

(2) Monitor switch (With a lamp set)

Number of alarm: PV; 1- or 2-point
 Deviation; 1-point
 Setting span: PV; 0 to 100% FS
 Deviation; 100 to 0 to 100% FS

Remark; Minimum 10% FS clearance is required between the lowest value of Hi limit and the highest value of Lo limit.

Differential gap: Within 0.5% FS
 Repeatability: Within 0.5% FS
 Output contact rating: AC 250 V, 4 A

Item (3), (4) are the semi-standard options.

(3) Front mask semi-standard color (Y 100A, B, D, E)

(4) Make-up bottom unit (Y 120A, B)

With output gage (Y 120A),
 Blind (Y 120B)

Model Number Table

Basic Model No.	Selection	Option	Description
NULB 51			Vertical Scale Indicator Controller (Local Type, P+Manual Reset)
NULB 52			" (" , PI)
NULB 53			" (" , PID)
NULB 55			" (" , PI Batch Control)
	-A		Air Piping Connection: Rc $\frac{1}{4}$ (PT $\frac{1}{4}$) Internal Thread
	-B		" : $\frac{1}{4}$ NPT Internal Thread
		1	Pneumatic Signal Range: 0.2 – 1.0 kgf/cm ²
		2	" : 3 – 15 psi
	-X		No Option
	-1		With a Lamp Set
	-6		With A Type Monitor Switch (Hi and Low on No. 1 PV, with a Lamp Set)
	-7		Deviation Monitor Switch (With a Lamp Set)
	-8		With A Type Monitor Switch (Hi on No. 1 PV, with a Lamp Set)
	-9		With A Type Monitor Switch (Low on No. 1 PV, with a Lamp Set)

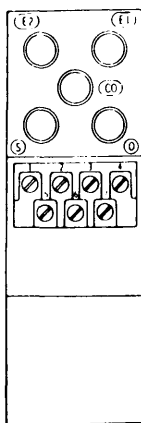
Notes:

1) When ordering "Y" semi-standard options, please write as: NULB 52Y-A1-X (Y□).

2) Front mask semi-standard color

Part Y-No.	Bezel	Upper Mask	Lower Mask
Y100A	Dark beige (10YR 4.7/0.5)		
Y100B	Mist green (2.5 G 5/1.5)	Light gray (N 7)	Alumic silver
Y100D	Black (N 1.2)	Light gray (N 7)	Alumic silver
Y100E	Jade green (7.5 BG 4/1.5)	Light gray (N 7)	Alumic silver

Customer Connections



PNEUMATIC CONNECTIONS

S : SUPPLY
O : OUT
E1 : PV

ELECTRIC CONNECTIONS

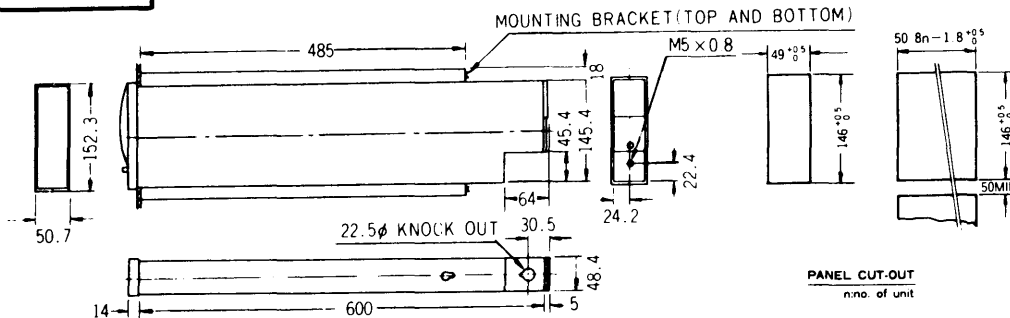
With 1-point Monitor and Lamp Set

- 1 MONITOR OUT
- 2 MONITOR COMMON
- 3 MONITOR OUT
- 4 GROUND
- 5 RIGHT OF LAMP SET (-)
- 6 LEFT OF LAMP SET (-)
- 7 COMMON OF LAMP SET (+)

With 2-point Monitor or Dev. Monitor and Lamp Set

- 1 MONITOR OUT (HI)
- 2 MONITOR COMMON
- 3 MONITOR OUT (LOW)
- 4 GROUND
- 5 RIGHT OF LAMP SET (-)
- 6 LEFT OF LAMP SET (-)
- 7 COMMON OF LAMP SET (+)

Dimensions



Ordering Information

When ordering, please specify:

- 1) Model No
- 2) Scale range
- 3) Options

* Reference instruction manual . . . OM2-3330-0100

Specifications are subject to change without notice.

Yamatake Corporation

Totate International Building
2-12-19 Shibuya
Shibuya-ku Tokyo 150-8316
Tel : 81-3-3486-2216
Fax : 81-3-3486-2503

Yamatake-SIC Control Systems Co., Ltd.
Shanghai Yamatake Jinshan Control Instruments Co., Ltd.
Yamatake (Thailand) Co., Ltd.
Yamatake Philippines, Inc.
PT. Yamatake Berca Indonesia
Yamatake Controls Singapore Pte. Ltd.
YCV Corporation

: China 86-10-6326-9844/55
: China 86-21-5793-5334
: Thailand 66-2-210-0900-7
: Philippines 63-2-817-6452
: Indonesia 62-21-230-5537/5539
: Singapore 65-778-5966
: U.S.A. 1-602-548-1800



Savemation

Saving through Automation

Yamatake Industrial Systems Co.,Ltd.

<http://www.yamatake.co.jp/>

9903-Y/Y

This has been printed on recycled paper.