

VumatiK 8000 Screen Indicator Model NUGB

Specifications

Indicating section

Input: Range; 0.2 to 1.0 kgf/cm² or 3 to 15 psi
Number of input ; 1-pt. (red) or 2-pt. (red and blue)
Scale length ; 85 mm

Indication: Accuracy ; $\pm 1.0\%$ FS
Repeatability ; Within 0.5% FS
Dead band ; Within 0.2% FS

Operating conditions

Temperature; 0 to 50°C
Humidity; 10 to 90% RH

Mounting: Indoor panel mounting.

Mounting angle ; Up to 75° case rear down from horizontal.

Color finish: Bezel ; Dark beige (Munsell 10YR 4.7/0.5)

Lower mask ; Aluminic silver

Upper mask; Light gray (Munsell N7)

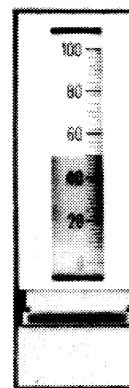
Case ; Dark beige (Munsell 10YR 4.7/0.5)

Connections: Air; Rc $\frac{1}{4}$ (PT $\frac{1}{4}$) or $\frac{1}{4}$ NPT internal thread

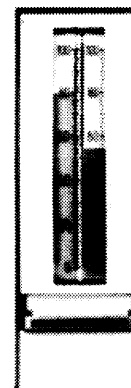
Electric ; M 3.5 mm screws

Net weight: Standard case ; 5 kg

Short case ; 4 kg



NUGB 7



NUGB 8

Options

Following options are available.

Item (1), (2) are the standard options.

(1) Lamp (1-set)

Rating: 24 V, 15 mA/lamp

Number of lamp: 2-lamp (Can be divided into two sections.)

(2) Monitor switch (With a lamp set)

Number of alarm: PV; 1- or 2-point

Span: PV; 0 to 100% FS

Differential gap: Within 2% FS

Repeatability : Within 0.5% FS

Output contact rating: AC 250 V, 4 A

Item (3) is the semi-standard option.

(3) Front mask semi-standard color (Y 100A, B, D, E)

Model Number Table

Basic Model No.	Selection	Option	Description
NUGB 70			1-point Screen Indicator (Standard Case)
NUGB 79			" (Short Case)
NUGB 80			2-point Screen Indicator (Standard Case)
NUGB 89			" (Short Case)
	-A		Air Piping Connection: Rc $\frac{1}{4}$ (PT $\frac{1}{4}$) Internal Thread
	-B		" : $\frac{1}{4}$ NPT Internal Thread
		1	Pneumatic Signal Range: 0.2 – 1.0 kgf/cm ²
		2	" : 3 – 15 psi
	-X		No Option
	-1		With a Lamp Set
	-5		With B Type Monitor Switch (1-point on 1 PV, with a Lamp Set)
	-6		With B Type Monitor Switch (2-point on 1 PV, with a Lamp Set)

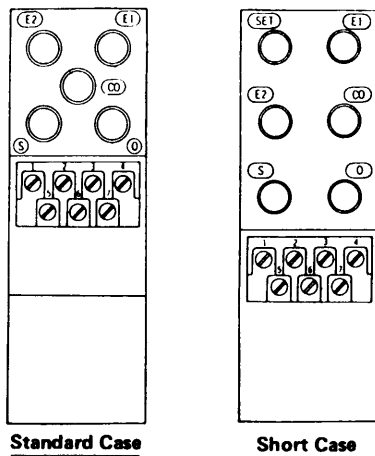
Notes :

1) When ordering "Y" semi-standard options not specified on Model Number Table, please write as: NUGB 70Y-A1-X (Y□).

2) Front mask semi-standard color

Part Y.No.	Bezel	Upper Mask	Lower Mask
Y100A		Dark beige (10YR 4.7/0.5)	
Y100B	Mist green (2.5 G 5/1.5)	Light gray (N 7)	Alumic silver
Y100D	Black (N 1.2)	Light gray (N 7)	Alumic silver
Y100E	Jade green (7.5 BG 4/1.5)	Light gray (N 7)	Alumic silver

Customer Connections



PNEUMATIC CONNECTIONS

	1PT IND	2PT IND
E1	PV	No 1 PV
E2	-	No 2 PV

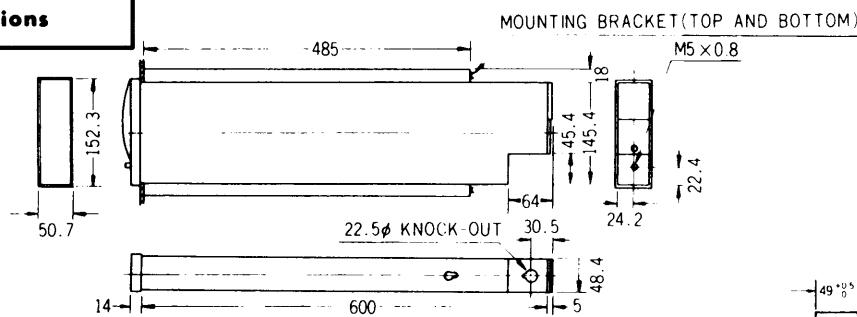
ELECTRIC CONNECTIONS

With 1-point Monitor and Lamp Set
 1 MONITOR OUT
 2 MONITOR COMMON
 3 MONITOR OUT
 4 GROUND
 5 RIGHT OF LAMP SET (-)
 6 LEFT OF LAMP SET (-)
 7 COMMON OF LAMP SET (+)

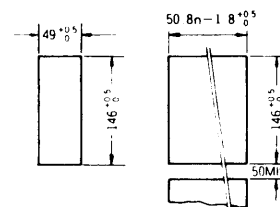
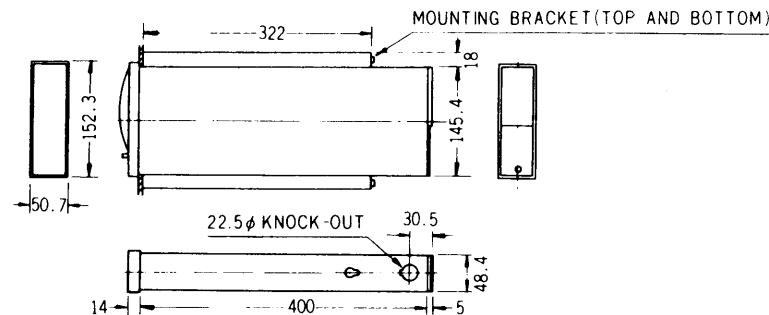
With 2-point Monitor and Lamp Set
 1 MONITOR OUT (HI)
 2 MONITOR COMMON
 3 MONITOR OUT (LOW)
 4 GROUND
 5 RIGHT OF LAMP SET (-)
 6 LEFT OF LAMP SET (-)
 7 COMMON OF LAMP SET (+)

Dimensions

Standard Case



Short Case



PANEL CUT-OUT
n.no. of unit

Specifications are subject to change without notice.



Yamatake Corporation

Savemation

Totate International Building
 2-12-19 Shibuya
 Tokyo 150-8316
 Tel : 81-3-3486-2506
 Fax : 81-3-3486-2503

Yamatake-SIC Control Systems Co., Ltd.	: China	86-10-6326-9844/55
Shanghai Yamatake Jinshan Control Instruments Co., Ltd.	: China	86-21-5793-5334
Yamatake (Thailand) Co., Ltd.	: Thailand	66-2-210-0900-7
Yamatake Philippines, Inc.	: Philippines	63-2-817-6452
PT. Yamatake Berca Indonesia	: Indonesia	62-21-230-5537/5539
Yamatake Controls Singapore Pte. Ltd.	: Singapore	65-778-5966
YCV Corporation	: U.S.A.	1-602-548-1800

Saving through Automation

9807-Y/Y