

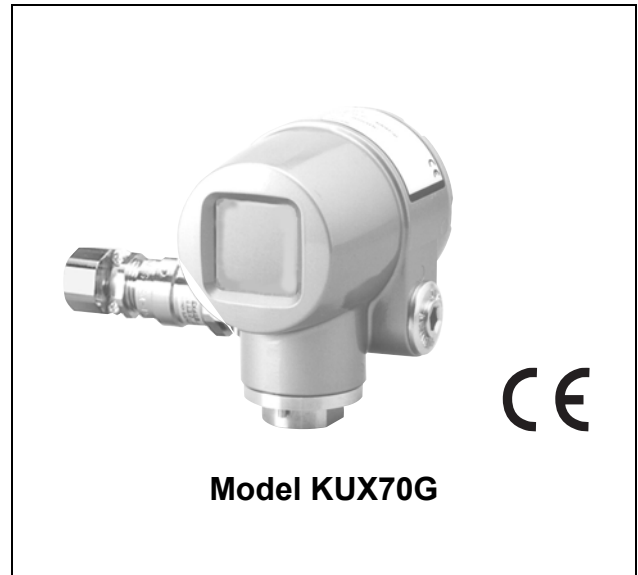
Field type P/I Converter

Model KUX60G/KUX70G

OVERVIEW

The model KUX60G/70G field type P/I converter is a microprocessor-based, pneumatic-electric current signal converter, which employs a silicon pressure sensor.

It converts a pneumatic signal to a 4 to 20 mA DC current signal with high accuracy and excellent stability.



STANDARD SPECIFICATIONS

Input signal

20 to 100 kPa (Max. working pressure 200 kPa)

Output signal

4 to 20 mA DC

Supply voltage and load resistance

See the supply voltage and loop resistance chart. (Figure 1)

Air piping connection

Rc1/4 or 1/4NPT internal screw

Electrical conduit connection

G1/2 internal screw

Material of transmitter case

Aluminum alloy

Ambient temperature range

- 25 to 70°C

Ambient humidity range

5 to 100% RH

Accuracy

±0.25% F.S.

Ambient temperature effect

Zero shift: ±0.7% F.S. / 30°C

Zero and Span shift: ±1.9% F.S. / 30°C

Mounting

2 inch bracket

Weight

Approx. 0.9 kg

Electronic housing finish

Baked acrylic paint, metallic green (Munsell 5G7/8)

Type of protection

NEMA 3 and 4X, IEC IP67

JIS oil-immersed type flameproof Exdo II CT4X (KUX70G)

CE certification

89/336/EEC EMC Directive

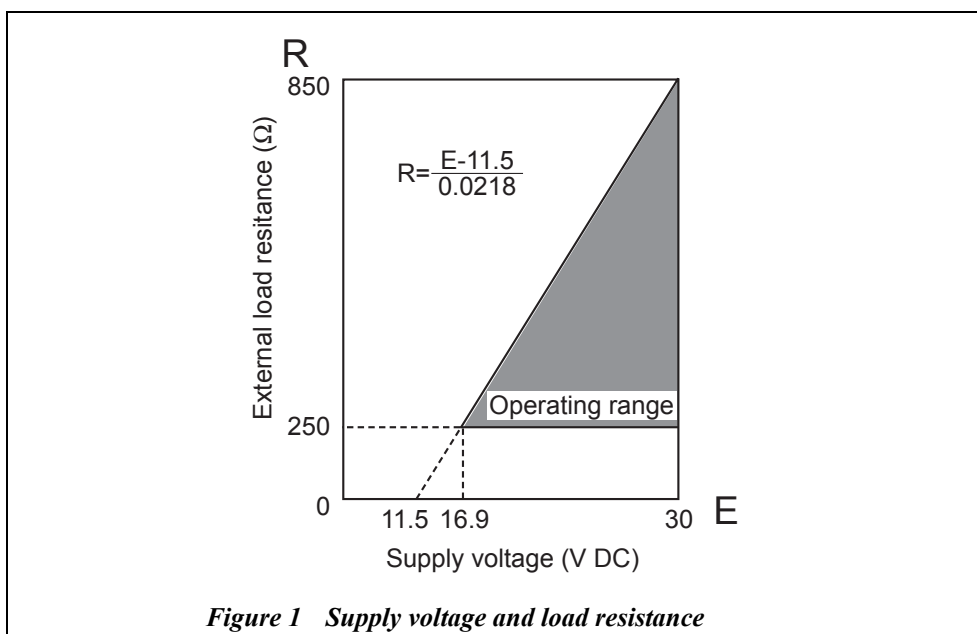
MODEL SELECTION

e.g. KUX70G-AAB1N2-X-FH

Product Description	Standard model	KUX60G	-	G
	JIS Flameproof model	KUX70G	-	A

Pneumatic Signal	20 to 100 kPa	A		
	0.2 to 1.0 kgf/cm ² *1	B		
	0.2 to 1.0 bar *1	C		
	3 to 15 psi *1	D		
	19.6 to 98.1 kPa *1	E		
Material Diaphragm / wetted parts other than diaphragm /fill fluid	SUS316L / SUS316 / Silicone oil	B1		
Process connection	Rc1/4 internal thread	C2		
	1/4NPT internal thread	N2		
Option 1			-	
No option				X
Heavy duty corrosion-proof coating				B
Option2				-
No option				X
Test report				1
Traceability certificate				6
Non SI unit *1				F
With one elbow for air piping connection				V
Mounting bracket				H

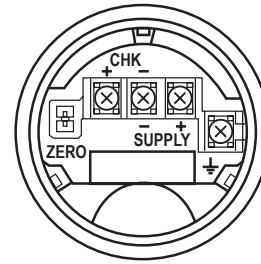
Note) *1: For Pneumatic signal range in Non-SI units, “Non SI unit” code “F” in Option 2 must be specified.



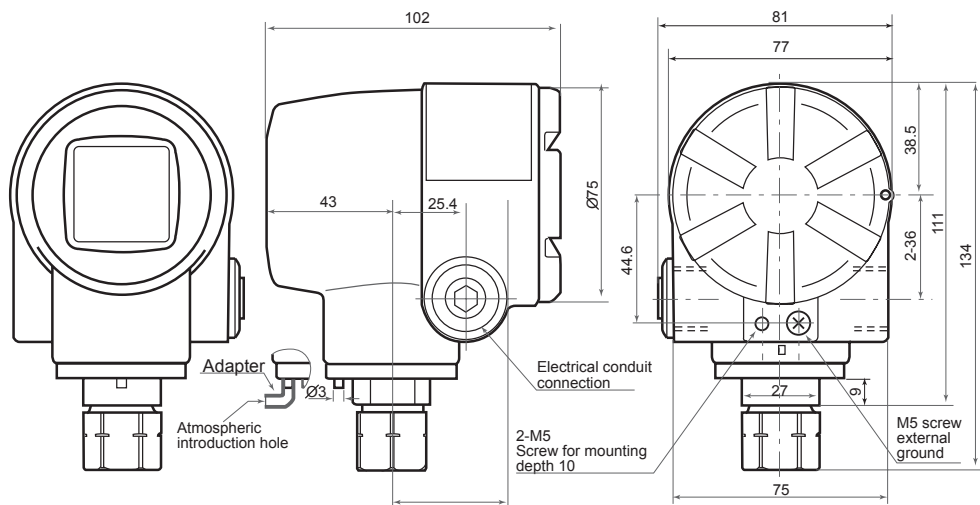
DIMENSIONS

Standard model

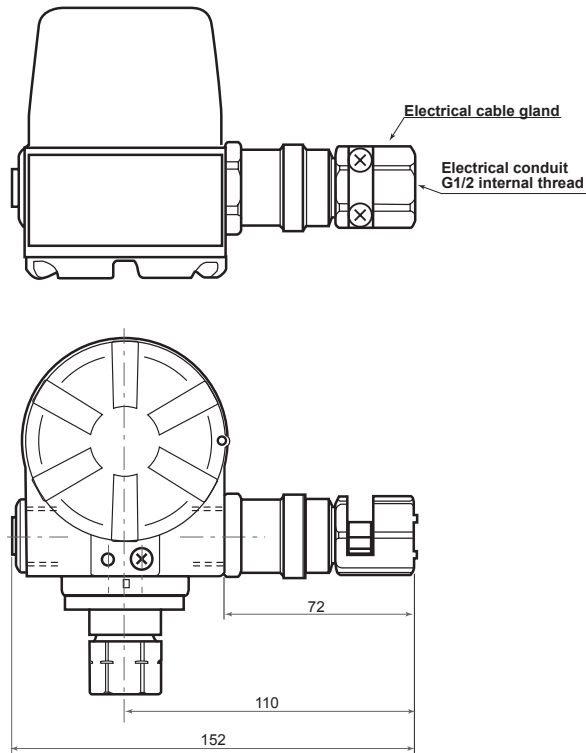
(Unit: mm)



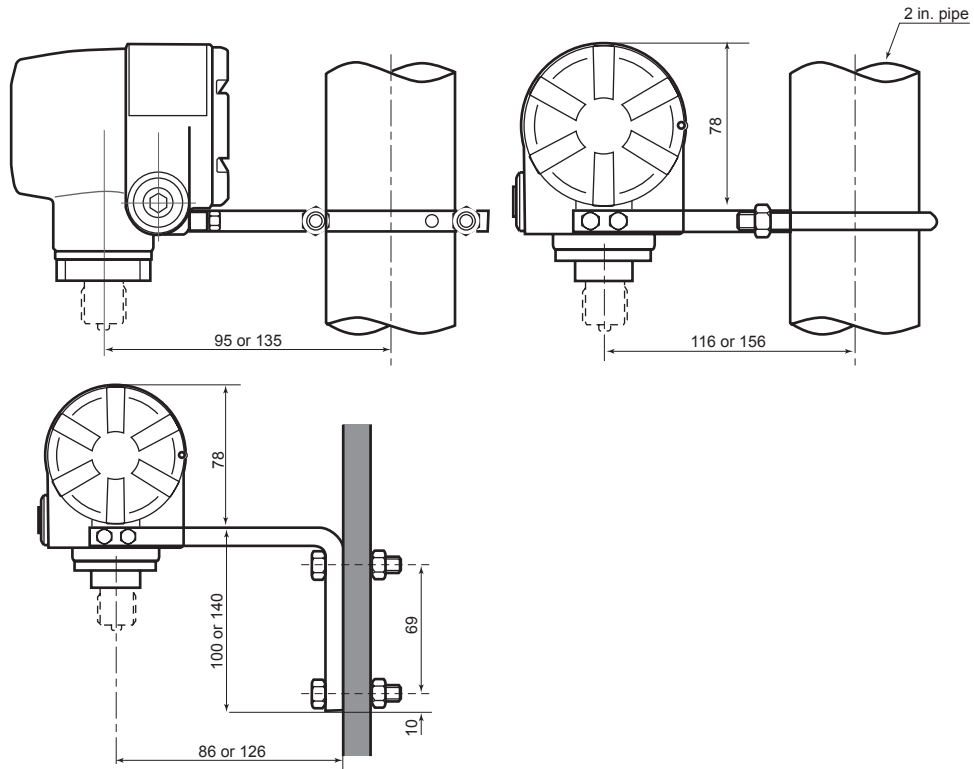
**Terminal connection
(M2 Screw)**



Flameproof model



(Unit: mm)



Yamatake Corporation

Totate international Building
2-12-19 Shibuya
Shibuya-ku, Tokyo 150-8316
Japan
Tel : 81-3-3486-2310
Fax : 81-3-3486-2593

YAMATAKE
Savemation
Saving through Automation