

Yamatake-Honeywell

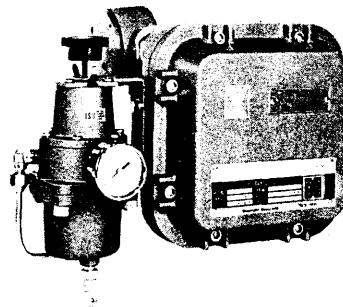
SPECIFICATION

Specifications

Output: 4 ~ 20 mA DC
Output impedance: 250 Ω
Air connection: PT $\frac{1}{4}$ (ISO R7 $\frac{1}{4}$ ") or NPT $\frac{1}{4}$ tap thread
Electrical conduit connection: PF $\frac{1}{2}$ (ISO R228 $\frac{1}{2}$ ") tap thread
Supply pressure: 1.4 \pm 0.14 kg/cm²
Output: 0.2 ~ 1.0 kg/cm²
Air consumption: 7 NI/min. (When output 100% balanced)
Air consumption capacity of air flow: 200 NI/min.
Ambient temperature:
 -25 ~ +60°C (General type)
 -15 ~ +80°C (High temperature type)
Relative humidity: 10 ~ 90% RH
Transducer housing:
 Explosion-proof type (VPT 05);
 When with an explosion-proof terminal box, Class d2G4 of JIS C0903 code approved (JIS F8001 Class 3 splash-proof included). Also suitable for the NEC Class 1, Group D, Division 1.
 Weatherproof type (VPT 06);
 Equivalent to JIS F8001 Class 3 splash-proof construction.
 Intrinsic safety type (VPT 07);
 Class i3nG5 of JIS C0903 code for hazardous location, including above splash-proof construction.
 (Note: Intrinsic safety type . . .
 Signal power supply; DC23 ~ 27.5 V
 Ambient temperature; -25 ~ +60°C)
Accuracy: \pm 1% FS
Dead band: 0.1% FS or less (Sensitivity is 0.05% FS)
Case material: Aluminum alloy die-cast
Finish: Acryl baking finish
 (For corrosion-resistant and silver finish, refer to the optional specification.)
Color finish: Dark beige (Smooth tone finish)
Mounting: 2 inch pipe of vertical.
Net weight: Approx. 5.4 kg (Add 1.3 kg for explosion-proof terminal box with adapter.)

CURRENT TO PRESSURE (I/P) TRANSDUCER

MODEL ; VPT05/06/07



VPT05

Options (Accessories)

Following accessories optionally available.

- (1) Air-set (Filter and pressure regulator)
- (2) Explosion-proof terminal box: 2 way.

Flame-proof conduit screw-coupling type. (When flame-proof packing type is employed, the JIS explosion-proof requirements can be met by using the adapter in addition.)

- (3) PTB (West Germany) approved intrinsic safety
(For VPT06 Y 122A)

Signal power supply; DC23 ~ 28 V
 Ambient temperature; -30 ~ +40°C

- (4) Corrosion-resistant and silver finish (Y 138A ~ D)
 Corrosion-resistant (Acryl baking) finish (Y 138A);

Resistance for corrosive gases.

- Corrosion-proof (Epoxy baking) finish (Y 138B);

Resistance for corrosive liquids.

- Silver-normal (Acryl baking) finish (Y 138C);

Protection for temperature rise of device caused by direct sun light, radiation heat, etc.

- Silver-corrosion-resistant (Acryl baking) finish (Y 138D)

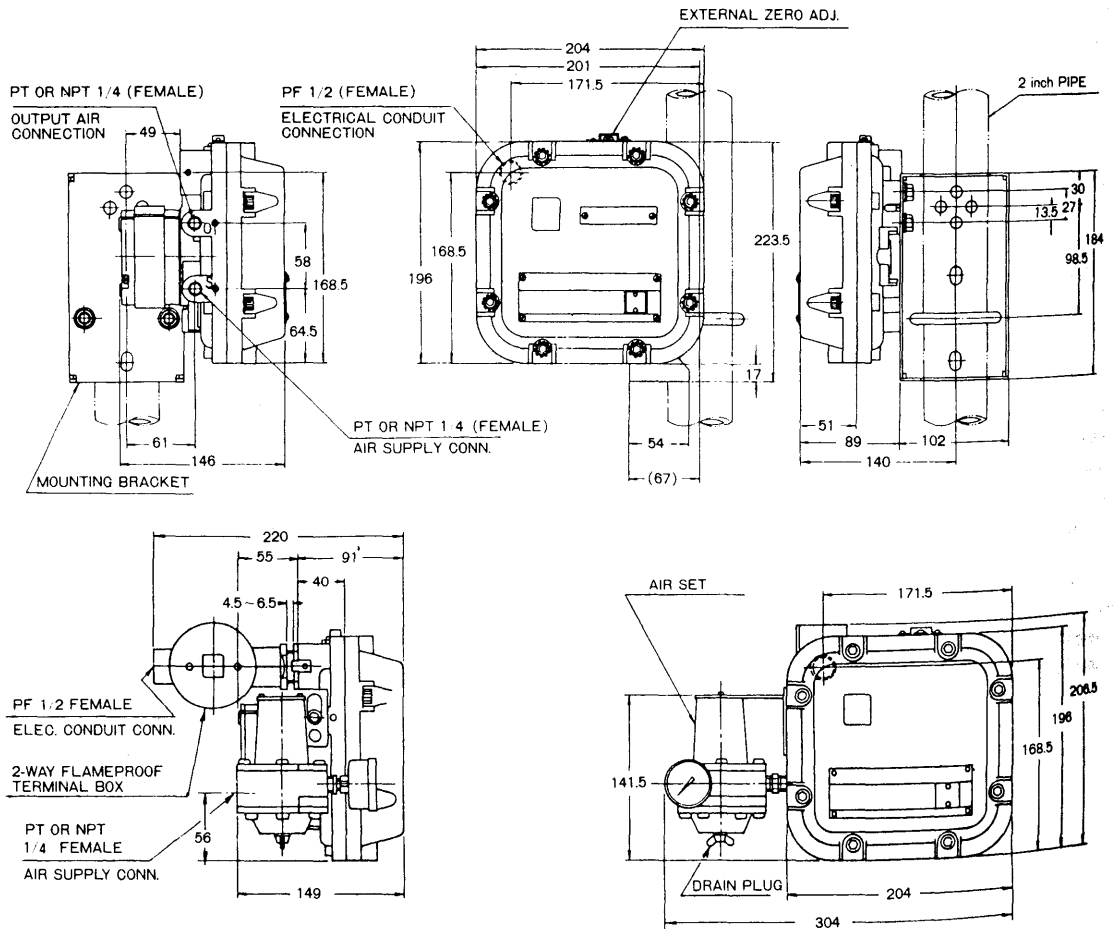
Protection for above-mentioned temperature rise and resistance for corrosive gases.

(Note: Silver finish is not applicable for alkaline gases.)

Model Number Table

Basic Model No.	Selection	Option	Description
VPT05			Explosion-proof Type I/P Transducer
VPT06			Weatherproof Type I/P Transducer
VPT07			Intrinsic Safety Type I/P Transducer
	-X		No selection
		-X	No option
		-7	Air set
		-8	Explosion-proof Terminal Box [only for VPT05]
		-8A	" (With One Flame-proof Packing Type Cable Connecting Adapter) [only for VPT05]

Dimensions



With Air Set and Flameproof Terminal Box

Ordering Information

When ordering, please specify:

- 1) Model No.
- 2) Options

※ Specifications are subject to change without notice.
 ※ Reference instruction manual . . . OM2-592457