

Field-type I/P Converter

Model KUX113

Introduction

Field-type I/P Converter (Model KUX113) is a compact, lightweight, high-accuracy electrical signal/pneumatic signal converter that offers an easy-to-handle interface between an electronic instrument and a pneumatically-operated control valve.

Adopting a 2-wire system, the KUX113 does not require on-site power supply wiring.



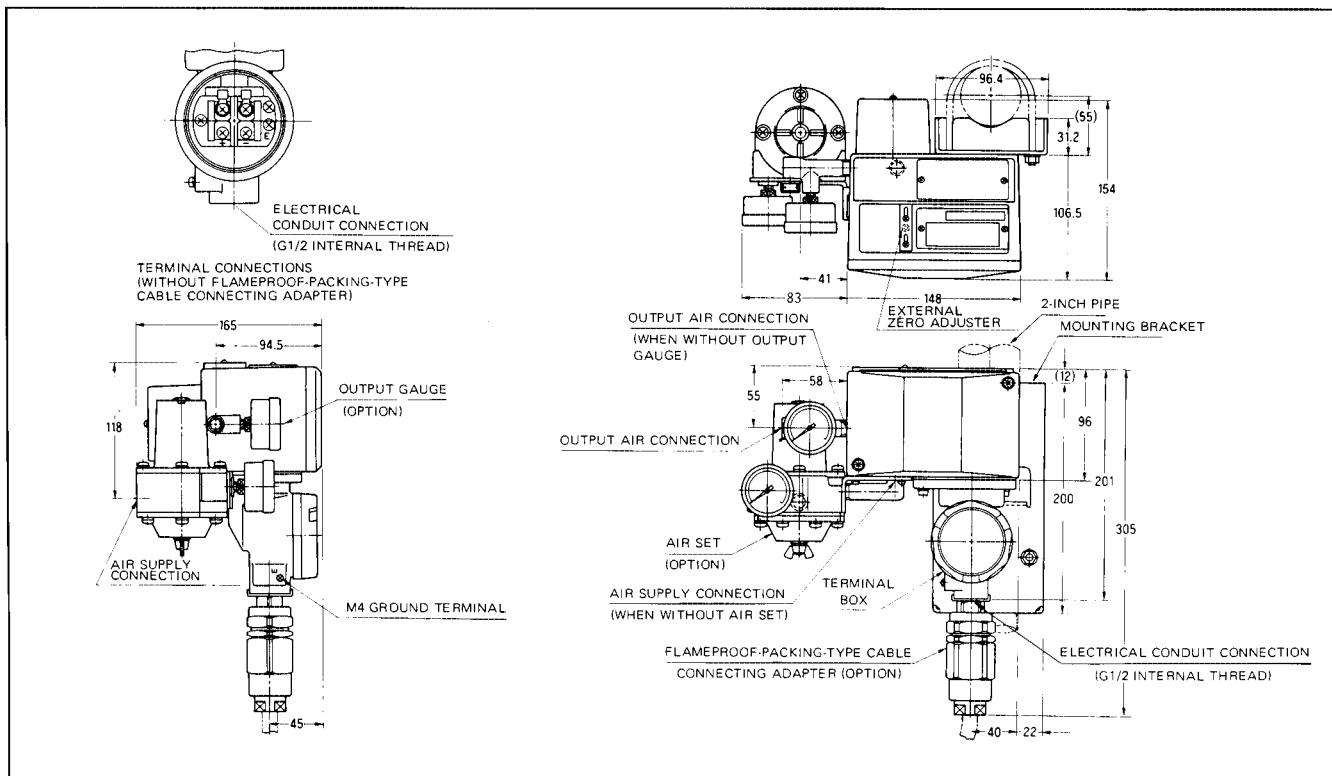
Standard Specifications

Item	Specifications
Input signal	4 to 20mA DC (Maximum allowable current approx. 30mA.)
Input resistance	250 ohms MAX.
Output signal	0.2 to 1.0kgf/cm ² {20~98kPa}, 3 to 15 psi, 0.2 to 1.0 bar, 20 to 100kPa (Maximum allowable pressure 2kgf/cm ² {200kPa})
Air supply pressure	1.4kgf/cm ² {140kPa} ± 10%
Air consumption	4Nℓ/min, (With output 50% balanced)
Maximum air supply capacity	110Nℓ/min.
Maximum air exhaust capacity	110Nℓ/min.
Minimum load capacity	I.D. 4mm copper tube×3m+20cc (Note: Use a volume tank if load capacity is not enough.)
Air piping connections	Rc1/4, 1/4NPT internal thread
Electrical conduit connection	G1/2 internal thread
Material of major components	Aluminum alloy
Operating temperature range	Waterproof, dustproof type: -30 to +80°C JIS Flame-proof and Intrinsic-safety explosionproof type: -10 to +60°C, FM Flame-proof and Intrinsic-safety explosionproof type: -30 to +80°C
Operating humidity range	10 to 90%RH
Accuracy	±0.5%FS
Hysteresis error	Within 0.5%FS
Temperature effect	Zero shift: ±3%FS/30°C MAX. Span shift: ±2%FS/30°C MAX.
Mounting	2-inch pipe (Horizontal or vertical)
Net weight	Approx. 3kg
Finish and color	Finish: Acryl baked finish Color: Case; Dark beige, Cover; Black PPS resin, Terminal box cover; Light beige
Construction	JIS C 0920 Watertight, JIS F 8001 Class 3 Splashproof structure JIS C 0903 d2G4 Flame-proof explosion-proof structure JIS C 0903 i3aG5 Intrinsic-safety explosion-proof structure, using Zener barrier 8907/51-24/45 (Approval No.29911) FM Flame-proof structure: Class I, Division 1, Group B, C, D, NEMA TYPE 4X FM Intrinsic-safety structure: Class I, II, III, Division 1, Group A, B, C, D, E, F, G, NEMA TYPE 4X

Model Number Table

Basic Model No.	Selections						Options	Description
	Power Supply	Case type	Input	Output	Connections	Environments		
KUX113	-X							Field-type I/P converter
								Not necessary
		W						JIS Waterproof
		E						JIS Flame-proof explosion-proof
		H						JIS Intrinsic-safety explosion-proof
		F						FM Flame-proof explosion-proof
		M						FM Intrinsic-safety explosion-proof
			1					4 to 20mA DC
				1				0.2 to 1.0kgf/cm ² (20~98kPa)
				2				3 to 15psi
				3				0.2 to 1.0bar
				4				20 to 100kPa
					A			Rc1/4
					B			1/4NPT
						X		Standard
						A		Corrosion-resistant paint
						B		Heavy-corrosion-resistant paint
						D		Silver finish
							-X	No options
							-P	With flameproof-packing-type cable connecting adapter
						-G	With output air pressure gauge	
						-6	With by-pass set (on special order)	
						-7	With air-set	
						-J	With elbow for flame-proof type explosion-proof	
						-N	Electrical conduct connection 1/2 NPT	

Dimension Drawing



Specifications are subject to change without notice.

Yamatake Corporation

Totate International Building
2-12-19 Shibuya
Shibuya-ku Tokyo 150-8316
Tel : 81-3-3486-2216
Fax: 81-3-3486-2503

Yamatake-SIC Control Systems Co., Ltd.
Shanghai Yamatake Jinshan Control Instruments Co., Ltd.
Yamatake Korea Co., Ltd.
Yamatake (Thailand) Co., Ltd.
Yamatake Philippines, Inc.
PT. Yamatake Berca Indonesia
Yamatake Controls Singapore Pte. Ltd.
YCV Corporation

: China 86-10-6510-2505
: China 86-21-6428-8661
: Korea 82-2-785-0280-2
: Thailand 66-2-210-0900-7
: Philippines 63-2-817-6452
: Indonesia 62-21-230-5538
: Singapore 65-778-5966
: U.S.A. 1-602-548-1800

YAMATAKE

Savemation

Saving through Automation

Yamatake Industrial Systems Co.,Ltd.

<http://www.yamatake.co.jp/>

This has been printed on recycled paper.

9909-Y/Y