

Field-type P/I Converter Model KUX123

Introduction

Field-type P/I Converter (Model KUX123) converts a pneumatic signal into an electrical signal. For the converting element, the KUX123 employs a diffused silicon semiconductor sensor.



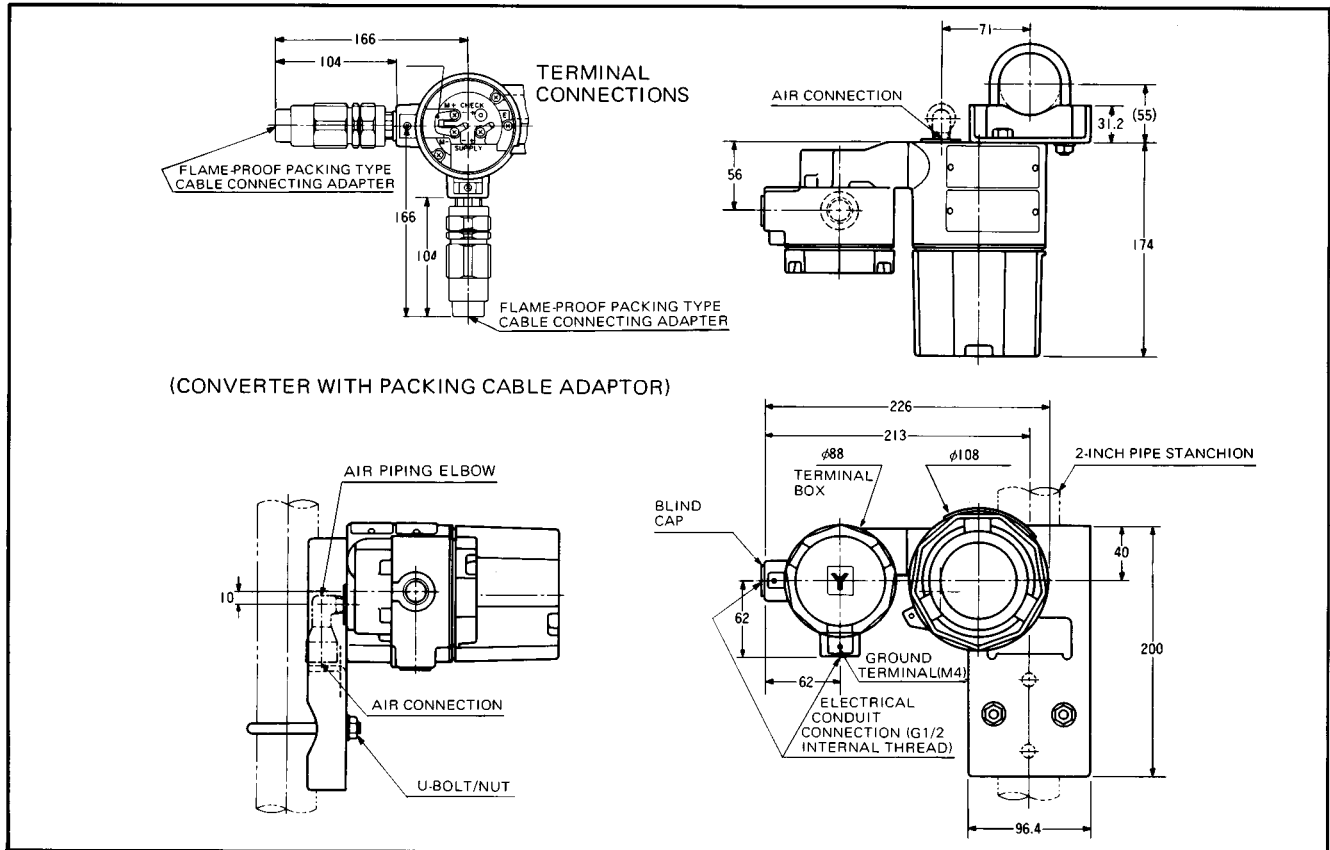
Standard Specifications

Item	Specification
Input signal	0.2~1.0kgf/cm ² {20~98kPa}, 3~15 psi, 0.2~1.0 bar, 20~100 kPa. (Maximum allowable pressure 2kgf/cm ² {200 kPa})
Output signal	4~20mA DC (Maximum allowable current approx. 30mA)
Power supply	24VDC $\pm 15\%$ -10% or 42 ± 2 VDC
Power consumption	0.48W MAX.
External load	480 ohms or less (468 ohms or less when arrester is provided) Note) The maximum load resistance is calculated as follows: With 24V supply: $R=(V-14.4)/0.02$ With 42V supply: $R=(V-32.4)/0.02$ where, R: External load resistance (ohm) V: Supply voltage (volt)
Air piping connections	Rc1/4, 1/4NPT internal thread
Electrical conduit connections	G1/2 internal thread
Material of major components	Aluminium alloy
Ambient temperature	Weatherproof type: -30 to +80°C Explosionproof type: -10 to +60°C
Ambient humidity	10 to 90% RH
Accuracy	$\pm 0.25\%$ FS
Hysteresis	$\leq 0.05\%$ FS
Temperature effect	Zero shift: $\leq \pm 0.7\%$ FS/30°C Span shift: $\leq \pm 0.7\%$ FS/30°C
Mounting	2-inch pipe stanchion (horizontal or vertical)
Net weight	Approx. 2.6kg
Finish	Finish: Acryl baked finish Color: Light beige (Munsell 4Y7.2/1.3)
Construction	Weatherproof type: JIS C 0920 Water-tight, JIS F 8001 Class 3 Splash-proof Explosionproof type: JIS C 0903 d2G4 Flame-tight Explosin-proof (JIS F 8001 Class 3 Splash-proof included)

Model Number Table

Basic Model No.	Power Supply	Selections					Options	Description
		Case	Input	Output	Connections	Environments		
KUX123	-1							Field-type P/I Converter
								Supply voltage 24 VDC
	-2							Supply voltage 42 VDC
								Weatherproof type
		W						Explosionproof type
		E						
			1					0.2~1.0 kgf/cm ² 20~98kPa
			2					3~15 psi
			3					0.2~1.0 bar
			4					20~100kPa
			5*					0~1.0kgf/cm ² 0~98kPa (on special order)
			6*					3~27 psi (on special order)
			7*					0.4~2.0kgf/cm ² 40~200kPa (on special order)
				1				4~20mADC
				3*				20~4 mADC (Reverse) (on special order)
						A		Rc $\frac{1}{4}$
						B		$\frac{1}{4}$ NPT
						X		Standard
						A		Corrosion resistant paint
						B		Heavy corrosion resistant paint
					D		Silver finish	
					-X		No options	
					-P		With one flame-proof packing type cable connecting adapter	
					-Q		With two flame-proof packing type cable connecting adapters	
					-L		With lightning arrester	
					-J		With air piping elbow (material: SUS304)	

Dimensions Drawing



Specifications are subject to change without notice.

YAMATAKE

Yamatake Corporation

Totate International Building
2-12-19 Shibuya
Shibuya-ku Tokyo 150-8316
Tel : 81-3-3486-2270
Fax: 81-3-3486-2593

Yamatake-SIC Control Systems Co., Ltd.
Shanghai Yamatake Jinshan Control Instruments Co., Ltd.
Yamatake Korea Co., Ltd.
Yamatake (Thailand) Co., Ltd.
Yamatake Philippines, Inc.
PT. Yamatake Berca Indonesia
Yamatake Controls Singapore Pte. Ltd.
YCV Corporation

: China 86-10-6326-9844/55
: China 86-21-5793-5334
: Korea 82-2-785-0280-2
: Thailand 66-2-210-0900-7
: Philippines 63-2-817-6452
: Indonesia 62-21-230-5538/5539
: Singapore 65-778-5966
: U.S.A. 1-602-548-1800

Savemation

Saving through Automation

Yamatake Industrial Systems Co., Ltd.

<http://www.yamatake.co.jp/>

This has been printed on recycled paper.

9908-Y/Y