

Item 28-2 (Well for Liquid Fill type)

DIMENSION DRAWING

UNIT : mm

< Model KFZ1-16²2-30 >

1

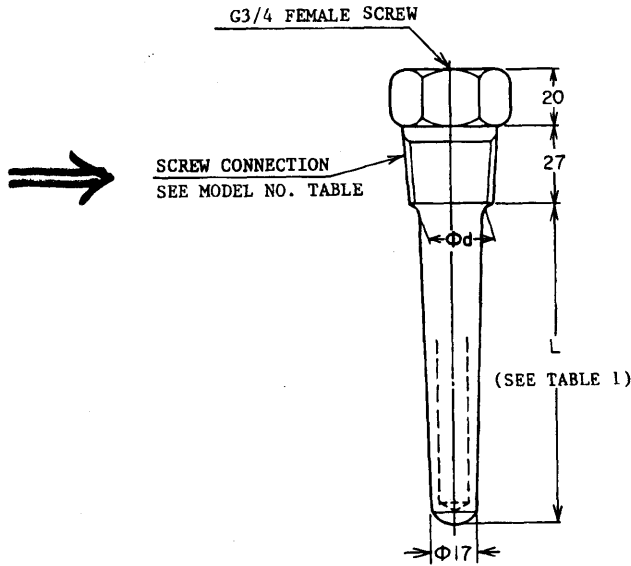


TABLE 1 WELL DIMENSIONS

MARK	INSERTION LENGTH L(mm)	ϕd
-15	150	18
-20	200	19
-25	250	19
-30	300	20
-35	350	21
-40	400	22
-45	450	22
-50	500	22

MODEL NUMBER TABLE

BASIC MODEL NUMBER	SELECTIONS			OPTION	DESCRIPTION
	TYPE	CONNECTION	MAT'L		
K F Z 1					WELL FOR TEMPERATURE ELEMENT
	-1				DRILLED TYPE WELL FOR LIQUID FILL
		51			SCREW CONNECTION, R3/4 (PT3/4 MALE)
		52			SCREW CONNECTION, R1 (PT 1 MALE)
		61			SCREW CONNECTION, 3/4 NPT MALE
		62			SCREW CONNECTION, 1 NPT MALE
			2		SUS316
			7		SUS304
			8		SUS316L
					INSERTION LENGTH. SEE TABLE 1

1	2	3	4	5	6
REV					
		FEB. - 5. 2004			

LIQUID FILL TYPE SENSING ELEMENT USE
DRILLED TYPE SCREWED WELL

MODEL NO.

KFZ1-1

YAMATAKE
TOKYO JAPAN

DATE JUL. 3. 1987
REF. 80333333
80286632

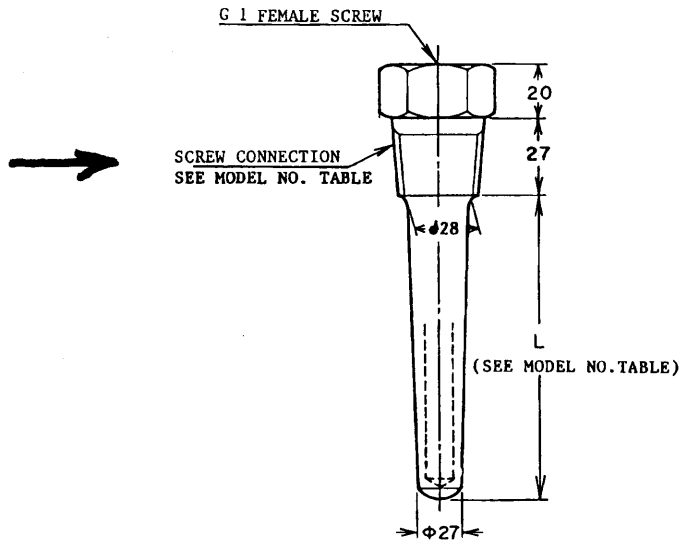
DRAWING NO.

ED-611011-72

Item 2T-2 (Well for Gas Fill type)
 < Model KFZ1-3622-30 >

DIMENSION DRAWING

UNIT : mm



MODEL NUMBER TABLE

BASIC MODEL NUMBER	SELECTIONS			OPTION	DESCRIPTION
	TYPE	CONNECTION	MAT'L		
K F Z 1					WELL FOR TEMPERATURE ELEMENT
		-3			DRILLED TYPE WELL FOR GAS FILL
			52		SCREW CONNECTION, R1 (PT 1 MALE)
			62		SCREW CONNECTION, 1 NPT MALE
				2	SUS316
				7	SUS304
				8	SUS316L
				-30	INSERTION LENGTH L = 300mm
				-35	INSERTION LENGTH L = 350mm
				-40	INSERTION LENGTH L = 400mm

1 NPT Male only

5	6
3	4
1	2

GAS FILL TYPE SENSING ELEMENT USE DRILLED TYPE SCREWED WELL		MODEL NO. KFZ1-3
		DRAWING NO. ED-611011-62
DATE JUL 3.1987		
REF. 80353333		