

Yamatake-Honeywell

SPECIFICATION

NFP 2 type Indicating Controller is a field-mount type pneumatic controller that indicates a process pressure and at the same time, transmits a controller output pneumatically by comparing it with a setpoint value.

Specifications

Sensing Element

Measuring Range:

Bellows type; 0~0.5, 0~1.0, 0~1.5, 0~2.0 kg/cm²

Spiral type; 0~3, 0~5, 0~8, 0~10, 0~15, 0~20, 0~30,
0~40, 0~50, 0~60, 0~80, 0~100, 0~150,
0~200, 0~300 kg/cm²

Pneumatic signal receiver; 0.2~1.0 kg/cm²

Materials (portions exposed to measured liquid.)

Bellows type and spiral type; SUS 316 st. st.

Pneumatic signal receiving type; Neoprene

Indication

Accuracy: ±1% FS

Scale: Concentric, 270° indication, 127 mm dia., 216 mm scale length.

Indicating pointer color:

Process variable; Red

Setpoint value; Green

Controller

Setpoint index: External setting (with a thumbwheel at a lower front part of the case.)

Type of control: PI

Controller performance:

Proportional band (P); 5~500%

Reset rate (I); 10 sec. ~ 20 min.

Output: 0.2~1.0 kg/cm²

Air supply: 1.4 ± 0.1 kg/cm²

Process piping connection:

Bellows type and spiral type:

PF¼-A (ISO R228 ¼") tap thread

Pneumatic signal receiving type:

PT¼ (ISO R7 ¼") or NPT ¼ tap thread

Signal piping connection: PT¼ (ISO R7 ¼") or NPT ¼ tap thread

Air consumption: 4 Nl/min. (in the balanced, maximum state.)

Environmental limits:

Ambient temperature; -30 ~ +65°C

Relative humidity; 10 ~ 100% RH

Mounting: Wall mounting or vertical 2-inch pipe mounting.

Case: Weatherproof

Case material; Aluminum die-cast

Cover material; Polyester with fiberglass

Finish: Acryl baking finish

(For corrosion-resistant and silver finish, refer to the optional specification.)

Color finish:

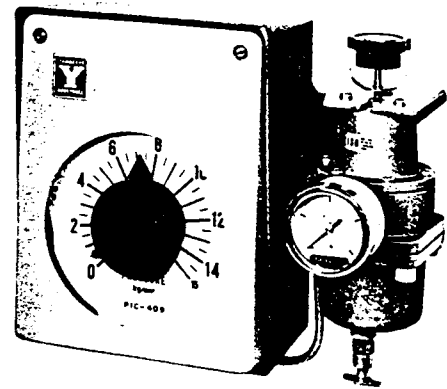
Case; Dark beige

Cover; Light beige

Net weight: Approx. 4 kg.

BULL'S EYE TYPE PNEUMATIC PRESSURE INDICATING CONTROLLER

MODEL: NFP 2



NFP2

Options (Accessories)

Following accessories are optionally available.

Item (1) ~ (3) are the standard options.

(1) Output gage set

50mm dia. pressure gage with manifold.

(2) Simplified 3-position bypass set

Air-set, output gage set and transferring unit.

(3) Air-set

Pressure regulator with filter and 50mm dia. pressure gage.

Item (4) is the semi-standard option.

(4) Corrosion-resistant and silver finish (Y138A ~ D)

Corrosion-resistant (Acryl baking) finish (Y138A);

Resistance for corrosive gases.

Corrosion-proof (Epoxy baking) finish (Y138B);

Resistance for corrosive liquids.

Silver-normal (Acryl baking) finish (Y138C);

Protection for temperature rise of device caused by direct sun light, radiation heat, etc.

Silver-corrosion-resistant (Acryl baking) finish (Y138D)

Protection for above-mentioned temperature rise and resistance for corrosive gases.

(Note: Silver finish is not applicable for alkaline gases.)

Yamatake-Honeywell Co. Ltd.

Process Control Division

Sales Headquarters : Nagai International Bldg., 12-19, Shibuya 2 chome, Shibuya-ku, Tokyo, 150 Japan

Tel : (03) 409-7171 Telex : J22902 Cable : YAMATAKE CO

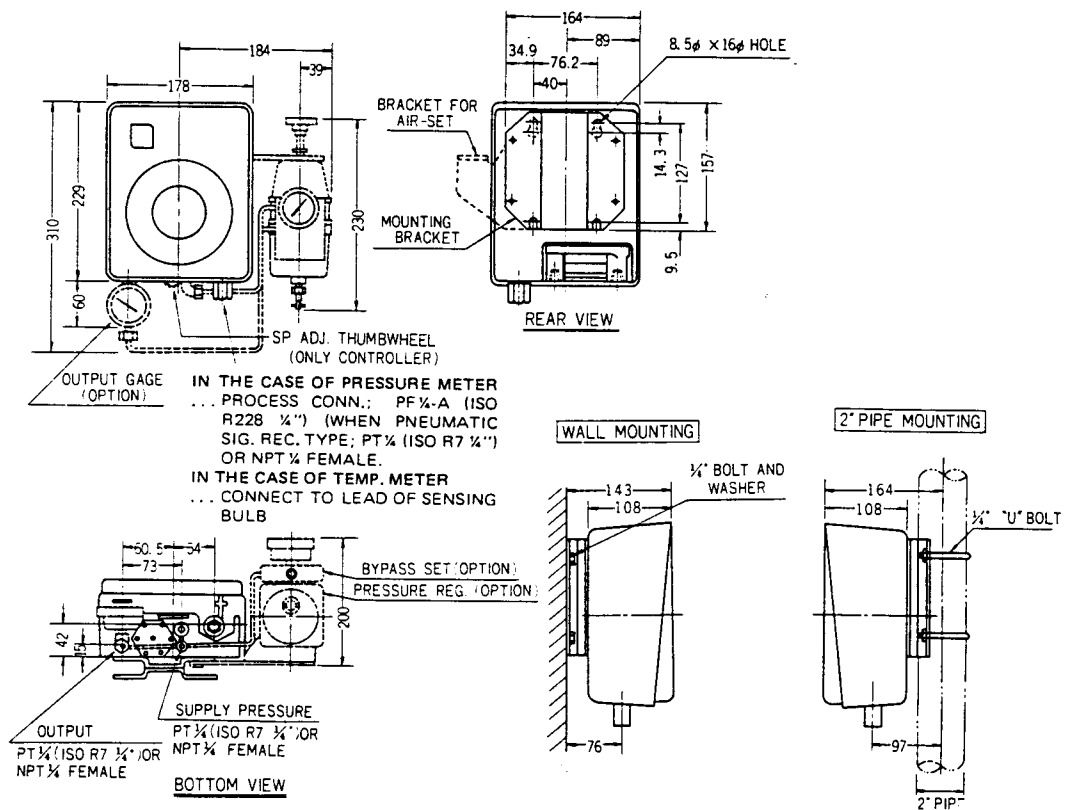
Model Number Table

Ex. NFP2-11-1

| Basic Model No. | | I | II | III | Description |
|-----------------|--------------|-------------|-----------------|--------|--|
| Type | Control Type | Sensor Type | Mounting Method | Option | |
| NFP | | | | | Pneumatic Pressure Indicating Controller |
| | 2 | | | | PI Mode |
| | | -1 | | | Spiral Type |
| | | -2 | | | Bellows Type |
| | | -6 | | | Pneumatic Signal Receiver Type |
| | | | 1 | | Wall Mounting |
| | | | 2 | | 2-inch Pipe Mounting |
| | | | | -X | No Selection |
| | | | | -1 | Output Gage Set |
| | | | | -2 | Simplified 3-position Bypass Set |
| | | | | -7 | Air-Set |

Note:
When specifying semi-standard option (Y□) not listed in model no. table, please write as:
NFP2Y-11-1 (Y□).

Dimensions



Note: Vertically mount the transmitter. Do not exceed 10 degrees from vertical in either direction.

Ordering Information

When ordering, please specify:

- 1) Model Number
- 2) Measuring Range
- 3) Optional Equipment

- * Specifications are subject to change without notice.
- * Reference instruction manual ... FP-7021