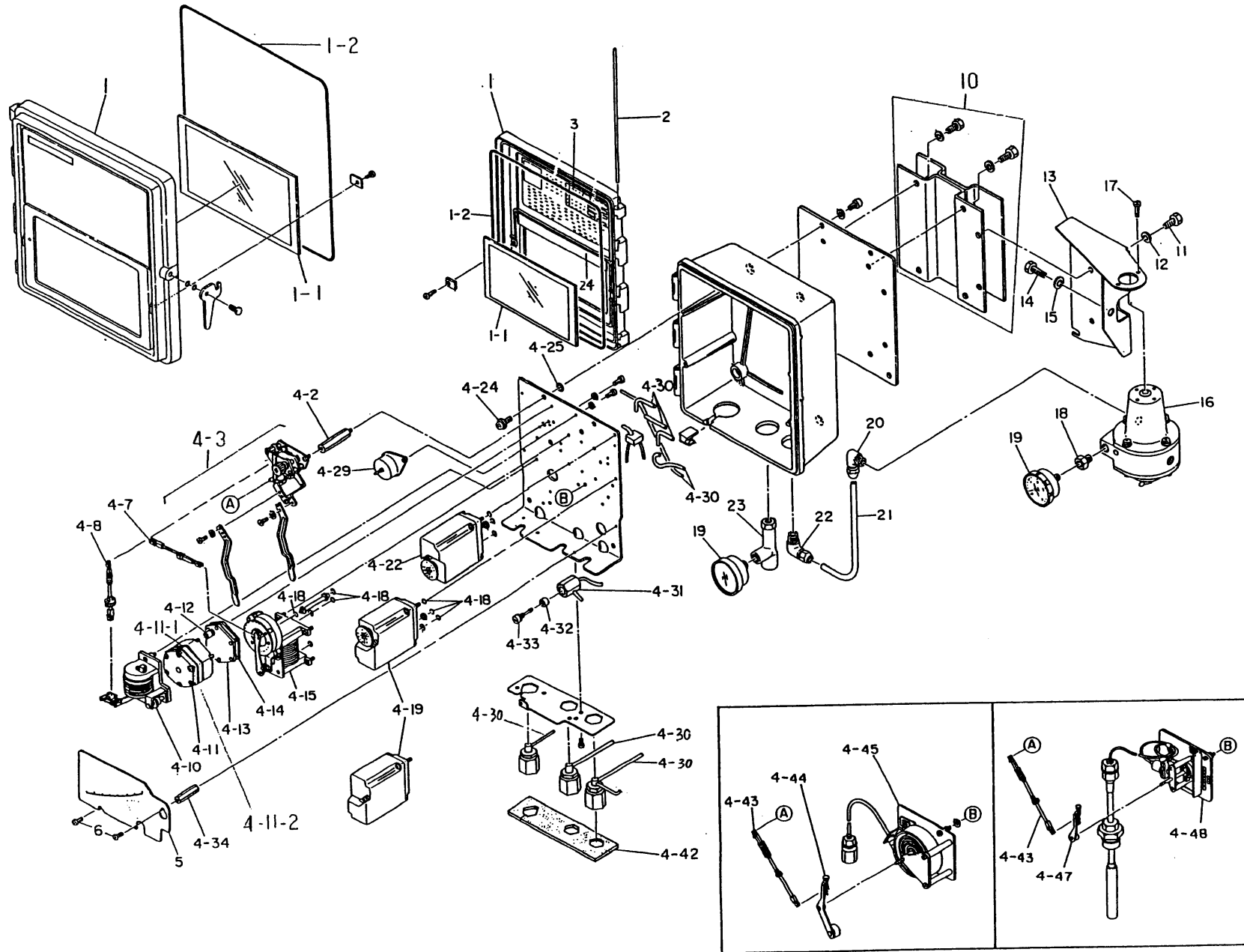


KG Series Field Mounted Controller (KGTA,KGPA)

KG1-01-12



| Key No. | Description | Quantity | Part No. |
|---------|--|----------|----------------|
| 1 | door ass'y | 1 | 80331421-00100 |
| 1-1 | window | 1 | 80331429-00100 |
| 1-2 | gasket | 2 | 80331560-00100 |
| 2 | shaft | 1 | 80331430-00100 |
| 3 | name plate | 1 | 80331619-00200 |
| 4 | chassis assemble | - | - |
| 4-2 | stud | 2 | 80353192-00100 |
| 4-3 | indicating mechanism | 1 | 82737081-00100 |
| 4-3 | indicating mechanism:dumping | 1 | 80332509-00100 |
| 4-7 | link | 1 | 80353232-00100 |
| 4-8 | over travel link ass'y | 1 | 80068253-00200 |
| 4-10 | receiver unit : only signal | 1 | 80331503-00100 |
| 4-11 | pilot valve ass'y kit | 1 | 80353177-00200 |
| 4-11-1 | gasket | 1 | 80020247-00100 |
| 4-11-2 | screw | 3 | HS398504-37200 |
| 4-12 | restriction ass'y | 1 | 80355307-00100 |
| 4-13 | gasket : alumi | 1 | 80331651-00200 |
| 4-14 | gasket | 1 | 80331651-00100 |
| 4-15 | controller unit | 1 | 80353200-00200 |
| 4-18 | "o" ring | 9 | 80020935-0150C |
| 4-19 | rate unit (for PID action) | 1 | 80353158-00300 |
| 4-19 | chamber ass'y(for PI action) | 1 | 80331892-00100 |
| 4-22 | reset unit (for PI action) | 1 | 80353158-00400 |
| 4-24 | screw | 4 | HS398506-14200 |
| 4-25 | retaining ring | 4 | 80235519-00800 |
| 4-29 | nozzle chamber ass'y(for PID action) | 1 | 80066942-00100 |
| 4-30 | tube | 2 | 80068560-00110 |
| 4-31 | manifold ass'y | 1 | 80331425-00100 |
| 4-32 | filter | 1 | 80069548-00100 |
| 4-33 | restriction sleeve ass'y | 1 | 80068805-00300 |
| 4-34 | stud | 1 | 80353192-00300 |
| 4-42 | gasket | 1 | 80331448-00100 |
| 4-43 | overtravel link (KGPA) | 1 | 80266453-00100 |
| 4-44 | span adjust for spiral (KGPA) | 1 | 80353354-00100 |
| 4-45 | spiral element ass'y (KGPA) 0-300kPa | 1 | 80353334-00300 |
| 4-45 | spiral element ass'y (KGPA) 0-500kPa | 1 | 80353334-00500 |
| 4-45 | spiral element ass'y (KGPA) 0-1000kPa | 1 | 80353334-01000 |
| 4-45 | spiral element ass'y (KGPA) 0-1500kPa | 1 | 80353334-01500 |
| 4-45 | spiral element ass'y (KGPA) 0-2000kPa | 1 | 80353334-02000 |
| 4-45 | spiral element ass'y (KGPA) 0-3500kPa | 1 | 80353334-03500 |
| 4-45 | spiral element ass'y (KGPA) 0-5000kPa | 1 | 80353334-05000 |
| 4-45 | spiral element ass'y (KGPA) 0-10MPa | 1 | 80353334-10000 |
| 4-47 | span adjust for temperature element (KGTA) | 1 | 80353350-00100 |
| 4-48 | temperature element ass'y (KGTA) 0-50°C | 1 | 80331453-05000 |
| 4-48 | temperature element ass'y (KGTA) 0-100°C | 1 | 80331453-10000 |
| 4-48 | temperature element ass'y (KGTA) 0-150°C | 1 | 80331453-15000 |
| 4-48 | temperature element ass'y (KGTA) 0-200°C | 1 | 80331453-20000 |
| 4-48 | temperature element ass'y (KGTA) 0-300°C | 1 | 80331453-30000 |
| 5 | scale 0-100% | 1 | 80428752-00900 |
| 5 | scale 0-50°C | 1 | 80428752-01000 |
| 5 | scale 0-100°C | 1 | 80428752-01100 |
| 5 | scale 0-150°C | 1 | 80428752-01200 |
| 5 | scale 0-20X10°C | 1 | 80428752-01300 |

| Key No. | Description | Quantity | Part No. |
|---------|--|----------|----------------|
| 5 | scale 0-30X10°C | 1 | 80428752-01400 |
| 5 | scale 0-3X100kPa | 1 | 80428752-10100 |
| 5 | scale 0-5X100kPa | 1 | 80428752-10200 |
| 5 | scale 0-10X100kPa | 1 | 80428752-10300 |
| 5 | scale 0-15X100kPa | 1 | 80428752-10400 |
| 5 | scale 0-20X100kPa | 1 | 80428752-10500 |
| 5 | scale 0-35X100kPa | 1 | 80428752-10600 |
| 5 | scale 0-50X100kPa | 1 | 80428752-10700 |
| 5 | scale 0-10MPa | 1 | 80428752-10800 |
| 6 | screw | 2 | HS311530-06200 |
| 10 | mounting bracket kit | 1 | 82737000-00100 |
| 11 | bolt | 2 | HS349208-00120 |
| 12 | washer | 2 | HS231225-0000C |
| 13 | bracket | 1 | 80331620-00100 |
| 14 | bolt | 1 | HS349210-00140 |
| 15 | washer | 1 | HS231232-00000 |
| 16 | Pressure Regulator with Filter : Rc1/4 : Y-138A | 1 | 80330420-00100 |
| 16 | Pressure Regulator with Filter : 1/4NPT : Y-138A | 1 | 80330420-00200 |
| 16 | Pressure Regulator with Filter : Rc1/4 : Y-138B | 1 | 80330420-00300 |
| 16 | Pressure Regulator with Filter : 1/4NPT : Y-138B | 1 | 80330420-00400 |
| 17 | screw | 2 | HS398204-0800C |
| 18 | bushing: Rc1/8 R1/4 | 1 | 80021898-0010C |
| 18 | bushing: Rc1/8 R1/4 (SUS) | 1 | 80021898-00300 |
| 18 | bushing: Rc1/8 1/4NPT | 1 | 80021898-0050C |
| 18 | bushing: Rc1/8 1/4NPT (SUS) | 1 | 80021898-00600 |
| 19 | pressure gage: 0-200KPA | 1 | 82735282-0010F |
| 19 | pressure gage: 0-2bar | 1 | 82735282-0250F |
| 19 | pressure gage: 0-30psi | 1 | 82735282-0410F |
| 20 | nipple: R1/4 | 1 | 80014754-00100 |
| 20 | nipple: 1/4NPT | 1 | 80014754-00200 |
| 21 | pipe | 1 | 80331621-00100 |
| 22 | nipple: R1/4 | 1 | 80014754-00100 |
| 22 | nipple: 1/4NPT | 1 | 80014754-00200 |
| 23 | tee: R1/4 | 1 | 80028413-00100 |
| 23 | tee: 1/4NPT | 1 | 80028413-00200 |
| 24 | tag plate | 1 | 80331431-00100 |