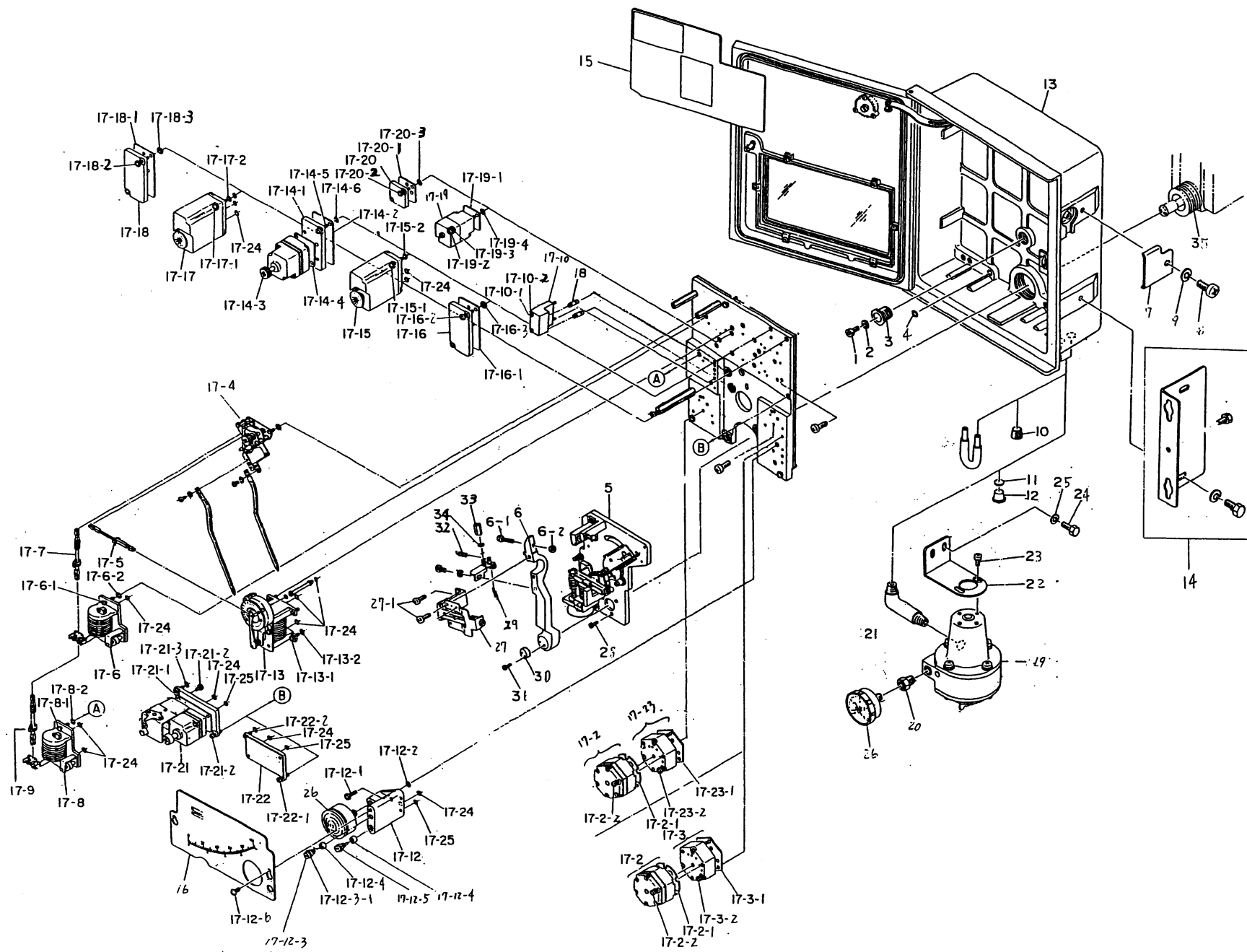


KF Series (KFDB/KFKB)
Field Mounted Instrument

KF3-01-11



Key No.	Description	Quantity	Part No.
1	Screw (for model KFDB44)	1	HS168320-14500
1	Screw (excepting model KFDB44)	1	HS168320-10500
2	washer	1	HS237120-20000
3	bushing	1	80025375-0010C
4	"o" ring	5	80020935-01900
5	mechanical base assembly (see separate parts list No. KDP-07-11)	-	-
6	primary beam assembly	1	80355461-00100
6-1	flapper	1	80025619-00100
6-2	tension nut	1	80265885-00100
7	bracket, for shield of air purge hole	1	80353080-00100
8	screw, for shield air purge hole	1	HS349208-00120
9	washer, for shield of air purge hold	1	HS231225-0000C
10	plug, for Rc connection	8	80253894-0220C
10	plug, for NPT connection	8	80253894-02900
11	filter screen	5	80025871-0010C
12	plastic plug, for shipment	5	HS400002-0000C
13	case and door assembly (see separate parts list No. KF1-02-11)	-	-
14	bracket, for panel or wall mounting kit	1	82736993-00100
15	name plate, Japanese	1	80353092-00200
15	name plate, English	1	80353093-00200
16	scale: 1color (black)	1	80353366-00100
16	scale: 2color	1	80353366-00200
17	circuit board assembly	-	-
17-2	pilot valve assy	2	80353177-00200
17-2-1	gasket	2	80020247-00100
17-2-2	screw	6	HS398504-37200
17-3	tank assebbly kit	1	80353368-00100
17-3-1	gasket	1	80353372-00100
17-3-2	screw	3	HS398504-25200
17-4	indicating mechanism, for local control type	1	80353120-00100
17-4	indicating mechanism, for cascaded control type	1	80353120-00200
17-4	indicating mechanism, for non control type	1	80353120-00300
17-5	link	1	80353232-00100
17-6	reciver unit, for cascaded type	1	80353240-00100
17-6-1	screw	2	HS398503-10200
17-6-2	retaining ring	2	80235519-0010C
17-7	overtravel link, for cascaded control type	1	80068252-00100
17-8	reciver unit	1	80353240-00100
17-8-1	screw	2	HS398503-10200
17-8-2	retaining ring	2	80235519-0010C
17-9	overtravel link	1	80068253-00200
17-10	manifold assembly	1	80355445-00100
17-10-1	screw	2	HS309530-4020L
17-10-2	washer	2	HS231704-20000
17-12	manifold assembly, KFDB**, KFKB**	1	82736998-00200
17-12	manifold assembly, KFDB00, KFKB00	1	82736998-00400
17-12-1	screw	2	HS398503-10200
17-12-2	retaining ring	2	80235519-0010C
17-12-3	restriction sleeve assembly: KFDB**, KFKB**	1	80068805-00300
17-12-3	restriction sleeve assembly: KFDB00, KFKB00	1	80069138-00100
17-12-3-1	"o" ring: KFDB00, KFKB00	1	80020935-0050C
17-12-4	filter	2	80069548-00100
17-12-5	restriction sleeve assembly	1	80068805-00300
17-12-6	screw	1	HS311530-06200
17-13	controller unit, for proportional type	1	80353200-00100
17-13	controller unit, for on - off type	1	80353388-00100
17-13	controller unit, for differential gap action	1	80353383-00100
17-13-1	screw	4	HS398503-10200
17-13-2	retaining ring	4	80235519-0010C
17-14	M/R unit, for manual reset	1	80353358-00100
17-14-1	access plate kit	1	80353178-00200
17-14-2	gasket	1	80353182-00100
17-14-3	pressure regulator assembly	1	80353308-00100
17-14-4	gasket	1	80353359-00100
17-14-5	screw	2	HS398503-10200
17-14-6	retaining ring	2	80235519-0010C
17-15	reset unit, for integrating action	1	80353158-00100
17-15-1	screw	2	HS398503-20200

Key No.	Description	Quantity	Part No.
17-15-2	retaining ring	2	80235519-0010C
17-16	access plate kit, for M/R or on - off type	1	80353178-00200
17-16-1	gasket	1	80353182-00100
17-16-2	screw	2	HS398503-10200
17-16-3	retaining ring	2	80235519-0010C
17-17	rate unit, for differential gap action	1	80353158-00200
17-17-1	screw	2	HS398503-20200
17-17-2	retaining ring	2	80235519-0010C
17-18	access plate kit, w/o rate unit	1	80353178-00200
17-18-1	gasket	1	80353182-00100
17-18-2	screw	2	HS398503-10200
17-18-3	retaining ring	2	80235519-0010C
17-19	batch switch unit, for batch control	1	80353399-00100
17-19-1	gasket	1	80353183-00100
17-19-2	screw	2	HS309530-4020L
17-19-3	washer	2	HS231204-0000C
17-19-4	retaining ring	2	80235519-0010C
17-20	access plate kit, w/o batch switch	1	80353178-00100
17-20-1	gasket	1	80353183-00100
17-20-2	screw	2	HS398503-10200
17-20-3	retaining ring	2	80235519-0010C
17-21	manual controller unit, for A/M switch	1	80353282-00100
17-21-1	gasket	1	80353307-00100
17-21-2	screw	4	HS398503-10200
17-21-3	retaining ring	2	80235519-0010C
17-22	access plate kit, w/o A/M switch	1	80353185-00100
17-22-1	screw	2	HS398503-10200
17-22-2	retaining ring	2	80235519-0010C
17-23	tank assebbly kit, for KFDB2□,4□/KFKB2□,4□	1	80353368-00200
17-23	tank assebbly kit, for KFDB1□,3□/KFKB1□,3□	1	80353368-00300
17-23-1	gasket	1	80353372-00100
17-23-2	screw	3	HS398504-25200
17-24	"o" ring	24	80020935-0150C
17-25	"o" ring	10	80020935-01900
18	conector assembly	2	80068662-00400
19	Pressurre Regulator with Filter : Rc1/4 : Y-138A	1	80330420-00100
19	Pressurre Regulator with Filter : 1/4NPT : Y-138A	1	80330420-00200
19	Pressurre Regulator with Filter : Rc1/4 : Y-138B	1	80330420-0030C
19	Pressurre Regulator with Filter : 1/4NPT : Y-138B	1	80330420-0040C
20	bushing: Rc1/8 R1/4	1	80021898-0010C
20	bushing: Rc1/8 R1/4 (SUS)	1	80021898-00300
20	bushing: Rc1/8 1/4NPT	1	80021898-0050C
20	bushing: Rc1/8 1/4NPT (SUS)	1	80021898-00600
21	nipple R1/4	1	80330405-00100
21	nipple 1/4NPT	1	80330405-00200
22	braket	1	80330401-00200
23	screw	2	HS398204-0800C
24	bolt	1	HS349208-00160
25	washer	1	HS231225-0000C
26	pressure gage: 0-200KPA	1	82735282-0010F
26	pressure gage: 0-2BAR	1	82735282-0250F
26	pressure gage: 0-30psi	1	82735282-0410F
27	elevation unit kit	1	80355470-00200
27	high elevation unit kit	1	80355470-00300
27	suppression unit kit	1	80355470-00100
27-1	screw	4	HS398504-1020L
28	screw (excepting models KFDB□□-44)	3	HS167308-1050F
28	screw (for models KFDB□□-44)	3	HS167308-12500
29	spring	1	80355462-00200
30	clamp	1	80271765-00100
31	screw	2	80086700-04700
32	spring	1	80355469-00100
33	nut	1	80355468-00100
34	washer	1	HS390503-02000
35	meter body assembly		Consult to sales