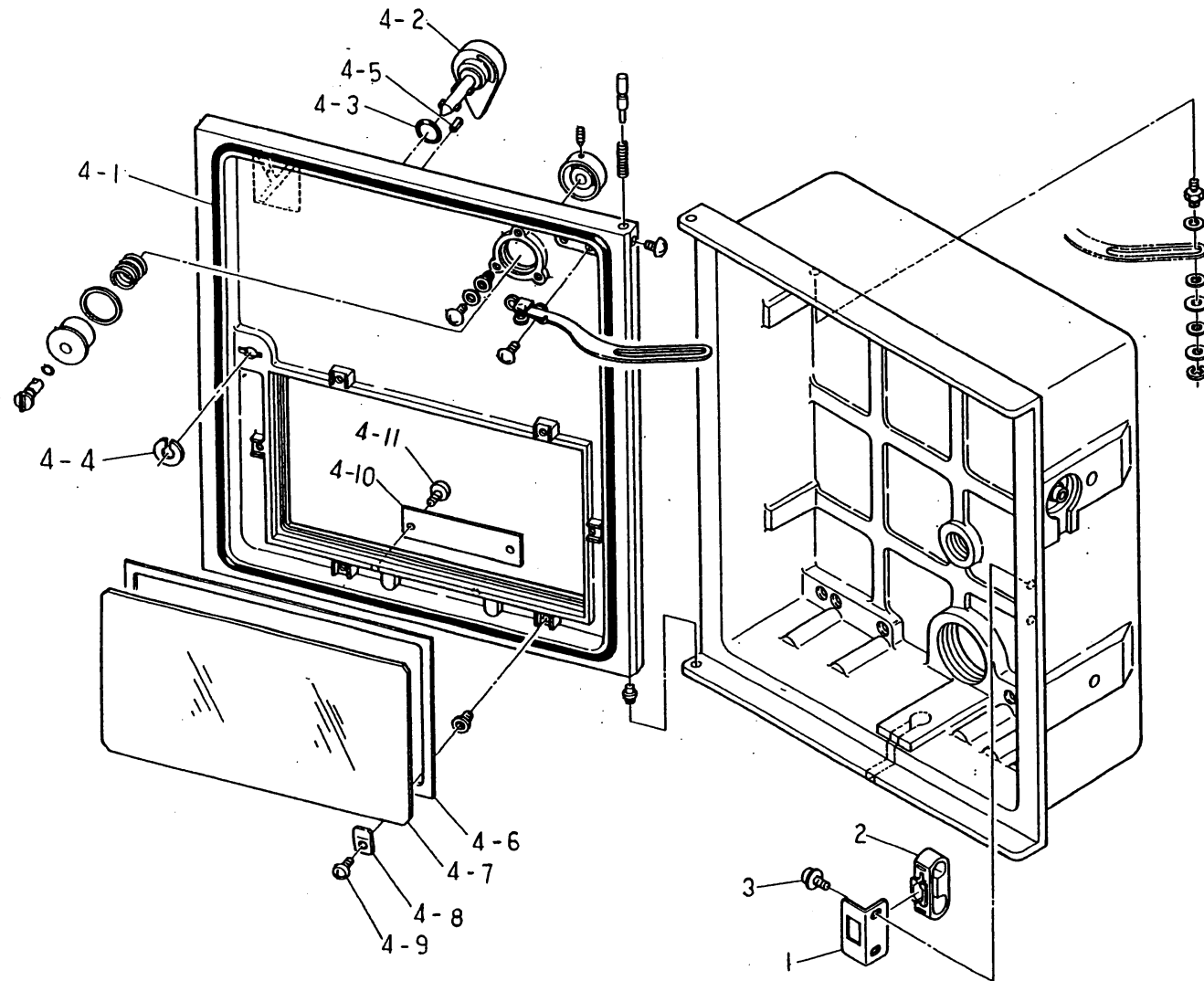


K.F. Series Field Mounted Controller Case and Door Assembly

KF1-02-11



KF Series Case & Door Assembly

KF1-02-11
2001/3/29

Key No.	Description	Quantity	Part No.
1	bracket	1	80353097-00100
2	receptacle	1	80353096-00300
3	screw	2	HS398503-06200
4	door assembly, w/o ESP knob (Blank tag no.)	1	80353103-00100
4	door assembly, with ESP knob (Blank tag no.)	1	80353103-00200
4-1	gasket (Required 2m/pc)	2	80010109-00200
4-2	knob made by resin	1	80353111-00100
4-2	door knob & receptacle assembly made by stainless steel (Refer to KFG-014 on Market information)	1	82736980-00100
4-3	"o" ring	1	80020935-12500
4-4	washer	1	80353112-00100
4-5	spring pin	1	HS262220-0800C
4-6	gasket	1	80353109-00100
4-7	glass	1	80353108-00100
4-8	clamp	6	80353110-00100
4-9	screw	6	HS398503-06200
4-10	tag plate: STD	1	80231161-0010F
4-10	tag plate: SUS	1	82736999-00500
4-11	screw for STD	2	HS311225-05000