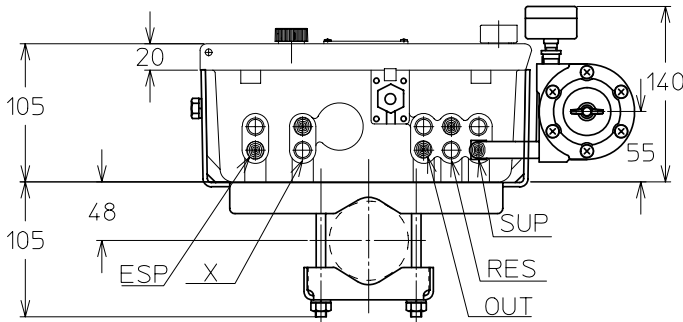
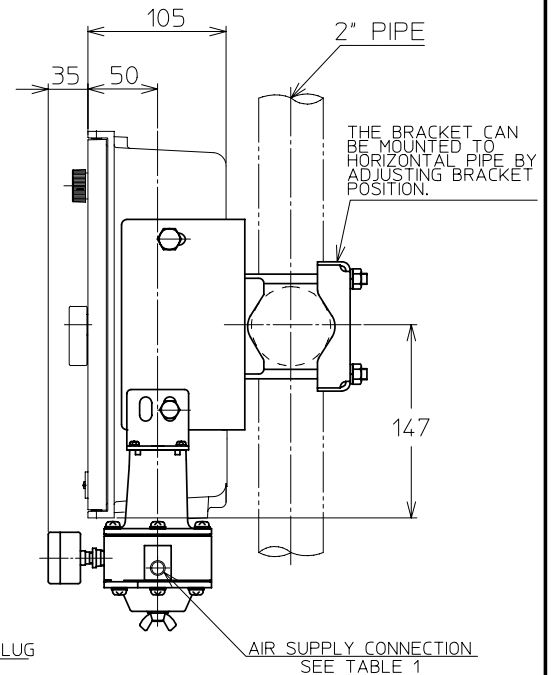
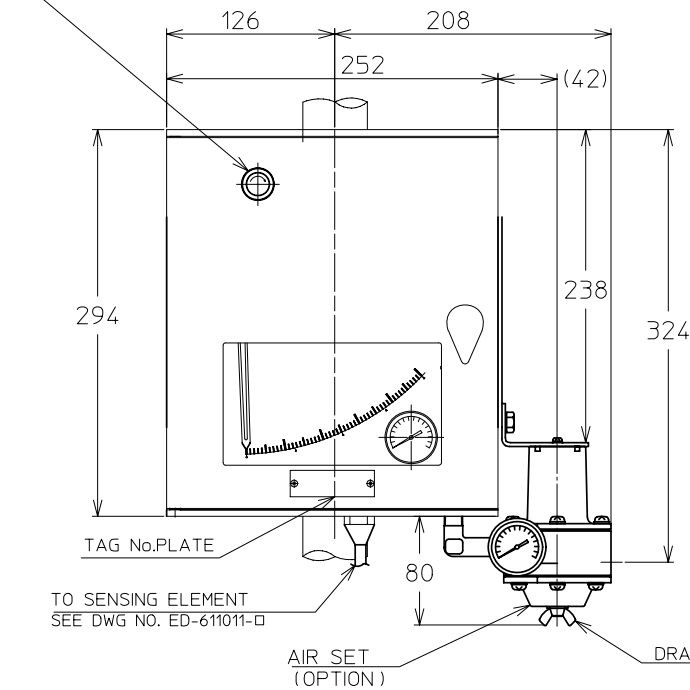


DIMENSION DRAWING

UNIT : mm

SP SETTING KNOB(OPTION)



AIR CONNECTIONS(SEE NOTE1&2)

- Rc1/4(PT1/4 FEMALE)
- 1/4NPT FEMALE

LEGEND

ESP : EXTERNAL SET-POINT SIGNAL
 X : PNEUMATIC PRESSURE TRANSMITTING SIGNAL
 OUT : CONTROLLED OUTPUT SIGNAL
 RES : EXTERNAL RESET SIGNAL
 SUP : SUPPLY AIR PRESSURE

NOTE 1. THE HOLE NOT TO BE USED FOR CONNECTION ARE PLUGGED.
 2. FOR MANUAL RESET PROVISION, SUP AND RES HAVE BEEN PRECONNECTED.

STANDARD SPECIFICATIONS

- SUPPLY AIR PRESSURE : 1.4±0.14kgf/cm² , 20±2 psi
 1.4±0.14bar, 140±14 kPa
- CONTROLLED AND TRANSMITTING
- OUTPUT SIGNAL : SEE INSTRUMENT SPECIFICATION
- EXTERNAL SP AND RESET INPUT SIGNAL : SAME AS OUTPUT SIGNAL
- CASE CONSTRUCTION : WEATHER-PROOF AND DUST-PROOF
- FINISH COLOR : CASE (LIGHT BEIGE 4Y7.2/1.3), DOOR (LIGHT GRAY N8)
- NET WEIGHT : APPROX.9.4kgf (WITH OPTION)

TABLE1

MODEL	AIR PIPING CONNECTION
A	Rc1/4(PT1/4 FEMALE)
B	1/4NPT FEMALE

0	91.7.16			
1	07.3.1			
2	07.12.19			
3	10.3.1	M.H./T.F.		
4
5				

KF SERIES (FIELD MOUNT TYPE) 2"PIPE MOUNTING		MODEL NO.
TEMPERATURE INDICATING CONTROLLER		KFTA
Azbil Corporation		DRAWING NO.
DATE JUL.16,1991		ED-611011-3
REF. 80353070		

A B C D E