

SFC

Model SFC 160 / SFC 260

Smart Field Communicator

OVERVIEW

The Smart Field Communicator (SFC) allows you to establish communication with a Smart Field Instrument over the existing 4-20 mA DC lines on a 1:1 basis, covering the four major process variables of flow rate, pressure, temperature, and liquid level.



FEATURES

- With a single unit of SFC, communication can be made with the various types of Smart Field Instruments.
- The SFC can be hooked up to a loop simply by connecting the SFC to the “+” and “-” terminals of a 4-20 mA DC signal lines, without requiring to break up the loop even temporarily.
- The SFC is compact and can be hand-held.
- The SFC has an LCD display (16 characters × 2 lines).
- The SFC260 has a printer which provides a hardcopy.

SPECIFICATIONS

Ambient Temperature

SFC160 : -10 to 50 °C

SFC260 : 0 to 40 °C

Ambient Humidity

SFC160 : 10 to 90%RH

SFC260 : 10 to 80%RH

Terminal Voltage

DC 10-45V

Display

LCD, 16 characters × 2 lines

Keyboard

Touch key

Communication Cable Connection

Hookup cable

Battery Charger

100V AC, 50/60Hz

115/120V AC, 50/60Hz

200/220/240V AC, 50/60Hz

Power Source

Rechargeable battery

Charge up time : 6 hours

Operable time : 24 hours

Casing

Material

ABS resin

Color

Smoke black

Type

Portable type (hand-held type)

Selectable Items

Printer

24-character thermal printer

Weight

SFC160 : Approx. 500g

SFC260 : Approx. 700g

Accessories

Communication hookup cable with alligator clips

Communication hookup cable with easy hookups

Battery charger

Rolled thermal paper (SFC260)

Communication Functions

The SFC provides the following communications

Check and change of configuration parameters.

- Tag No.
- Type of output
- Damping time constant
- Range (Range can be changed without requiring to give any reference input)
- Pulse output
- Contact input/output
- Cold junction temperature, etc.

Check of operation data

- Instantaneous input/output values of a Smart Field Instrument can be checked.

Setting of constant-current output

- A Smart Field Instrument can be set into a constant current source of 4-20 mA DC to check the performance of the loop.

Calibration

- Zero adjustment can be made by keying in an input value equivalent to 0% of output.
- Zero adjustment can be made by applying an input equivalent to 0% of output to the Smart Field Instrument and setting that value

Diagnosis

- Performance check of Smart Field Instrument.
- Abnormality check of process
- Configuration check
- Check of communication state

Printer

The SFC260 has a 24-character printer, which allows the following:

To print out date, time, Tag No., and configuration data.

To print out date, time, Tag No., and action data as follows:

- Configuration change events can be printed out in the order of their occurrences.
- To confirm the operation data, instantaneous input/output values can be printed out.

Supported Devices

Smart ΔP/PP Transmitter	ST3000
Smart Pressure-Compensation ΔP Transmitter	ST3000
Smart Temperature and Pressure Compensation Transmitter	ST3000
Advanced Temperature Transmitter	ThermoPLUS
Smart Impression-type Liquid Level Transmitter	ALTJ3000
Smart Electromagnetic Flow Meter	MagneW3000
Smart 2-wire Electromagnetic Flow Meter	SMT3000
Smart Gas Chromatograph	SGC3000
Smart Valve Positioner	SVP3000

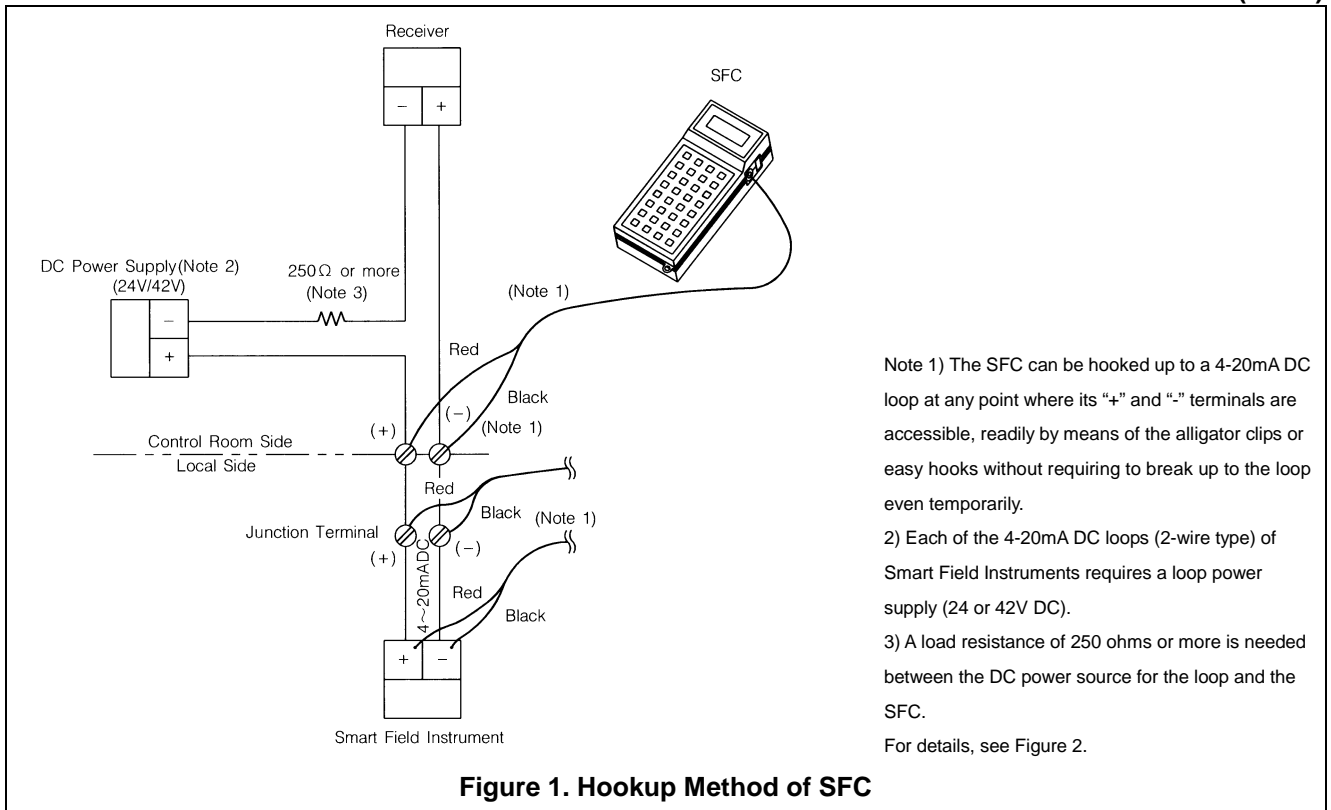
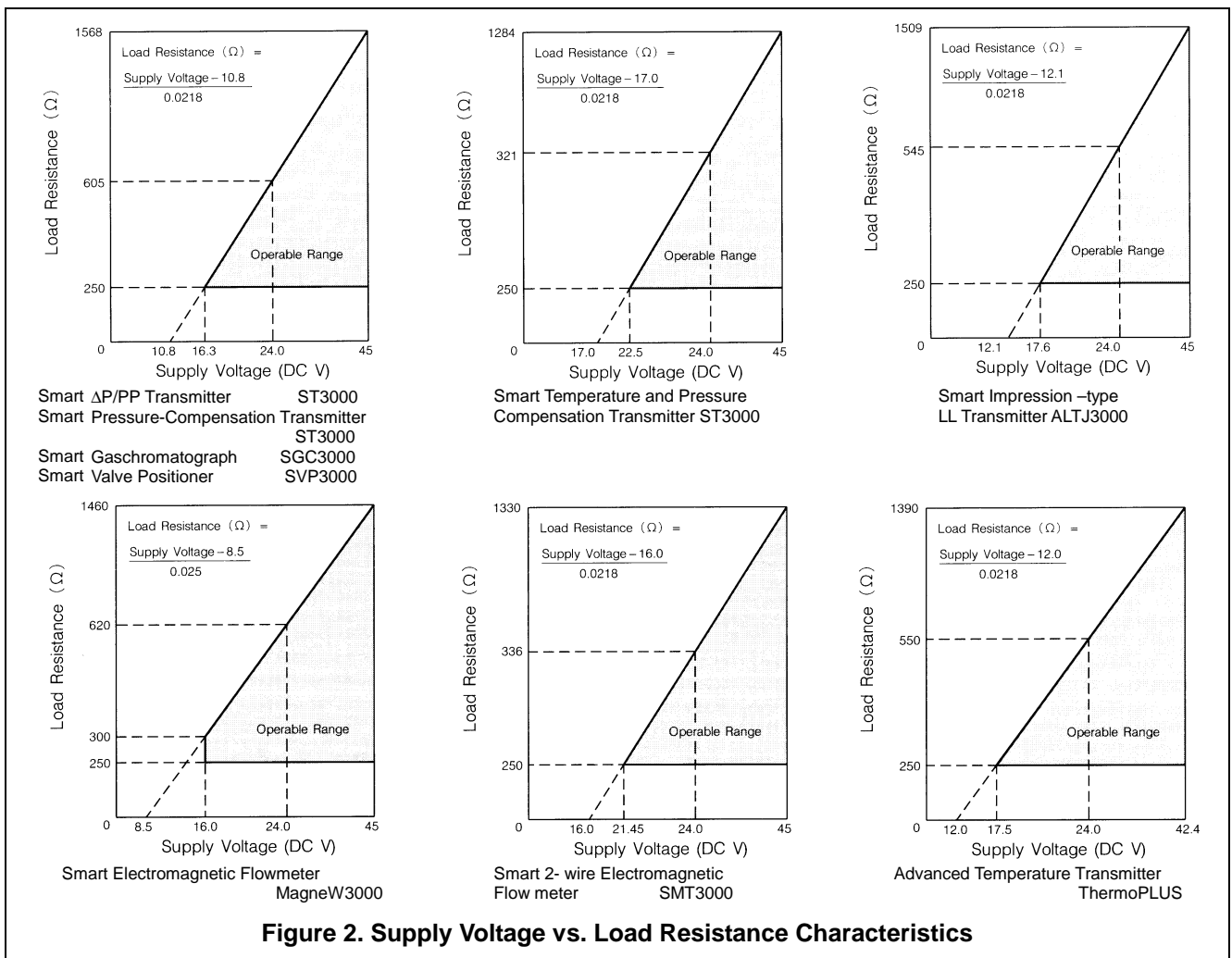


Figure 1. Hookup Method of SFC



MODEL SELECTION

Model No. SFC160 / SFC260

Ex SFC160-11X-XC

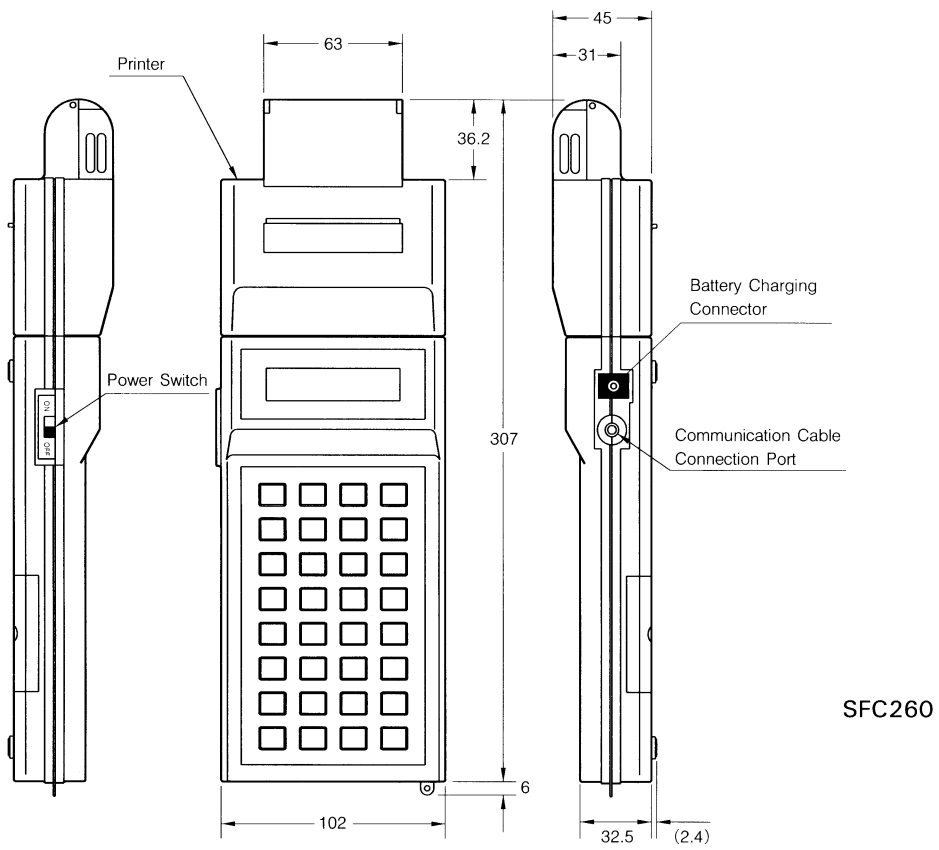
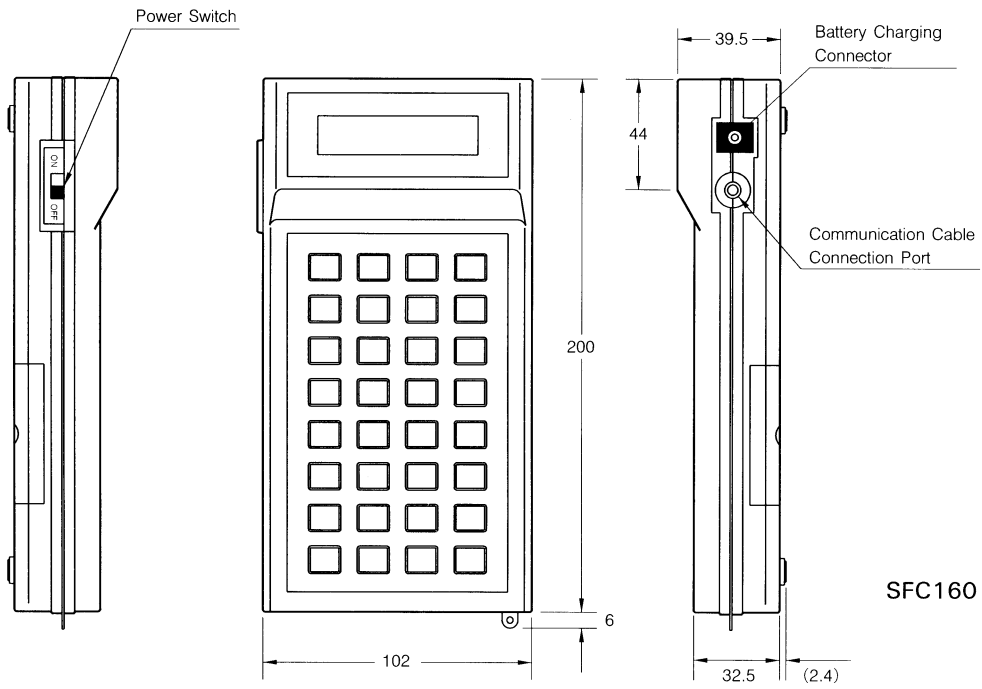
		Basic Model No.	Selection		Option	
ITEM	Description					
Basic Model No. *1	Smart Field Communicator (Standard type)	SFC160				
	Smart Field Communicator (with printer)	SFC260				
(I) Display *2 (Language, measuring unit)	English, non-SI unit		1			
	English, SI unit		2			
	English, SI unit set as default		3			
	English, inch/lb		4			
	Japanese, SI unit only		7			
(II) Battery Charger	Ac100V, 50 / 60Hz		1			
	AC115 / 120V, 50 / 60Hz		2			
	AC200 / 220 / 240V, 50 / 60Hz		3			
(III) Explosionproof	Explosion proof feature				X	
	JIS intrinsic safety (For SFC160 only)				H	
	FM Explosionproof, Division 1 (For SFC160 only)				S	
	FM Explosionproof, Division 2				N	
(IV) Option	No option					X
	With SPS board for SVP *3					P
	Without carrying case					X
	With carrying case					C

*1 SFC160 can not be modified and changed to SFC260 after delivery.

*2 Language can not be changed after delivery.

*3 This board must be needed for AVP301, 201

DIMENSIONS



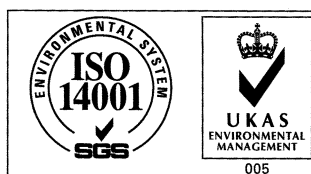
Yamatake Corporation

Totate International Building
2-12-19 Shibuya
Shibuya-ku, Tokyo 150-8316
Japan

Tel : 81-3-3486-2216
Fax : 81-3-3486-2503



Certificate No. Q17862



Certificate No. E8318
For Shonan Factory

YAMATAKE

Savemation

Saving through Automation