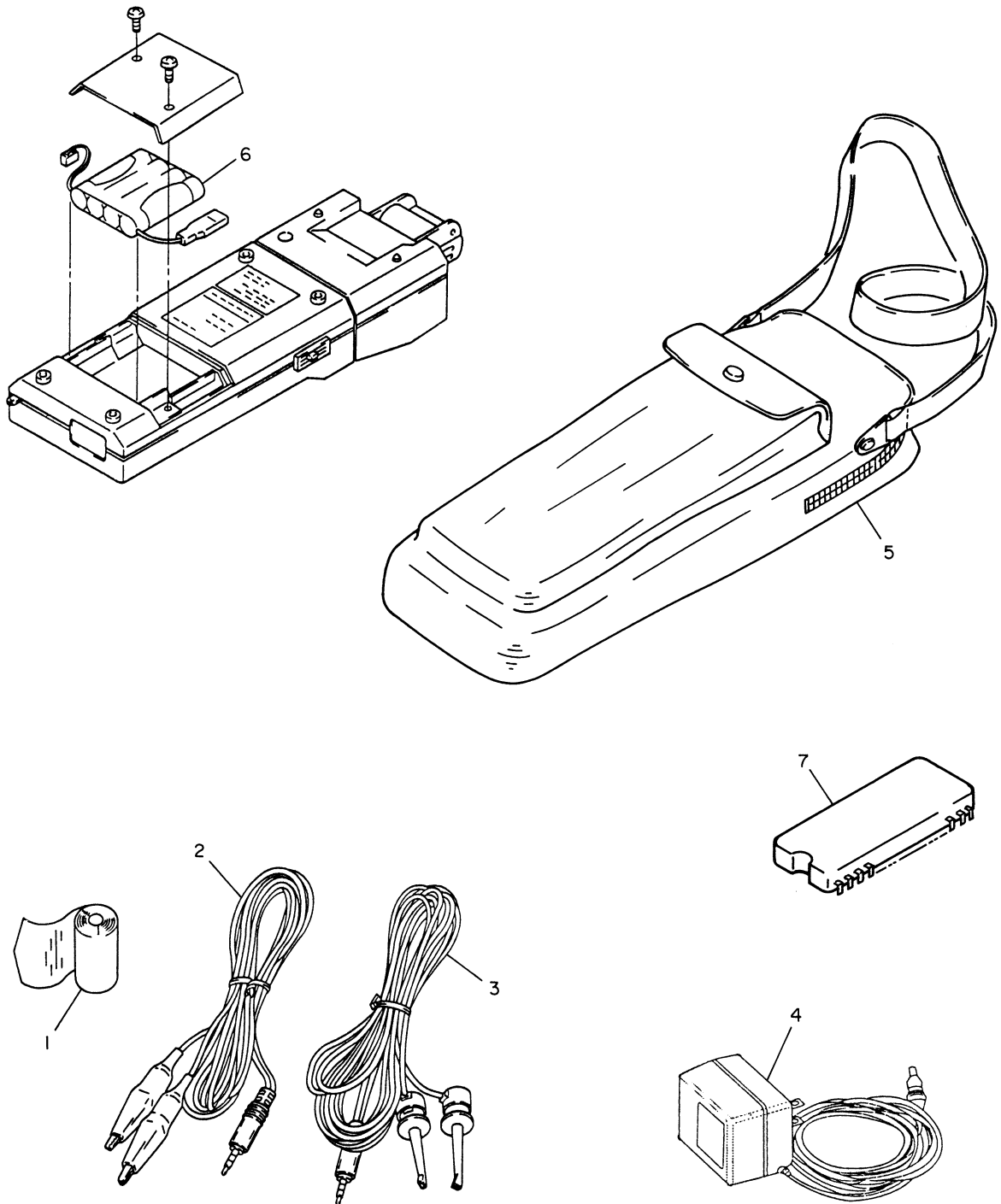


SFC

Smart Communicator

(1) Figure



Smart Communicator	First issue : 96-11-1	PL2-SFC100-0100 1 of 2
	Revision 1 : 03-3-17	

(2) Parts List

Key No.	Description	Quantity	Part No.
1	Roll paper	1	80340725-00100
2	Communication cable (Clip type)	1	80277292-00100
3	Communication cable (Hook type)	1	80277292-00200
4	Battery charger (AC100V)	1	83975145-0010F
4	Battery charger (AC115V/120V)	1	83975152-0010F
4	Battery charger (AC200V/220V/240V)	1	83975153-0010F
5	Case (SFC100/300/310)	1	80340720-00100
5	Case (SFC200/400/410)	1	80340720-00200
6	Battery assembly	1	80277288-00100
7	ROM	1	80345448-00100

Smart Communicator	First issue : 96-11-1	PL2-SFC100-0100
	Revision 1 : 03-3-17	2 of 2