

Field communication software

CommStaff™

Model CFS100

Overview

Field Communication Software CommStaff Model CFS100 allows the user to configure and adjust smart field devices using a PC.

In addition to supporting Yamatake's proprietary SFN communication protocol for smart field devices, with a change of the communication interface, CommStaff supports the HART communication protocol.

Parameter settings can be saved to simplify field device management.



Features

Supports HART and Yamatake's SFN communication protocols.

With a change of the communication interface, CommStaff supports both the HART and Yamatake's SFN communication protocols.

Ease-of-use increases field work efficiency

The ease-of-use of the five-point check function increases efficiency during loop checks.

Easy management of configured parameters

- Parameter settings can be saved by Tag No.
- As needed, parameter settings can be exported as either a CSV file (text file) or as a PDF.

Supported models

- AT9000 Advanced Transmitter GTX
- DSTJ™3000 Ace Smart Transmitter (software versions earlier than B.1 are not supported)

Note

- DE communication mode is not supported.
- We will add support for more models in stages.

Specifications

PC system

• Software

OS: Microsoft Windows 7 Professional 32-bit
(Japanese or English)

• Hardware

Available hard-disk space: 500 MB min.

USB ports: One, USB 2.0 or higher

Display: 800 × 600 pixels or more
65,536 colors or more

CD-ROM drive: Needed for installation only

Yamatake's SFN communication interface

USB connection: USB2.0

Power: Supplied via the USB port

(rated current 22 mA; max. current: 30 mA)

Connection to PC: USB Type A plug

Connection to device: Alligator clip or easy hook

Environment:

Operating temperature; 0 to 50 °C

Transport/storage temp.; 0 to 50 °C

Operating humidity; 5 to 95 % RH

HART communication interface

Yamatake recommends the following and cannot guarantee the operation of other products.

Manufacturer; MACTek Corporation

Model number; Model 010031

(USB connection type)

Model Number Configuration Table

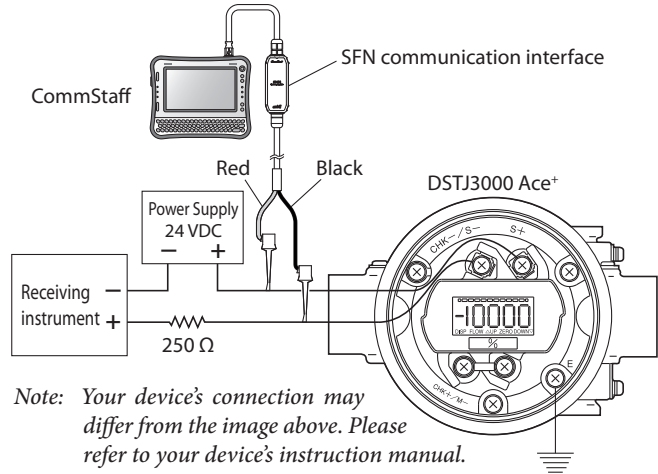
Smart communicator CommStaff CFS

Base number

CFS100			
Connection	USB connection	U	
Communication interface^{*1}	none		X
	Yamatake SFN communications interface (alligator clip)		1
	Yamatake SFN communications interface (easy hook)		2
Option	none		X

*1. To use the HART communication protocol, select "X" here, and purchase the HART communication interface separately.

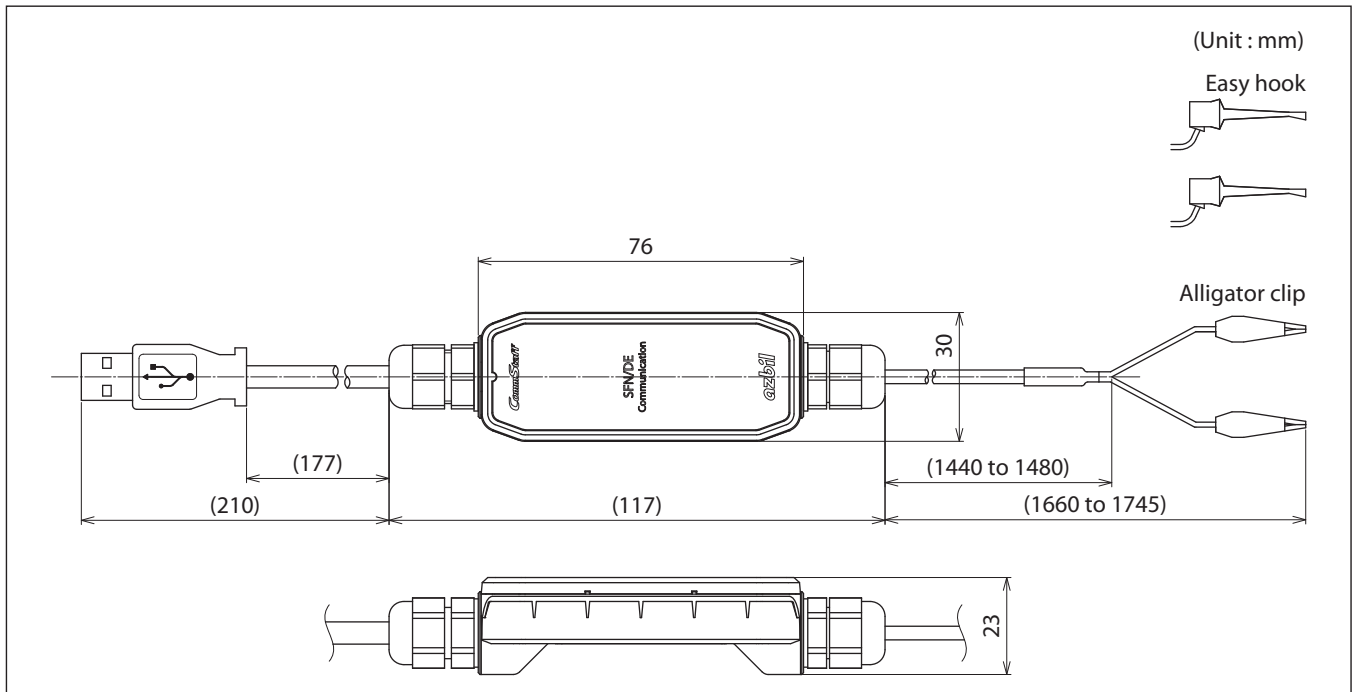
Connection Example



Note: Your device's connection may differ from the image above. Please refer to your device's instruction manual.

Figure 1. Example of SFN communication connection using CommStaff.

External Dimensions



CommStaff™ is a trademark of Yamatake Corporation in Japan.
HART® is registered trademark of HART Foundation.
Windows® is registered trademark of Microsoft Corporation in the United States and other countries.

Specifications are subject to change without notice.

azbil

Yamatake Corporation
Advanced Automation Company

1-12-2 Kawana, Fujisawa
Kanagawa 251-8522 Japan
URL: <http://www.azbil.com>

1st edition: Dec. 2010

No part of this publication may be reproduced or duplicated without the prior written permission of Yamatake Corporation.