

Air Purge Sets

S Type (Liquid Level Measurement)

W Type (Specific Gravity Measurement)

These Air Purge Sets are used for liquid level or specific-gravity measurement.

Specifications

Construction:

Rotameter, $\phi 50$ pressure gauge, pressure regulating valve, switch cock (when specified), differential pressure adjusting valve, etc.

Measuring range:

S type; (Liquid level measurement);
0 ~ 3kPa to 0 ~ 100kPa (0 ~ 300mm H₂O to 0 ~ 10m H₂O)

W type (Specific-gravity measurement);
0.1 or over of difference between minimum and maximum specific gravities.

Accuracy: $\pm 1\%$ of scale range

Piping connection: Rc $\frac{1}{4}$ or $\frac{1}{4}$ NPT internal thread

Air supply:

S type; Air pressure higher than measuring range.

W type: Depends on specific-gravity measuring range and liquid immersed section.
(Normally, 50kPa (0.5kgf/cm²) or over.)

Purging air flow:

S type; 0.6 liters/minute

W type; 0.4 liters/minute (two bubblers)

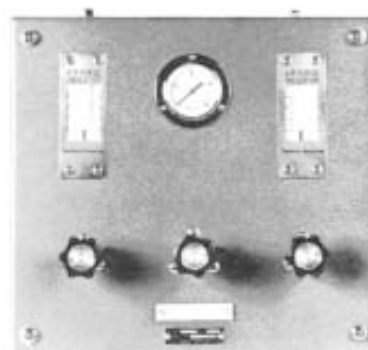
Bubbler material (excluding insertion tube):

Vinyl, SUS316

Assembly panel finish color: Dark beige

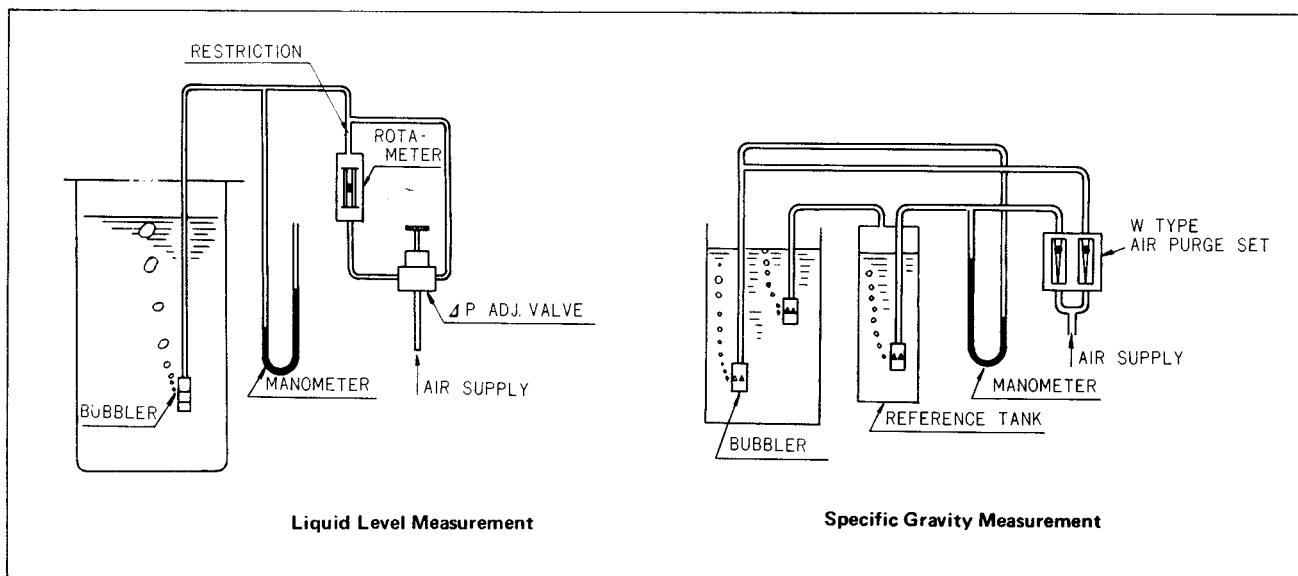


S Type Air Purge Set



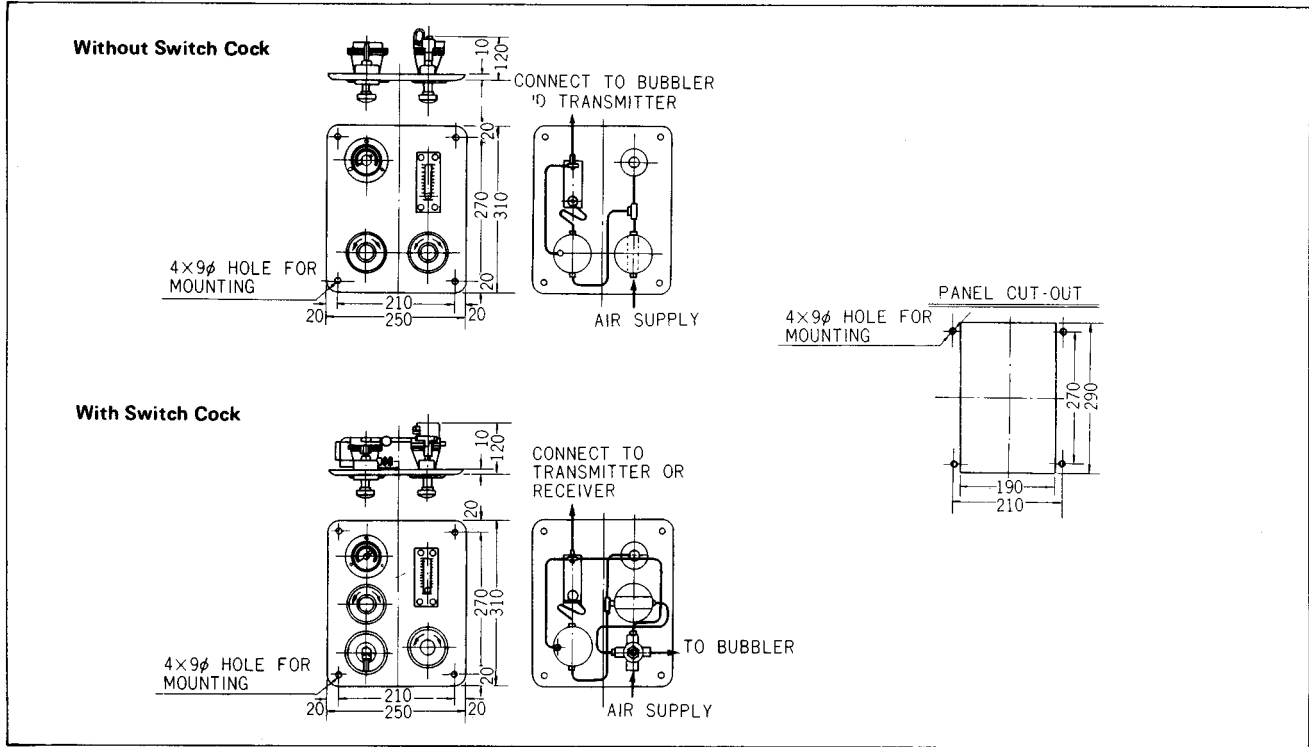
W Type Air Purge Set

Principle of Operation

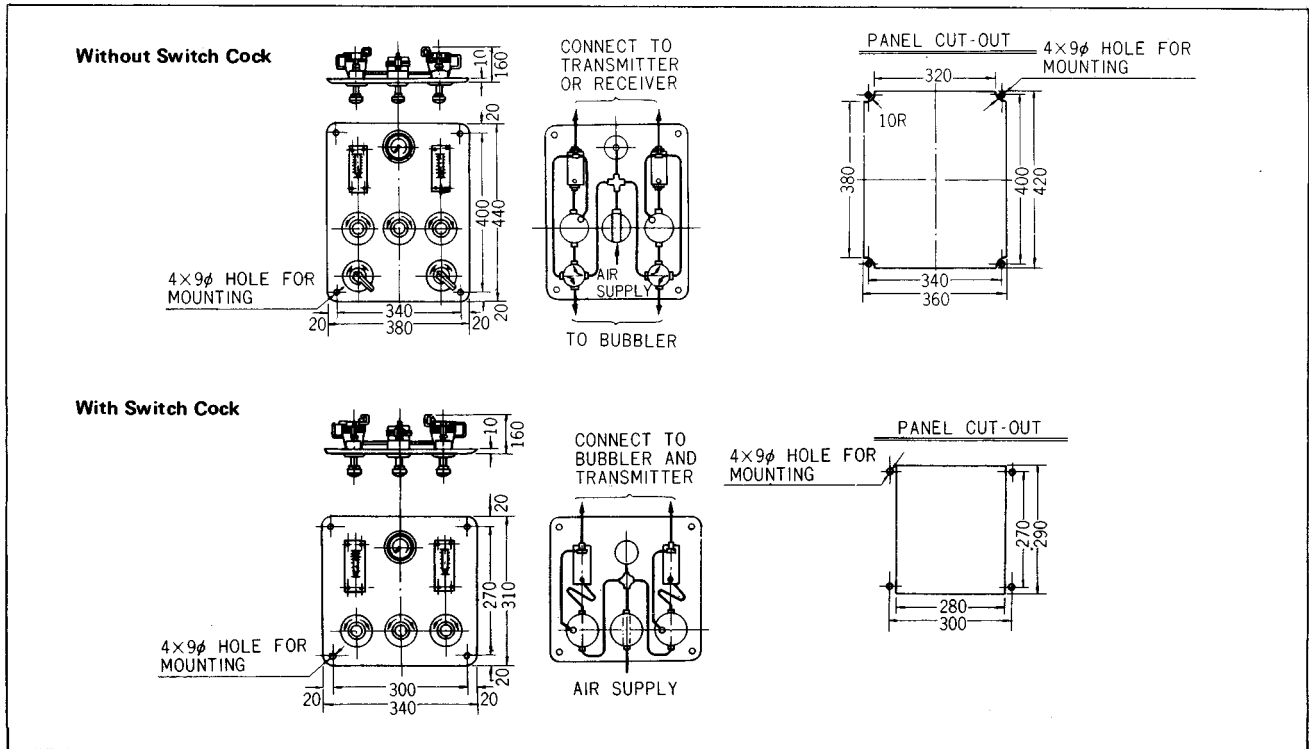


Dimensions

S Type Air Purge Set



W Type Air Purge Set



Specifications are subject to change without notice.

Yamatake Corporation

Totate International Building
2-12-19 Shibuya
Shibuya-ku Tokyo 150-8316
Tel : 81-3-3486-2216
Fax: 81-3-3486-2503

Yamatake-SIC Control Systems Co., Ltd.
Shanghai Yamatake Jinshan Control Instruments Co., Ltd.
Yamatake Korea Co., Ltd.
Yamatake (Thailand) Co., Ltd.
Yamatake Philippines, Inc.
PT. Yamatake Berca Indonesia
Yamatake Controls Singapore Pte. Ltd.
YCV Corporation

: China 86-10-6510-2505
: China 86-21-6428-8661
: Korea 82-2-785-0280-2
: Thailand 66-2-210-0900-7
: Philippines 63-2-817-6452
: Indonesia 62-21-230-5538
: Singapore 65-778-5966
: U.S.A. 1-602-548-1800



Savemation

Saving through Automation

Yamatake Industrial Systems Co.,Ltd.

This has been printed on recycled paper.

<http://www.yamatake.co.jp/>

9908-Y/Y