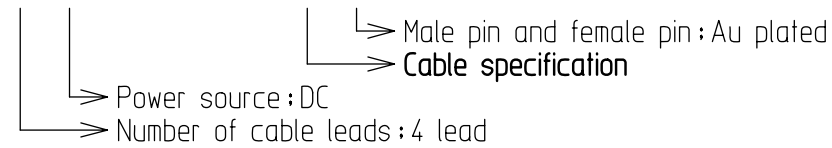


SP. No.

CATALOG LISTING

PA5-4 | 1 | 2 | SK



Model number
PA5-4|***SK

CAT. LIST.I	CAT. LIST.II	03SK	05SK	1SK	2SK	3SK	5SK	10SK	15SK	20SK	50SK
PA5-4ISX				○	○	○	○	○	○	○	○
PA5-4INX			○	○	○	○	○	○	○	○	
PA5-4IBX		○	○	○	○	○	○	○	○	○	
PA5-4ILX			○	○	○	○	○	○	○	○	
PA5-4ISB			○	○	○	○	○	○	○	○	
PA5-4ISN			○	○		○	○	○	○	○	
PA5-4ILB			○	○	○	○	○	○	○	○	
PA5-4ILN			○	○	○	○	○	○	○	○	

1 SHAPE OF PLUG

Code	Shape of plug
SX	Straight plug F
LX	Angled plug F
BX	Straight plug with external screw lock ring M
NX	Angled plug with external screw lock ring M
SB	Straight plug F Straight plug with external screw lock ring M
SN	Straight plug F Angled plug with external screw lock ring M
LB	Angled plug F Straight plug with external screw lock ring M
LN	Angled plug F Angled plug with external screw lock ring M

Note 1. Plug "F" means female plug and plug "M" is male plug.

2 CABLE LENGTH

Code	Cable length (L) see note 5/6
03	30 cm
05	50 cm
1	1 m
2	2 m
3	3 m
5	5 m
10	10 m
15	15 m
20	20 m
50	50 m

Cable specification

Code	Cable type	Flame resistance	Nominal sectional AREA (mm ²)	No. of wires and diameter	Resistance of conductor (mΩ/m)	O. D. (mm)	Outer color
S	Oil/bending resistance type vinyl insulated cord UL/NFPA79 CM,CL3	VW-1	0.5	108/0.08	35.0	φ6.1	Gray

作成DR. T.SASAKI 6. 9. '09		尺 度 SCALE		記入のない公差 TOL. UNLESS NOTED	
検図CHK. TOMITA 6. 9. '09		形 番 MODEL		PA5-4 ***SK	
認可APPD SUDO 6. 9. '09		名 称 NAME		CABLE PLUG	
日付DATE 6. 9. '09		図 番 NO.		AD15538E	
改番 REV.	来 歴 RECORD	: 日付 DATE	担 当 BY	検 閲 APPD.	改番REV. 01

SP. No.


Yamatake Corporation

製品仕様書 SPECIFICATIONS

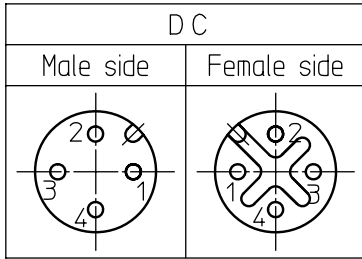
REMARKS

- (1) FASTENING OF FIXING CUPRING AND EXTERNAL SCREW LOCKRING.
 - In case of connecting to resin threads, threads may be damaged in beginning fastening. Fasten after aligning centers along axis.
 - For fastening, tighter fully with fingers (0.4~0.6N・m), using tools like pliers will result in damage.
 - Insufficient tightening may result in nonfulfilment of IP67 protection or loosening.
- (2) INSERTION/REMOVAL OF CONNECTOR
 - Disconnect power supply before begining insertion or removal of connector.
 - Don't pull cable when removing connetor. Hold metal part like cupring to pull.
- (3) OTHERS
 - This product is molded into one unit with plastics. After fitting connectors, use with external force applied continuously. Don't put foot or heavy thing on product, don't hang heavy thing from it.
 - IP67 is not water-seal type. Don't use in water continuously.

頁 PAGE	改番 REV.	改番 REV.	来歴 RECORD	: 日付 DATE	担当 BY	検閲 APPD.	日付 DATE 6, 9, '09	図番 NO.	AD15538E	改番 REV. 00	3/6
-----------	------------	------------	--------------	--------------	----------	-------------	----------------------	-----------	----------	---------------	-----

作成 DR. T.SASAKI 6, 9, '09		尺度 SCALE CUP	記入のない公差 TOL. UNLESS NOTED ~
検図 CHK. TOMITA 6, 9, '09	形番 MODEL	PA5-4I****SK	
認可 APPD SUDO 6, 9, '09	名称 NAME	CABLE PLUG	
日付 DATE 6, 9, '09	図番 NO.	AD15538E	改番 REV. 00

SHAPE OF FITTING AND PIN ARRANGEMENT

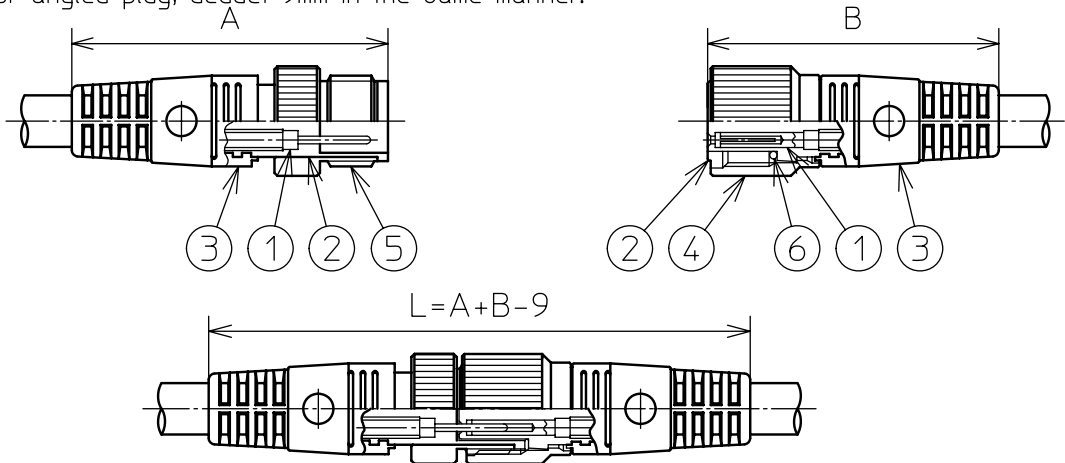


PIN NO. AND CABLE LEAD COLOR

Pin NO.	Cable lead	4-lead
1		Brown
2		White
3		Blue
4		Black

CONNECTED DIMENSION

Dimension after two plugs are connected is total of each plug dimension minus 9mm.
for angled plug, deduct 9mm in the same manner.



No.	Description	Material
1	Contact	Male: brass gold plated Female: phosphor bronze, gold plated
2	Contact holder	Polybutylene terephthalate resin UL94- V-0 black
3	Housing	Polysesrer elastomer UL94 V-0 light gray
4	Cupring	Brass Ni plated
5	Exfernal screw lockring	Brass Ni plated
6	O-ring	Nitrile butadiene rubber

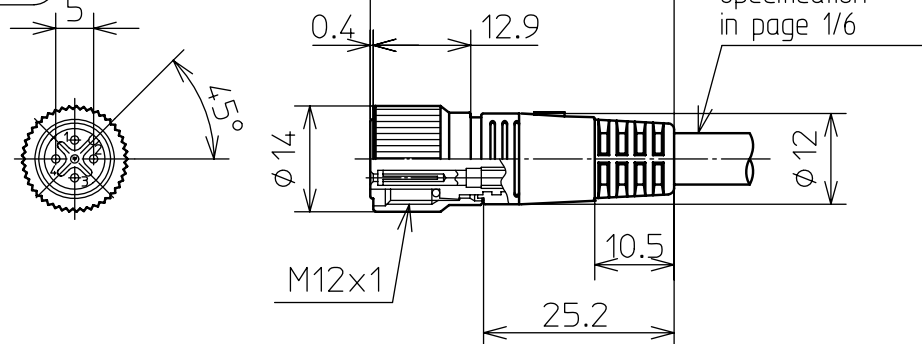
作成DR. T.SASAKI 6. 9. '09		尺度 SCALE UN	記入のない公差 TOL. UNLESS NOTED ~
検図CHK. TOMITA 6. 9. '09	形番 MODEL	PA5-4I****SK	
認可APPD SUDO 6. 9. '09	名称 NAME	CABLE PLUG	
日付DATE 6. 9. '09	図番 NO.	AD15538E	改番REV. 00 / 4/6

SP. No.

EXTERNAL DIMENSION

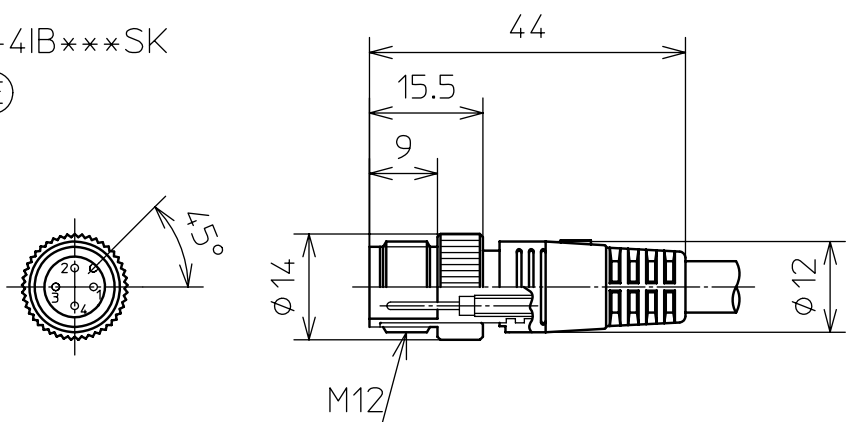
PA5-4IS***SK

(FEMALE)



PA5-4IB***SK

(MALE)



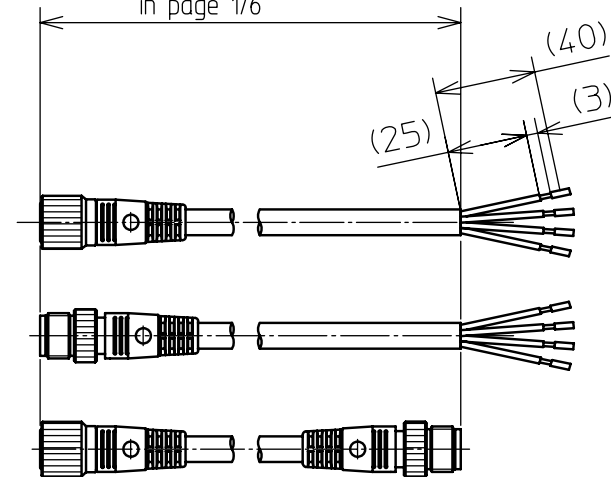
LENGTH OF CABLE

$L + \frac{5\%}{0}$
See note cable length in page 1/6

PA5-4ISX**SK

PA5-4IBX**SK

PA5-4ISB**SK



作成DR. T.SASAKI 6. 9. '09		尺度SCALE 1:1	記入のない公差 TOL. UNLESS NOTED ±0.8 角度 ±5°
検図CHK. TOMITA 6. 9. '09	形番 MODEL	PA5-4I***SK	
認可APPD. SUDO 6. 9. '09	名称 NAME	CABLE PLUG	
日付DATE 6. 9. '09	図番 NO.	AD15538E	改番REV. 5/6 00

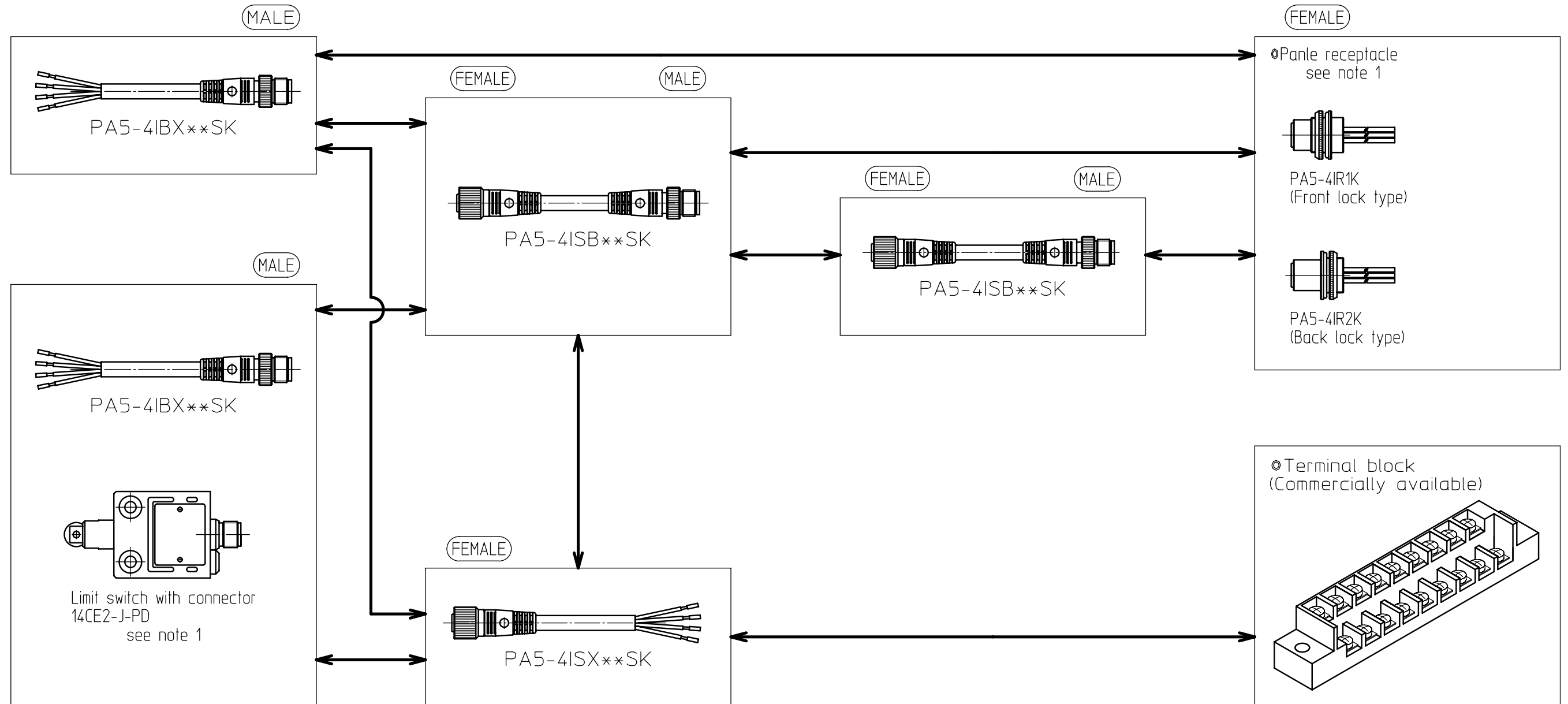
COMPOSITION

SENSOR SIDE

Sensors and actuators such as proximity sensor, photoelectric sensor, limit switch and solenoid valve.

JUNCTION CABLE PLUG

JUNCTION BOX OR PANEL



Note 1. For limit switch with connector and panel receptacle, refer to such specification sheet.

作成DR. T.SASAKI 6. 9. '09	検図CHK. TOMITA 6. 9. '09	認可APPD SUDO 6. 9. '09	日付DATE 6. 9. '09	改番REV. 00	6/6
形番 MODEL	PA5-4I****SK				
名称 NAME	CABLE PLUG				
図番 NO.	AD15538E				改番REV. 00
改番 REV.	来歴 RECORD	日付 DATE	担当 BY	検閲 APPD.	

SP. NO.	Yamatake Corporation		製品仕様書 SPECIFICATIONS			
	Terms and Conditions					
	<p>We would like to express our appreciation for your purchase and use of Yamatake products. You are required to acknowledge and agree upon the following terms and conditions for your purchase of Yamatake products (field instruments, control valves, and control products), unless otherwise stated in any separate document, including, without limitation, estimation sheets, written agreements, catalogs, specifications and instruction manuals.</p>					
	<p>1 Warranty period and warranty scope</p>					
	<p>1.1 Warranty period Yamatake products shall be warranted for one (1) year from the date of your purchase of the said products or the delivery of the said products to a place designated by you.</p>					
	<p>1.2 Warranty scope In the event that Yamatake product has any failure attributable to Yamatake during the aforementioned warranty period, Yamatake shall, without charge, deliver a replacement for the said product to the place where you purchased, or repair the said product and deliver it to the aforementioned place. Notwithstanding the foregoing, any failure falling under one of the following shall not be covered under this warranty:</p>					
	<p>(1) Failure caused by your improper use of Yamatake product (noncompliance with conditions, environment of use, precautions, etc. set forth in catalogs, specifications, instruction manuals, etc.);</p>					
	<p>(2) Failure caused for other reasons than Yamatake product;</p>					
	<p>(3) Failure caused by any modification or repair made by any person other than Yamatake or Yamatake's subcontractors;</p>					
	<p>(4) Failure caused by your use of Yamatake product in a manner not conforming to the intended usage of that product;</p>					
	<p>(5) Failure that the state-of-the-art at the time of Yamatake's shipment did not allow Yamatake to predict; or</p>					
	<p>(6) Failure that arose from any reason not attributable to Yamatake, including, without limitation, acts of God, disasters, and actions taken by a third party.</p>					
	<p>Please note that the term "warranty" as used herein refers to equipment-only-warranty, and Yamatake shall not be liable for any damages, including direct, indirect, special, incidental or consequential damages in connection with or arising out of Yamatake products.</p>					
	<p>2 Ascertainment of suitability</p>					
	<p>You are required to ascertain the suitability of Yamatake product in case of your use of the same with your machinery, equipment, etc. (hereinafter referred to as "Equipment") on your own responsibility, taking the following matters into consideration:</p>					
	<p>(1) Regulations and standards or laws that your Equipment is to comply with.</p>					
	<p>(2) Examples of application described in any documents provided by Yamatake are for your reference purpose only, and you are required to check the functions and safety of your Equipment prior to your use.</p>					
	<p>(3) Measures to be taken to secure the required level of the reliability and safety of your Equipment in your use</p>					
	<p>Although Yamatake is constantly making efforts to improve the quality and reliability of Yamatake products, there exists a possibility that parts and machinery may break down. You are required to provide your Equipment with fool-proof design, fail-safe design, anti-flame propagation design, safety design, or the like so that the said Equipment may satisfy the level of the reliability and safety required in your use, whereby preventing any occurrence of physical injuries, fires, significant damage, and so forth.</p>					
	<p>3 Precautions and restrictions on application</p>					
	<p>Yamatake products other than those explicitly specified as applicable (e.g. Yamatake Limit Switch For Nuclear Energy) shall not be used in a nuclear energy controlled area (radiation controlled area). Any Yamatake products shall not be used for/with medical equipment. In addition, you are required to conduct a consultation with our sales representative and understand detail specifications, cautions for operation, and so forth by reference to catalogs, specifications, instruction manual, etc. in case that you intend to use Yamatake product for any purposes specified in (1) through (6) below. Moreover, you are required to provide your Equipment with fool-proof design, fail-safe design, anti-flame propagation design and other designs of protection/safety circuit on your own responsibility to ensure the reliability and safety, whereby preventing problems caused by failure or nonconformity.</p>					
	<p>(1) For use under such conditions or in such environments as not stated in technical documents, including catalogs, specification, and instruction manuals</p>					
	<p>(2) For use of specific purposes, such as:</p>					
	<p>* Nuclear energy/radiation related facilities [For use outside nuclear energy controlled areas] [For use of Yamatake Limit Switch For Nuclear Energy]</p>					
	<p>* Machinery or equipment for space/sea bottom</p>					
	<p>* Transportation equipment [Railway, aircraft, vessels, vehicle equipment, etc.]</p>					
	<p>* Antidisaster/crime-prevention equipment</p>					
	<p>* Burning appliances</p>					
	<p>* Electrothermal equipment</p>					
	<p>* Amusement facilities</p>					
頁	改番	改番	来歴	日付	担当	検閲
		REV.	RECORD	DATE	BY	APPD.

