

Blend-O-Set Electro-Magnetic Counter Model NW14

The electro-magnetic counter generally is integrally mounted in a main instrument. However, when totalizing integration for resetting for individual batch is made, an extra electro-magnetic counter is required. In the case of an auxiliary instrument which has no space for integrally mounting an electro-magnetic counter, the counter may be installed at the panel front or on a rack.

Specifications

Type: Three types of without reset, with manual reset, and with electro-magnetic reset

Inputs:

Counting input:

Frequency; 25Hz max.

Voltage; DC 24V $\pm 10\%$

Current; 150mA max.

Pulse width; 20msec. min.

Notes) It is recommendable to use the instrument at input frequency below 10Hz.

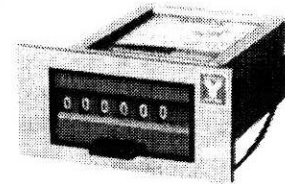
Reset input:

Voltage; DC 24V $\pm 10\%$

Current; 300mA max.

Pulse width; 200msec. $\begin{matrix} +25\% \\ -15\% \end{matrix}$

The number of digits: 6 digits

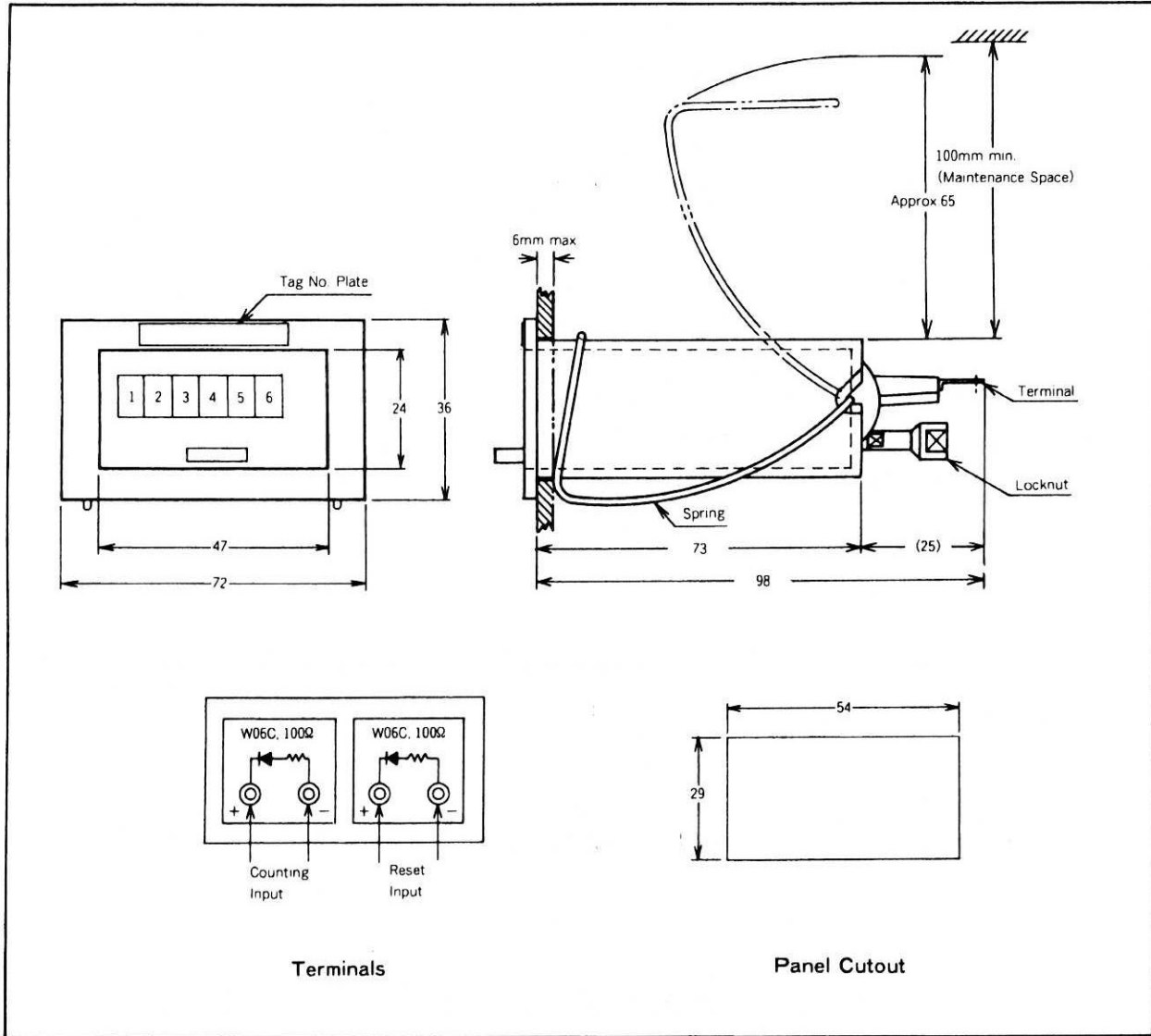


NW14

Model Number Table

Basic Model No.	Selections	Option	Description
NW14			Electro-Magnetic Counter
	-0		Without reset
	-1		With manual reset
	-2		With electro-magnetic reset
		-X	No option

Dimensions & Terminal Connections



Yamatake Corporation

Totate international Building
 2-12-19 Shibuya
 Shibuya-ku, Tokyo 150-8316
 Japan
 Tel : 81-3-3486-2310
 Fax : 81-3-3486-2593

YAMATAKE
Savemation
Saving through Automation