

## Specifications

### Indicating section

*Number of indication:* 1 point  
*Type of indication:* Fixed scale indication  
*Scale length:* 85mm

### Input section

*PV signal:* 1 ~ 5V DC  
*PV input bias current:*  $-12\mu\text{A}$  DC or less  
*PV indicator accuracy:*  $\pm 1\%$  FS

### Common section

*Power supply:* DC 24V  $+15\%$   
 $-10\%$

*Power consumption (basic):* 0.075W (DC 24V, 3mA)

*Ambient temperature:* 0 ~ 50°C

*Relative humidity:* 10 ~ 90% RH

*Mounting:* Indoor panel flush mounting.

*Mounting angle:* Up to 60° case rear down from horizontal.

### Color finish:

Bezel; Dark beige (Munsell 10YR 4.7/0.5)

Front mask; Light gray (Munsell N7)

Case; Dark beige (Munsell 10YR 4.7/0.5)

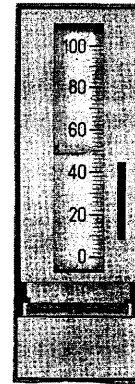
Lower mask; Aluminic silver

*Dimension:* 152.3 H × 50.7 W × 600 D (mm)

*Net weight:* Approx. 4 kg

## NUTRONIK INDICATOR

MODEL ; NSF 70



NSF 70

### Options

Following options are available.

Item (1) and (2) are the standard options.

#### (1) Lamp set

1 set (24 V, 40 mA/lamp)

#### (2) Monitor switch (with a lamp set)

PV 1 pt. or PV 2 pts.

Output; SPST contact (Rating DC 28V, 0.1A resistive load)

Setting accuracy;  $\pm 5\%$  FS (PV)

Power consumption;

PV monitor 0.54 W (DC 24V, 20 mA)/pt.

Item (3) and (4) are the semi-standard options.

#### (3) 4 ~ 20 mA DC PV input (Y46A)

Input impedance; 250  $\Omega$

#### (4) Front mask semi-standard color (Y100A, B, D, E)

**Yamatake-Honeywell Co. Ltd.**  
**Process Control Division**

**Sales Headquarters :** Nagai International Bldg., 12-19, Shibuya 2 chome, Shibuya-ku, Tokyo, 150 Japan  
Tel : (03) 409-7171 Telex : J22902 Cable : YAMATAKE CO

**Model Number Table**

Basic Model No.		Main Power Supply	Options	Description
Key No.	Semi-Standard Option			
NSF 70				Indicator
	Y			Semi-standard option (See note 1)
		-0		DC 24V
			- X	No option
			- 1	Lamp set (1-set)
			- 5	PV monitor switch, 1-point with a lamp set
			- 6	PV monitor switch, 2-point with a lamp set

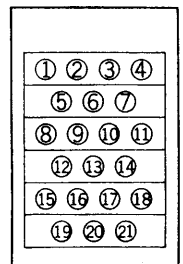
Note 1.  
When specifying semi-standard options (Y□), please write as: NSF 70Y-0-X (Y□).  
When two or more "Y" options are needed, please refer to us.

Note 2. Front mask semi-standard color

Part Y-No.	Bezel	Upper Mask	Lower Mask
Y100A	Dark beige (10YR 4.7/0.5)		
Y100B	Mist green (2.5 G 5/1.5)	Light gray (N 7)	Aluminic silver
Y100D	Black (N 1.2)	Light gray (N 7)	Aluminic silver
Y100E	Jade green (7.5 BG 4/1.5)	Light gray (N 7)	Aluminic silver

**Terminal Connections**

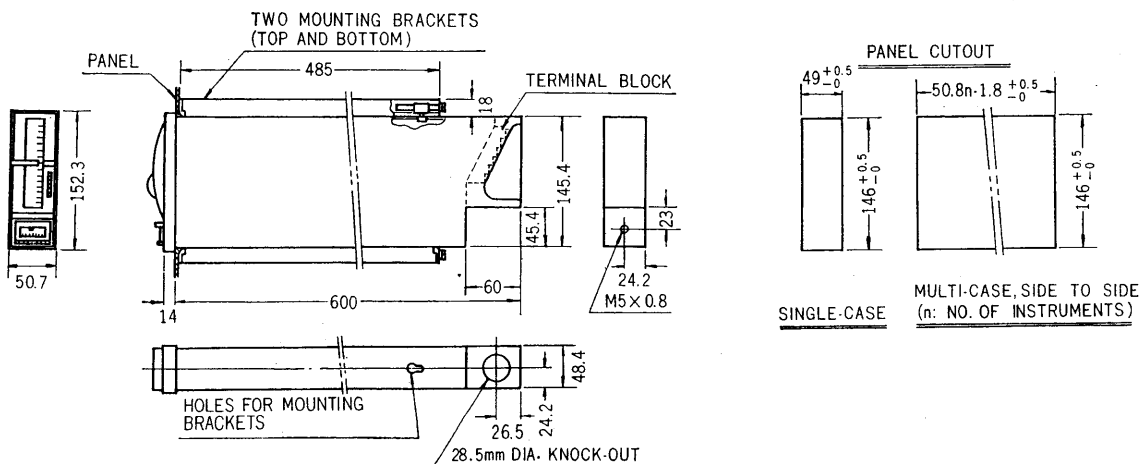
**TERMINAL LOCATION**



- ① + DC 24V POWER SUPPLY (+)
- ② PV PROCESS VARIABLE (+)
- ③ SC SIGNAL COMMON (-)
- ④ - DC 24V POWER SUPPLY (-) \*
- ⑤ —
- ⑥ —
- ⑦ —
- ⑧ LC COMMON OF LAMP POWER SUPPLY
- ⑨ L1 No. 1 LAMP POWER SUPPLY
- ⑩ M1 MONITOR OUTPUT, No. 1
- ⑪ MC COMMON OF MONITOR OUTPUT
- ⑫ L2 No. 2 LAMP POWER SUPPLY
- ⑬ M2 MONITOR OUTPUT, No. 2
- ⑭ + DC 24V POWER SUPPLY (+)
- ⑮ —
- ⑯ —
- ⑰ —
- ⑱ —
- ⑳ GND GROUND

Note:  
DC24V(-) \* .....  
Without monitor switch (option), not needs.

**Dimensions**



\*Specifications are subject to change without notice.

**Ordering Information**

When ordering, please specify:

- 1) Model No.
- 2) Scale range
- 3) Options

\*Reference instruction manual . . . . . FET-2016