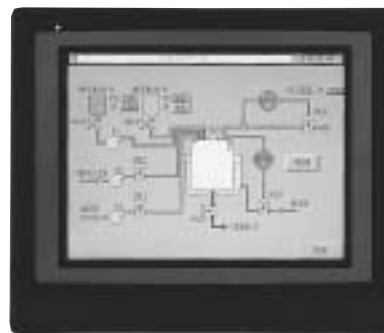




EST555Z

Large-Size Smart Terminal



The EST555Z Smart Terminal is a large-sized, next generation type, programmable touch screen capable of multi-channel communications and includes a slot for a memory card. A TFT device has been adopted into its design to offer high accuracy. A 256-color display enables bitmap images to be clearly viewed. Applications can easily be run or modified using the AP editor in Windows 95/98/Me/XP. Also the appearance of the display can be easily customized by selecting and pasting new smart objects (pictures and operation settings) from the library using the AP editor on a personal computer.

Specifications

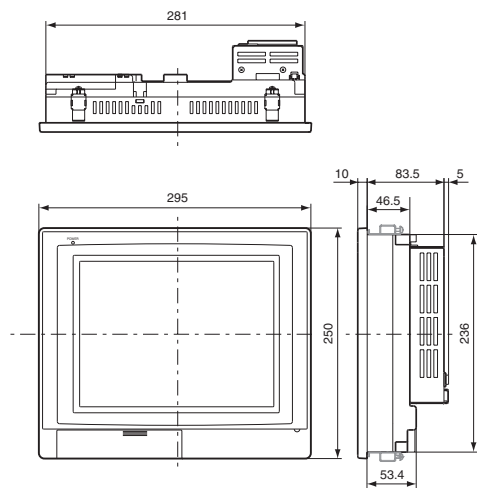
Display element	TFT color LCD
Display color	256 colors (bitmap display) / 64 colors (object display)
Resolution	640 x 480
Memory capacity	2M bytes
Number of screens	999 panels (maximum number depends on the applications)
Number of pictures	Up to 8 panels simultaneously
Touch switch	Transparent resistance membrane type (analog)
DC output interface	2 output points
Communication port	Infrared (IrDA), RS-232C x 1ch, RS-485 (full/half-duplex) x 1ch, RS-485 (half-duplex) 2ch
Power supply	85 to 132Vac 50/60Hz, 24Vdc ± 10%
Power consumption	AC power source: 50VA max. DC power source: 2A max.
Weight	2.7kg

* User's manual No. : CP-UM-5229E (general), CP-SP-1103E (Installation), CP-SP-1124E (DMC package)

Selection Guide

Model No.	Description		
	Case color	Power supply	Memory card
EST0555Z01BEX00	Black	100Vac	No
EST0555Z01WEX00	White		
EST0555Z01BES00	Black		Yes
EST0555Z01WES00	White	24Vdc	No
EST0555Z05BEX00	Black		
EST0555Z05WEX00	White		
EST0555Z05BES00	Black		Yes
EST0555Z05WES00	White		No
EST0555Z05BEX0M (CE marking)*	Black		
EST0555Z05BES0M (CE marking)*		Yes	

Dimensions (unit:mm)



AP Editor (Application software)

Model No.	Description
ESTX240SWWJC000	CD-ROM for Windows95/98/Me
ESTX220D5AJ3001	3.5-inch FD for DMC10 package EST555Z
SCFADP000	Adapter for PC card change (for PCMCIA)

Optional Devices

Model No.	Description
CBL232AFT02	RS-232C cable (2m) 9-9 pin
81446345-001	Battery
SCF0640	Memory card, 64M bytes