

MagneW 3000 Electromagnetic Flowmeters

**Model KIC20A
KIC20B/33B
KID10A/20A/30A/50A
KID10B/20B/30B/50B
KIX20A/50A
KIX18B/19B/20B/40B/50B**

Parts List

MagneW3000	Electromagnetic Flowmeters	KIC/KID/KIX	1st Edit : 99. 9. 1 Rev.(1) : 01.9.1	PL2 – KID100 – 9501 1 of 53
------------	----------------------------	-------------	---	--------------------------------

Flowmeters		Page
1	Detector Unit Assembly (KID 10B)	3
2	Sanitary Type (KID 20A / 20B, KIC20A, KIX20A)	6
3	Ceramic Type (KID 30A / 30B, KIC20A, KIX20A)	8
4	Detector Unit Assembly (KID 10A / 10B)	11
5	Detector Unit Assembly, Sanitary Type (KID 20A / 20B)	15
6	Detector Unit Assembly, Sanitary Type (KID 10A / 10B)	17
7	Detector Unit Assembly (KID 10A / 10B)	22
8	Detector Unit Assembly (KID 50A / 50B)	27
9	FM Approval Converter Assembly, Remote Type (KIX 18B)	30
10	CSA Approval Converter Assembly, Remote Type (KIX 19B)	32
11	Converter Assembly (KIX 20A)	34
12	Converter Assembly, Remote Type (KIX 20B)	37
13	Converter Assembly, Remote Type (KIX 40B)	39
14	Converter Assembly, Integral Type (KIX 50A)	41
15	Converter Assembly, Remote Type (KIX 50B)	43
16	Converter / Detector Unit Assembly (KIX 50A, KID 50B)	45
17	Converter / Detector Unit Assembly (KIX 20A, KIC 20A, KID 10A)	47
18	Converter Assembly (KIC 20A / 20B)	49
19	Converter Assembly, Panel Mount Type (KIC 33B)	52

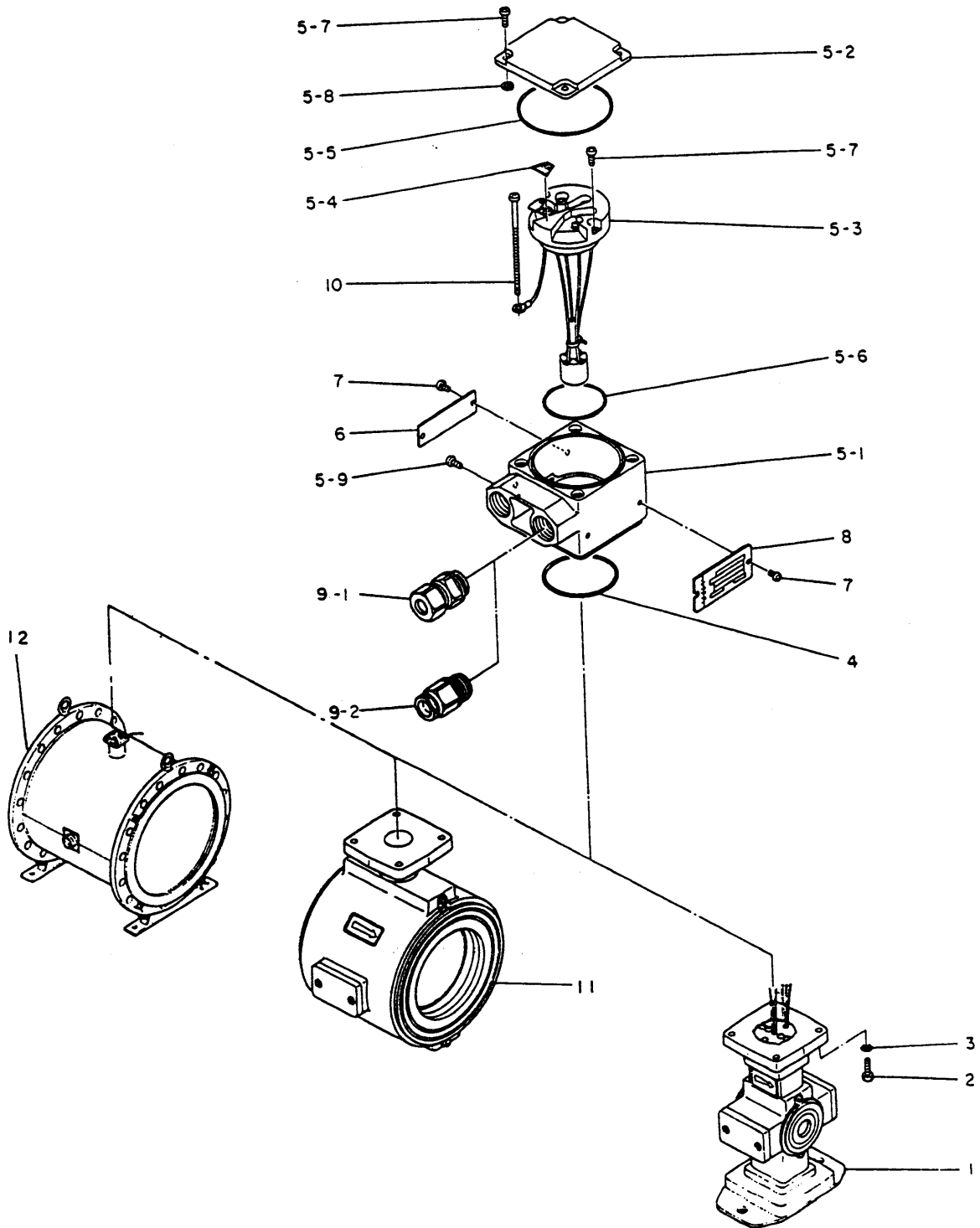
MagneW3000	Electromagnetic Flowmeters	KIC/KID/KIX	1st Edit : 99. 9. 1 Rev.(1) : 01.9.1	PL2 – KID100 – 9501 2 of 53
------------	----------------------------	-------------	---	--------------------------------

MagneW 3000 Electromagnetic Flowmeters

Detector Unit Assembly

KID 10B

(Diameter. 2.5mm to 600mm)



MagneW3000	Electromagnetic Flowmeters	KIC/KID/KIX	1st Edit : 99. 9. 1 Rev.(1) : 01.9.1	PL2 - KID100 - 9501 3 of 53
------------	----------------------------	-------------	---	--------------------------------

Detector Unit Assembly

KID 10B

Key No.	Description	Quantity	Part No.
1	detector unit , diameter : 2.5 mm	1	80356225-001
1	detector unit , diameter : 5 mm	1	80356226-001
1	detector unit , diameter : 10 mm	1	80356227-001
1	detector unit , diameter : 15 mm	1	80356008-001
1	detector unit , diameter : 25 mm	1	80356009-001
2	bolt	4	314-204-160
3	washer	1	HS232208-00000
4	" O " ring	1	80020935-807
5	terminal box unit	1	see table
5-1	terminal box	1	see table
5-2	cover	1	80356032-001(Standard finish)
5-2	cover	1	80356032-002(YI38A)
5-2	cover	1	80356032-003(YI38B)
5-3	terminal block, diameter: 2.5 to 25 mm, 250 mm to 600 mm	1	80356027-001
5-3	terminal block assembly, diameter: 40 mm to 200 mm	1	80356030-001
5-4	label, cement to Key No. 5-3	1	80356037-001
5-5	" O " ring	1	80020935-810
5-6	" O " ring	1	80020935-705
5-7	screw	6	311-240-120
5-8	retaining ring	4	80235519-005
5-9	screw	1	311-240-060
6	Tagplate	1	80276826-001
7	screw	4	311-230-050
8	nameplate	1	80356018-001
9-1	brass (plating Ni) watertight gland	2	80356020-101
9-2	plastic watertight gland	2	80352997-001
10	screw, for 40 mm to 200 mm diameter	1	80068796-043
11	detector unit , diameter : 40 mm	1	80356010-001
11	detector unit , diameter : 50 mm	1	80356011-001
11	detector unit , diameter : 80 mm	1	80356012-001
11	detector unit , diameter : 100 mm	1	80356013-001
11	detector unit , diameter : 150 mm	1	80356014-001
11	detector unit , diameter : 200 mm	1	80356015-001
12	detector unit , diameter : 250 mm	1	80356504-001
12	detector unit , diameter : 300 mm	1	80356505-001
12	detector unit , diameter : 350 mm	1	80356506-001
12	detector unit , diameter : 400 mm	1	80356507-001
12	detector unit , diameter : 500 mm	1	80356508-001
12	detector unit , diameter : 600 mm	1	80356509-001
	KID service kits	1	80356200-001

MagneW3000	Electromagnetic Flowmeters	KIC/KID/KIX	1st Edit : 99. 9. 1 Rev.(1) : 01.9.1	PL2 – KID100 – 9501 4 of 53
------------	----------------------------	-------------	---	--------------------------------

Table Parts No. of Key No. 5 and 5-1

Flowmeter Size (Diameter)	Connection	Key No. 5 Part No.	Key No. 5-1 Part No.
2.5 mm to 25 mm 250 mm to 600 mm (Standard Finish)	G 1/2	80356016-001	80356038-001
	1/2 NPT	80356016-004	80356038-004
	CM 20	80356016-007	80356038-007
40 mm to 200 mm (Standard Finish)	G 1/2	80356017-001	80356038-001
	1/2 NPT	80356017-004	80356038-004
	CM 20	80356017-007	80356038-007
2.5 mm to 25 mm 250 mm to 600 mm (Y138A)	G 1/2	80356016-002	80356038-002
	1/2 NPT	80356016-005	80356038-005
	M20×1.5	80356016-008	80356038-008
40 mm to 200 mm (Y138A)	G 1/2	80356017-002	80356038-002
	1/2 NPT	80356017-005	80356038-005
	M20×1.5	80356017-008	80356038-008
2.5 mm to 25 mm 250 mm to 600 mm (Y138B)	G 1/2	80356016-003	80356038-003
	1/2 NPT	80356016-006	80356038-006
	M20×1.5	80356016-009	80356038-009
40 mm to 200 mm (Y138B)	G 1/2	80356017-003	80356038-003
	1/2 NPT	80356017-006	80356038-006
	M20×1.5	80356017-009	80356038-009

MagneW3000	Electromagnetic Flowmeters	KIC/KID/KIX	1st Edit : 99. 9. 1 Rev.(1) : 01.9.1	PL2 – KID100 – 9501 5 of 53
------------	----------------------------	-------------	---	--------------------------------

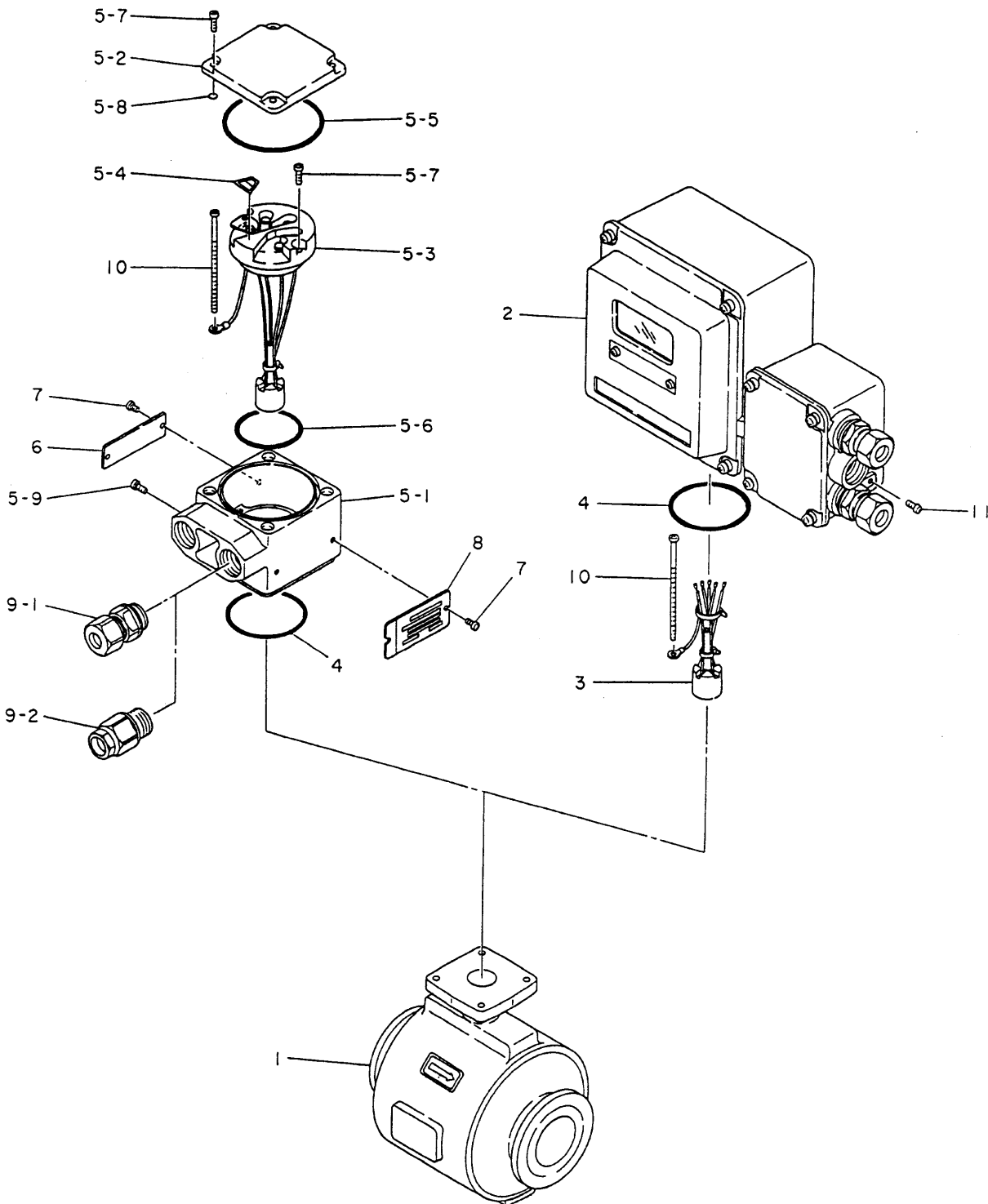
MagneW 3000 Electromagnetic Flowmeters

Sanitary Type

KID 20A / 20B

KIC 20A

KIX 20A



MagneW3000	Electromagnetic Flowmeters	KIC/KID/KIX	1st Edit : 99. 9. 1 Rev.(1) : 01.9.1	PL2 – KID100 – 9501 6 of 53
------------	----------------------------	-------------	---	--------------------------------

Sanitary Type

KID 20A / 20B, KIC 20A, KIX 20A

Key No.	Description	Quantity	Part No.
1	detector unit , diameter : 15 mm	1	80356322-001
1	detector unit , diameter : 25 mm	1	80356322-002
1	detector unit , diameter : 40 mm	1	80356322-003
1	detector unit , diameter : 50 mm	1	80356322-004
1	detector unit , diameter : 80 mm	1	80356322-005
1	detector unit , diameter : 100 mm	1	80356322-006
2	converter assembly	1	80354245-001
2	smart converter assembly	1	80354313-001
3	plug assembly	1	80356073-001
4	" O " ring	1	80020935-807
5	terminal box unit	1	see table
5-1	terminal box	1	see table
5-2	cover	1	80356032-006
5-3	terminal block assembly	1	80356030-001
5-4	label, cement to Key No. 5-3	1	80356037-001
5-5	" O " ring	1	80020935-810
5-6	" O " ring	1	80020935-705
5-7	screw	6	311-240-120
5-8	retaining ring	4	80235519-005
5-9	screw	1	311-240-060
6	Tagplate	1	80276826-001
7	screw	4	311-230-050
8	nameplate	1	80356018-001
9-1	brass (plating Ni)	2	80356020-101
9-2	plastic watertight gland	2	80352997-001
10	screw	1	80068796-043
11	screw	1	311-240-060

Table Parts No. of Key No. 5 and 5-1

Flowmeter Size (Diameter)	Connection	Key No. 5 Part No.	Key No. 5-1 Part No.
15 mm to 100 mm	G 1/2	80356017-011	80356038-014
	1/2 NPT	80356017-014	80356038-017
	CM 20	80356017-017	80356038-020

MagneW3000	Electromagnetic Flowmeters	KIC/KID/KIX	1st Edit : 99. 9. 1 Rev.(1) : 01.9.1	PL2 – KID100 – 9501 7 of 53
------------	----------------------------	-------------	---	--------------------------------------

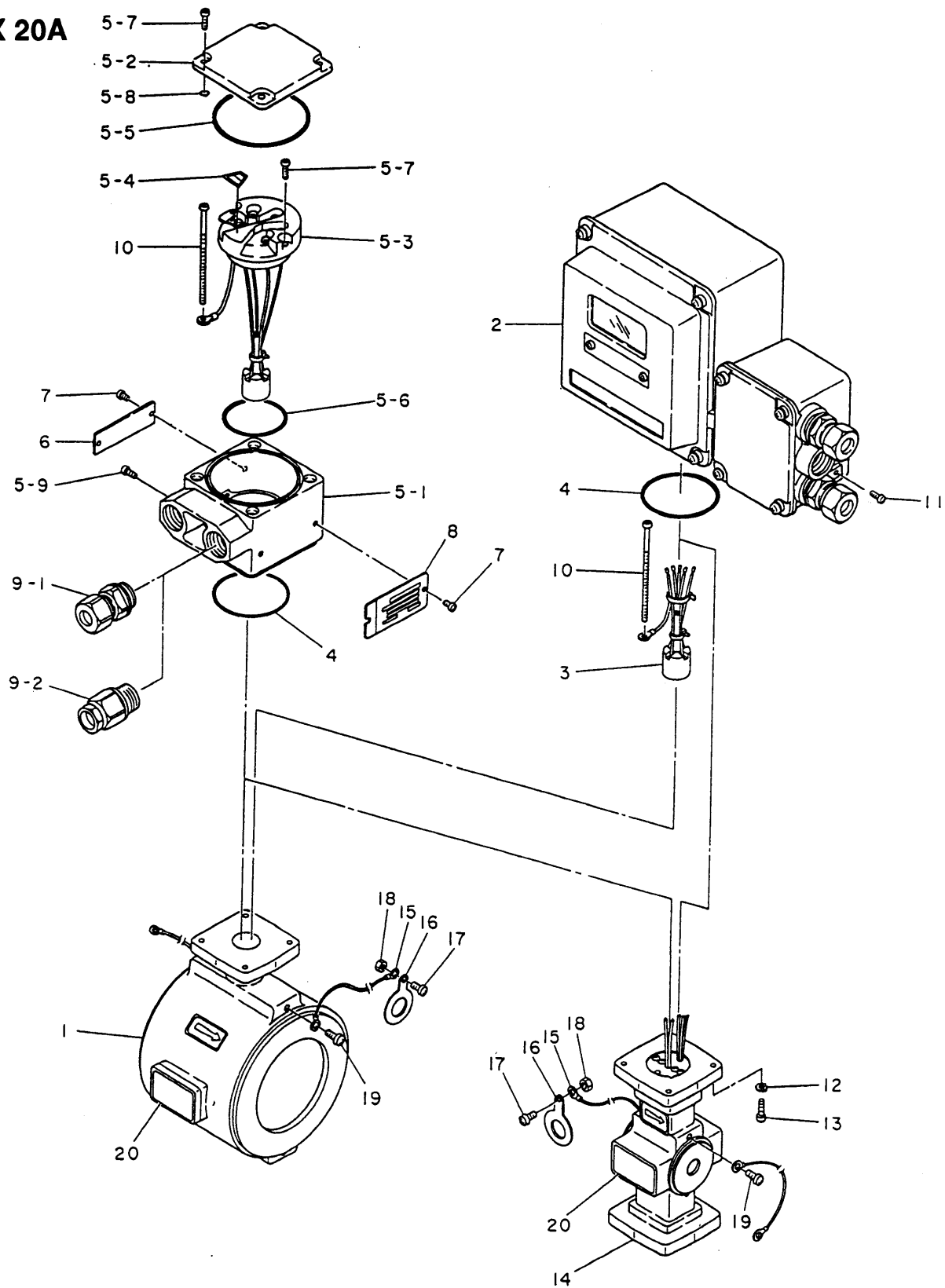
MagneW 3000 Electromagnetic Flowmeters

Ceramic Type

KID 30A / 30B

KIC 20A

KIX 20A



MagneW3000	Electromagnetic Flowmeters	KIC/KID/KIX	1st Edit : 99. 9. 1	PL2 – KID100 – 9501
			Rev.(1) : 01.9.1	8 of 53

Ceramic Type

KID 30A / 30B, KIC 20A, KIX 20A

Key No.	Description	Quantity	Part No.
1	detector unit , diameter : 40 mm	1	80356805-001
1	detector unit , diameter : 50 mm	1	80356806-001
1	detector unit , diameter : 80 mm	1	80356807-001
1	detector unit , diameter : 100 mm	1	80356808-001
2	converter assembly	1	80354245-001
2	smart converter assembly	1	80354313-001
3	plug assembly	1	80356073-001
4	" O " ring	1	80020935-807
5	terminal box unit	1	see table
5-1	terminal box	1	see table
5-2	cover	1	80356032-001(Standard finish)
5-2	cover	1	80356032-002(Y138A)
5-2	cover	1	80356032-003(Y138B)
5-3	terminal block, diameter: 15 mm, 25 mm	1	80356027-001
5-3	terminal block, assembly, diameter: 40 mm to 100 mm	1	80356030-001
5-4	label, cement to Key No. 5-3	1	80356037-001
5-5	" O " ring	1	80020935-810
5-6	" O " ring	1	80020935-705
5-7	screw	6	311-240-120
5-8	retaining ring	4	80235519-005
5-9	screw	1	311-240-060
6	Tagplate	1	80276826-001
7	screw	4	311-230-050
8	nameplate	1	80356018-001
9-1	brass (plating Ni) watertight gland	2	80356020-101
9-2	plastic watertight gland	2	80352997-001
10	screw	1	80068796-043
11	screw	1	311-240-060
12	washer	4	232-2080
13	bolt	4	314-204-160
14	detector unit , diameter : 15 mm	1	80356803-001
14	detector unit , diameter : 25 mm	1	80356804-001
15	ground cable assembly	2	80356809-101
16	washer, diameter: 15, 25, 50 mm	2	80356825-001
16	washer, diameter: 40, 80, 100 mm	2	80356825-002
17	screw	2	311-240-060
18	nut	2	351-20400
19	screw 15, 25 mm (diameter)	2	311-230-050
19	screw 40 to 100 mm (diameter)	2	311-240-060
20	sticker	1	80356850-001

MagneW3000	Electromagnetic Flowmeters	KIC/KID/KIX	1st Edit : 99. 9. 1 Rev.(1) : 01.9.1	PL2 – KID100 – 9501 9 of 53
------------	----------------------------	-------------	---	--------------------------------

Table Parts No. of Key No. 5 and 5-1

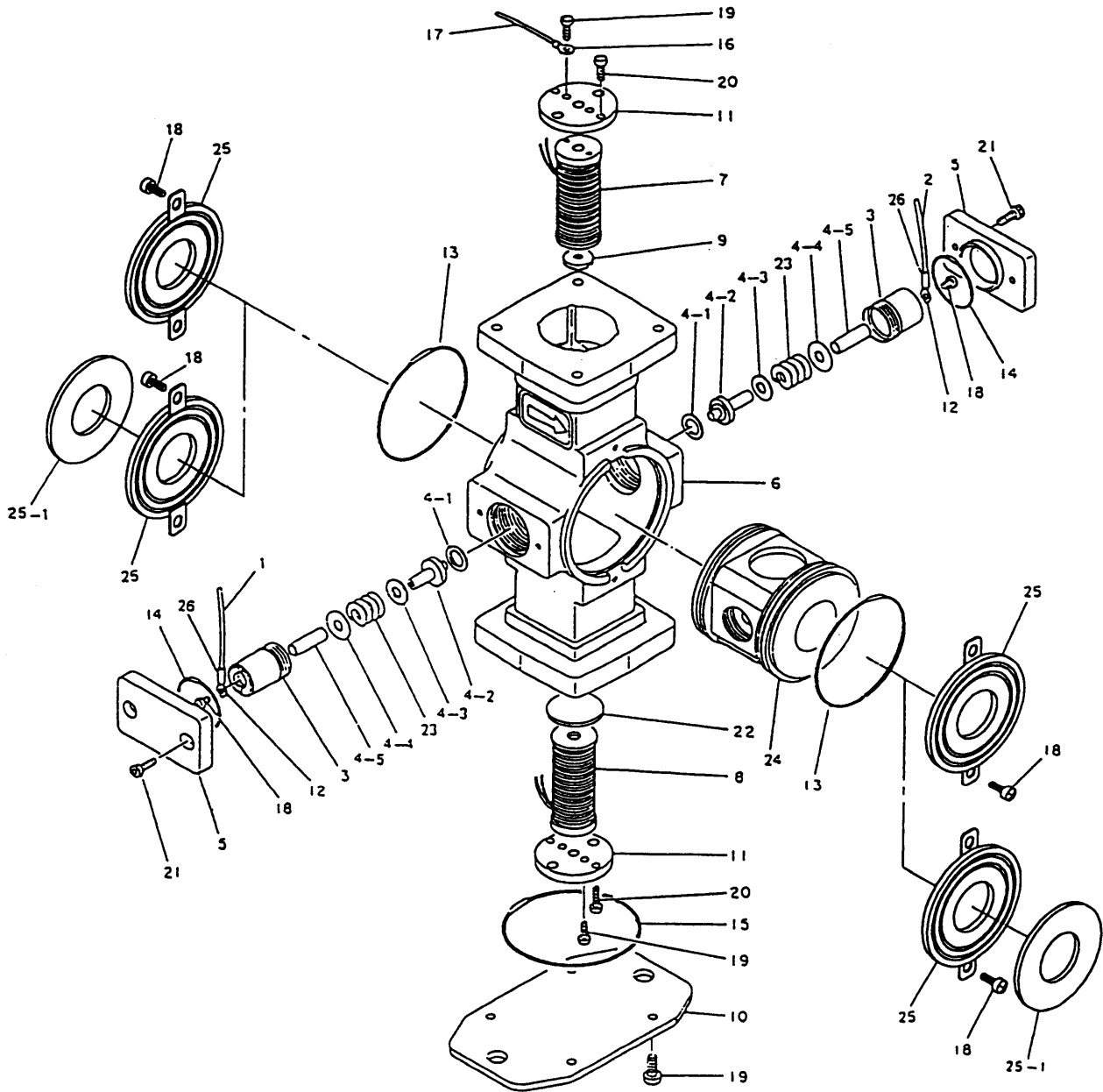
Flowmeter Size (Diameter)	Connection	Key No. 5 Part No.	Key No. 5-1 Part No.
15 mm , 25 mm (Standard Finish)	G 1/2	80356016-001	80356038-001
	1/2 NPT	80356016-004	80356038-004
	CM 20	80356016-007	80356038-007
40 mm to 100 mm (Standard Finish)	G 1/2	80356017-001	80356038-001
	1/2 NPT	80356017-004	80356038-004
	CM 20	80356017-007	80356038-007
15 mm , 25 mm (Y138A)	G 1/2	80356016-002	80356038-002
	1/2 NPT	80356016-005	80356038-005
	CM 20	80356016-008	80356038-008
40 mm to 100 mm (Y138A)	G 1/2	80356017-002	80356038-002
	1/2 NPT	80356017-005	80356038-005
	CM 20	80356017-008	80356038-008
15 mm , 25 mm (Y138B)	G 1/2	80356016-003	80356038-003
	1/2 NPT	80356016-006	80356038-006
	CM 20	80356016-009	80356038-009
40 mm to 100 mm (Y138B)	G 1/2	80356017-003	80356038-003
	1/2 NPT	80356017-006	80356038-006
	CM 20	80356017-009	80356038-009

MagneW3000	Electromagnetic Flowmeters	KIC/KID/KIX	1st Edit : 99. 9. 1 Rev.(1) : 01.9.1	PL2 – KID100 – 9501 10 of 53
------------	----------------------------	-------------	---	---------------------------------

MagneW 3000 Electromagnetic Flowmeters

Detector Unit Assembly (Diameter : 2.5mm to 25mm)

KID 10A / 10B



MagneW3000	Electromagnetic Flowmeters	KIC/KID/KIX	1st Edit : 99. 9. 1	PL2 - KID100 - 9501
			Rev.(1) : 01.9.1	11 of 53

Detector Unit Assembly

KID 10A/10B

Key No.	Description	Quantity	Part No.
0-KT	detector unit , diameter : 2.5 mm	1	80356225-001
0-KT	detector unit , diameter : 5 mm	1	80356226-001
0-KT	detector unit , diameter : 10 mm	1	80356227-001
0-KT	detector unit , diameter : 15 mm	1	80356008-001
0-KT	detector unit , diameter : 25 mm	1	80356009-001
1	shield cable assembly , diameter : 2.5, 5, 10, 15 mm	1	80380676-101
1	shield cable assembly , diameter : 25 mm	1	80380676-101
2	shield cable assembly , diameter : 2.5, 5, 10, 15 mm	1	80380676-102
2	shield cable assembly , diameter : 25 mm	1	80380676-102
3	electrode cap	2	80356050-001
4	electrode assembly	2	see table (1)
4-1	gasket , diameter : 2.5 mm	2	80356250-001
4-1	gasket , diameter : 5 mm	2	80356250-002
4-1	gasket , diameter : 10, 15, 25 mm	2	80356051-001
4-2	electrode	2	see table (1)
4-3	spacer	2	80356048-001
4-4	spacer	2	80356047-001
4-5	tube	2	80356049-001
5	electrode cover	2	82728015-001(Standard finish)
5	electrode cover	2	82728015-002(Y138A)
5	electrode cover	2	82728015-003(Y138B)
6	case , diameter : 2.5, 5, 10, 15 mm	1	82728005-005
6	case , diameter : 25 mm	1	82728007-005
7	coil assembly , diameter : 2.5 mm	1	80356237-005
7	coil assembly , diameter : 5 mm	1	80356237-007
7	coil assembly , diameter : 10 mm	1	80356237-007
7	coil assembly , diameter : 15 mm	1	80356239-003
7	coil assembly , diameter : 25 mm	1	80356099-003
8	coil assembly , diameter : 2.5 mm	1	80356237-006
8	coil assembly , diameter : 5 mm	1	80356237-008
8	coil assembly , diameter : 10 mm	1	80356239-004
8	coil assembly , diameter : 15 mm	1	80356088-004
8	coil assembly , diameter : 25 mm	1	80356099-004
9	cap , diameter : 2.5 mm	1	80356245-001
9	cap , diameter : 5 mm	1	80356246-001
9	cap , diameter : 10 , 15 mm	1	80356091-001
9	cap , diameter : 25 mm	1	80356091-002
10	bottom plate	1	80356092-001
11	follower plate	2	80356093-001
13	" O " ring , diameter : 2.5 , 5 , 10 , 15 mm	2	80020935-704
13	" O " ring , diameter : 25 mm	2	80020935-806
14	" O " ring	2	80020935-602
15	" O " ring	1	80020935-807
16	terminal	1	80380699-001
17	cable	1	80380690-010
18	screw	6	311-230-050
19	screw	8	311-240-080
20	screw	4	309-230-100
21	bolt	4	314-203-060
22	cap , for 25 mm diameter only	1	80356173-001

MagneW3000	Electromagnetic Flowmeters	KIC/KID/KIX	1st Edit : 99. 9. 1 Rev.(1) : 01.9.1	PL2 – KID100 – 9501 12 of 53
------------	----------------------------	-------------	---	---------------------------------

Detector Unit Assembly

KID 10A/10B

Key No.	Description	Quantity	Part No.
23	spring	2	80356046-001
24	main pipe , diameter : 2.5 mm	1	80356231-001
24	main pipe , diameter : 5 mm	1	80356232-001
24	main pipe , diameter : 10 mm	1	80356233-001
24	main pipe , diameter : 15 mm	1	80356080-001
24	main pipe , diameter : 25 mm	1	80356094-001
25	ground ring assembly	2	see table (2)
25-1	teflon gasket	2	see table (2)
26	tube	2	80352072-030

Table(1) Parts No. of Key No. 4 and 4-2

Flowmeter Size (Diameter : mm)	Electrodes	Key No. 4 Part No.	Key No. 4-2 Part No.
2.5	SUS316L	80356405-001	80356247-001
	Hastelloy B	80356405-002	80356251-001
	Hastelloy C	80356405-003	80356251-002
	Titanium	80356405-004	80356251-003
	Tantalum	80356405-005	80356251-004
	Platinum/Iridium	80356405-006	80356255-001
5	SUS316L	80356405-007	80356248-001
	Hastelloy B	80356405-008	80356251-005
	Hastelloy C	80356405-009	80356251-006
	Titanium	80356405-010	80356251-007
	Tantalum	80356405-011	80356251-008
	Platinum/Iridium	80356405-012	80356255-002
10 , 15 , 25	SUS316L	80356405-013	80356042-001
	Hastelloy B	80356405-014	80356043-001
	Hastelloy C	80356405-015	80356043-002
	Titanium	80356405-016	80356043-003
	Tantalum	80356405-017	80356043-004
	Platinum/Iridium	80356405-018	80356182-001

MagneW3000	Electromagnetic Flowmeters	KIC/KID/KIX	1st Edit : 99. 9. 1 Rev.(1) : 01.9.1	PL2 – KID100 – 9501 13 of 53
------------	----------------------------	-------------	---	---------------------------------

Table (2) Parts No. of Key No. 25 and 25-1

Flowmeter Size (Diameter : mm)	Ground Ring	Key No. 25 Part No.	Key No. 25-1 Part No.
2.5, 5	SUS316	80356261-001	82728099-001
	Hastelloy B	*82728098-001	
	Hastelloy C	*82728098-101	
	Titanium	*82728098-201	
	Tantalum	*82728098-301	
	Platinum	*82728098-401	
10	SUS316	80356261-002	—
	Hastelloy B	*82728098-002	82728099-002
	Hastelloy C	*82728098-102	
	Titanium	*82728098-202	
	Tantalum	*82728098-302	
	Platinum	*82728098-402	
15	SUS316	80356062-001	—
	Hastelloy B	*82728098-003	82728099-003
	Hastelloy C	*82728098-103	
	Titanium	*82728098-203	
	Tantalum	*82728098-303	
	Platinum	*82728098-403	
25	SUS316	80356062-002	—
	Hastelloy B	*82728098-004	82728099-004
	Hastelloy C	*82728098-104	
	Titanium	*82728098-204	
	Tantalum	*82728098-304	
	Platinum	*82728098-404	

* with teflon gasket

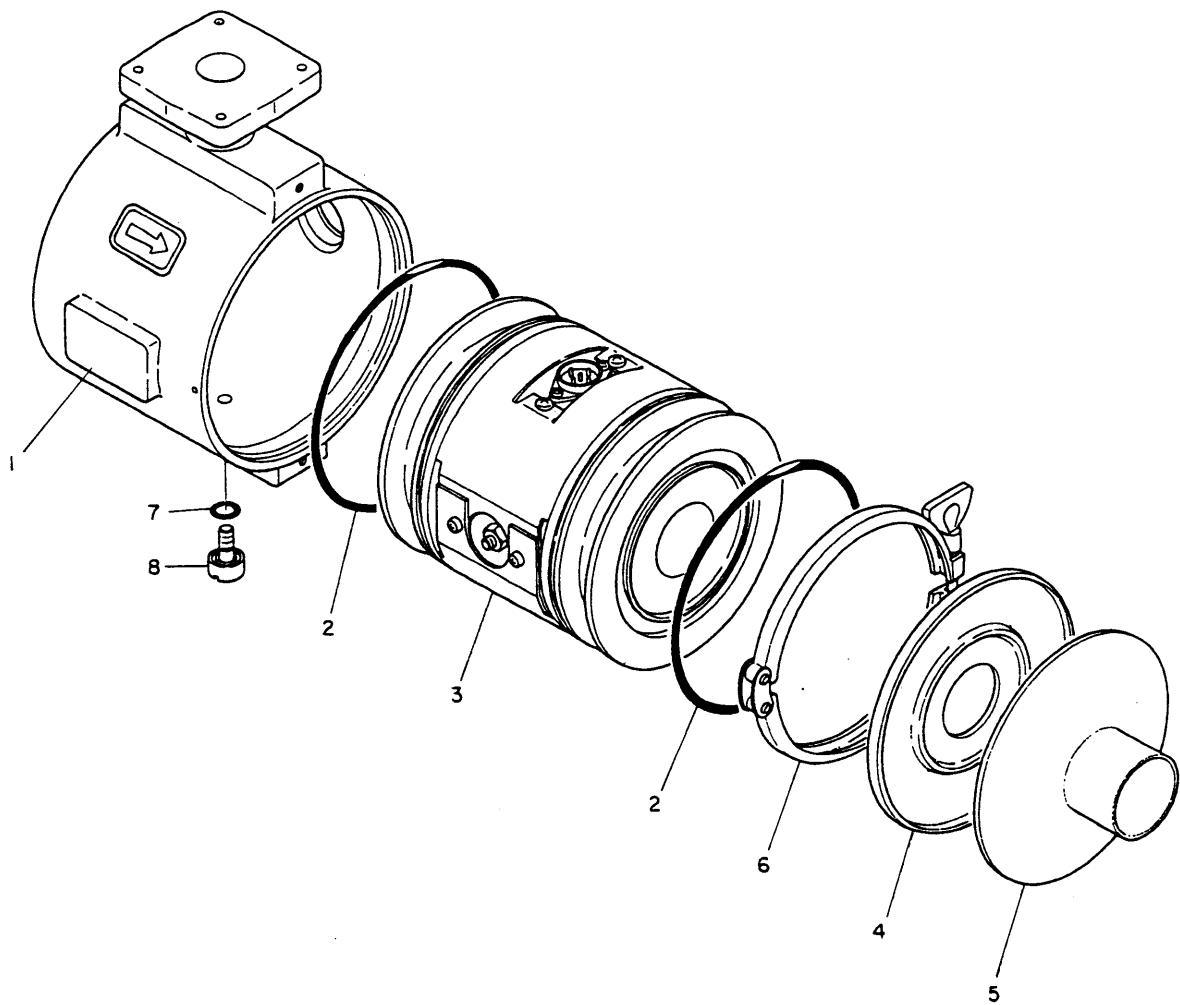
MagneW3000	Electromagnetic Flowmeters	KIC/KID/KIX	1st Edit : 99. 9. 1 Rev.(1) : 01.9.1	PL2 – KID100 – 9501 14 of 53
------------	----------------------------	-------------	---	---------------------------------

MagneW 3000 Electromagnetic Flowmeters

Detector Unit Assembly

KID 20A / 20B

Sanitary Type



MagneW3000	Electromagnetic Flowmeters	KIC/KID/KIX	1st Edit: 99. 9. 1 Rev.(1) : 01.9.1	PL2 – KID100 – 9501 15 of 53
------------	----------------------------	-------------	--	---------------------------------

Detector Unit Assembly

KID 20A/20B

Key No.	Description	Quantity	Part No.
0-KT	detector unit , diameter : 15 mm (0.5 S)	1	80356322-001
0-KT	detector unit , diameter : 25 mm (1 S)	1	80356322-002
0-KT	detector unit , diameter : 40 mm (1.5 S)	1	80356322-003
0-KT	detector unit , diameter : 50 mm (2 S)	1	80356322-004
0-KT	detector unit , diameter : 80 mm (3 S)	1	80356322-005
0-KT	detector unit , diameter : 100 mm (4 S)	1	80356322-006
1	case , diameter : 15 mm (0.5 S)	1	80356353-002
1	case , diameter : 25 mm (1 S)	1	80356353-002
1	case , diameter : 40 mm (1.5 S)	1	80356353-002
1	case , diameter : 50 mm (2 S)	1	80356369-002
1	case , diameter : 80 mm (3 S)	1	80356376-002
1	case , diameter : 100 mm (4 S)	1	80356383-002
2	" O " ring , diameter : 15 mm (0.5 S)	1	80020935-808
2	" O " ring , diameter : 25 mm (1 S)	1	80020935-808
2	" O " ring , diameter : 40 mm (1.5 S)	1	80020935-808
2	" O " ring , diameter : 50 mm (2 S)	1	80020935-809
2	" O " ring , diameter : 80 mm (3 S)	1	80020935-901
2	" O " ring , diameter : 100 mm (4 S)	1	80020935-902
3	coil unit , diameter : 15 mm (0.5 S)	1	80356333-001
3	coil unit , diameter : 25 mm (1 S)	1	80356333-002
3	coil unit , diameter : 40 mm (1.5 S)	1	80356650-001
3	coil unit , diameter : 50 mm (2 S)	1	80356650-002
3	coil unit , diameter : 80 mm (3 S)	1	80356650-003
3	coil unit , diameter : 100 mm (4 S)	1	80356650-004
4	gasket	2	see table
5	welding-use ferrule	2	see table
6	clamp band	2	see table
7	" O " ring	1	80020935-126
8	screw	1	80356076-001

Table Parts No. of Key No. 4 , 5 , 6

Flowmeter Size (Diameter)	Key No. 4	Key No. 5	Key No. 6
15 mm (0.5 S)	80356325-001	80356323-001	80356326-001
25 mm (1 S)	80356325-002	80356324-002	80356326-002
40 mm (1.5 S)	80356325-003	80356324-003	80356326-002
50 mm (2 S)	80356325-004	80356324-004	80356326-003
80 mm (3 S)	80356325-005	80356324-005	80356326-004
100 mm (4 S)	80356325-006	80356324-006	80356326-005

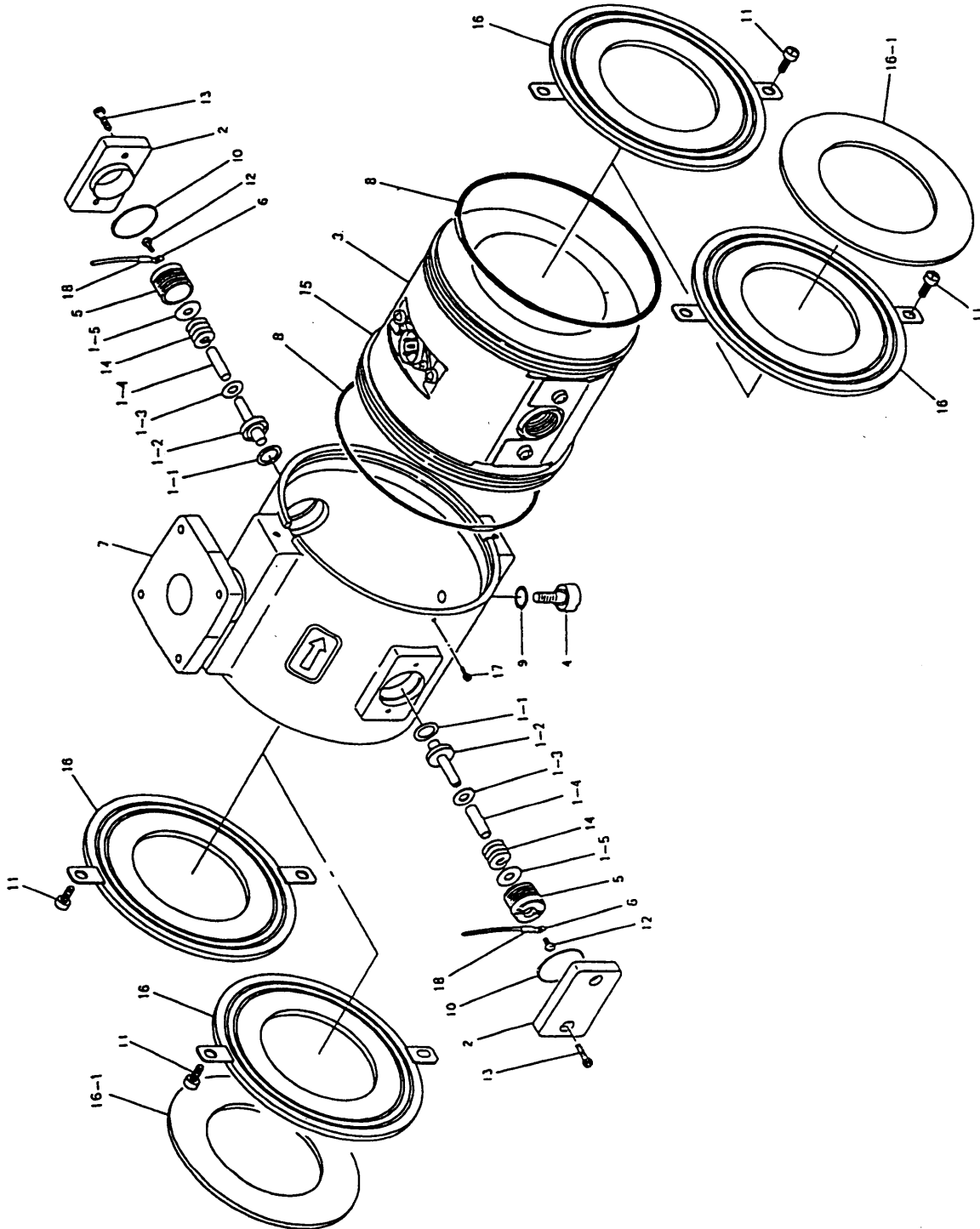
MagneW3000	Electromagnetic Flowmeters	KIC/KID/KIX	1st Edit : 99. 9. 1 Rev.(1) : 01.9.1	PL2 – KID100 – 9501 16 of 53
------------	----------------------------	-------------	---	---------------------------------

MagneW 3000 Electromagnetic Flowmeters

Detector Unit Assembly

KID 10A / 10B

Sanitary Type



MagneW3000	Electromagnetic Flowmeters	KIC/KID/KIX	1st Edit : 99. 9. 1	PL2 – KID100 – 9501
			Rev.(1) : 01.9.1	17 of 53

Detector Unit Assembly

KID 10A/10B

Key No.	Description	Quantity	Part No.
0-KT	detector unit , diameter : 40 mm	1	80356010-001
0-KT	detector unit , diameter : 50 mm	1	80356011-001
0-KT	detector unit , diameter : 80 mm	1	80356012-001
0-KT	detector unit , diameter : 100 mm	1	80356013-001
0-KT	detector unit , diameter : 150 mm	1	80356014-001
0-KT	detector unit , diameter : 200 mm	1	80356015-001
1	electrode assembly	2	see table (1)
1-1	gasket	2	80356051-002
1-2	electrode	2	see table (1)
1-3	spacer	2	80356048-001
1-4	tube	2	80356049-002
1-5	spacer	2	80356047-001
2	electrode cover	2	82728015-001(Standard finish)
2	electrode cover	2	80356047-002(Y138A)
2	electrode cover	2	80356047-003(Y138B)
3	coil unit , diameter : 40 mm	1	80356650-001
3	coil unit , diameter : 50 mm	1	80356650-002
3	coil unit , diameter : 80 mm	1	80356650-003
3	coil unit , diameter : 100 mm	1	80356650-004
3	coil unit , diameter : 150 mm	1	80356650-005
3	coil unit , diameter : 200 mm	1	80356650-006
4	screw , for 40 mm to 100 mm diameter only	1	80356076-001
5	electrode cap	2	80356077-001
6	terminal	2	80380699-001
7	case , diameter : 40 mm	1	82728112-009(Standard finish)
7	case , diameter : 50 mm	1	82728113-009
7	case , diameter : 80 mm	1	82728114-009
7	case , diameter : 100 mm	1	82728115-009
7	case , diameter : 150 mm	1	82728116-009
7	case , diameter : 200 mm	1	82728117-009
7	case , diameter : 40 mm	1	82728112-010
7	case , diameter : 50 mm	1	82728113-010
7	case , diameter : 80 mm	1	82728114-010
7	case , diameter : 100 mm	1	82728115-010
7	case , diameter : 150 mm	1	82728116-010
7	case , diameter : 200 mm	1	82728117-010(Y138A)
7	case , diameter : 40 mm	1	82728112-011
7	case , diameter : 50 mm	1	82728113-011
7	case , diameter : 80 mm	1	82728114-011
7	case , diameter : 100 mm	1	82728115-011
7	case , diameter : 150 mm	1	82728116-011
7	case , diameter : 200 mm	1	82728117-011(Y138B)
8	" O " ring , diameter : 40 mm	1	80020935-808
8	" O " ring , diameter : 50 mm	1	80020935-809
8	" O " ring , diameter : 80 mm	1	80020935-901
8	" O " ring , diameter : 100 mm	1	80020935-902
8	" O " ring , diameter : 150 mm	1	80020935-903
8	" O " ring , diameter : 200 mm	1	80020935-904
9	" O " ring , for 40 mm to 100 mm diameter only	1	80020935-126
10	" O " ring	2	80020935-602
11	screw	4	311-240-060
12	screw	2	311-230-050

MagneW3000	Electromagnetic Flowmeters	KIC/KID/KIX	1st Edit : 99. 9. 1 Rev.(1) : 01.9.1	PL2 – KID100 – 9501 18 of 53
------------	----------------------------	-------------	---	---------------------------------

Detector Unit Assembly

KID 10A/10B

Key No.	Description	Quantity	Part No.
13	bolt	4	314-203-060
14	spring	2	80356046-001
15	main pipe , diameter : 40 mm	1	80356101-001
15	main pipe , diameter : 50 mm	1	80356113-001
15	main pipe , diameter : 80 mm	1	80356124-001
15	main pipe , diameter : 100 mm (Teflon PFA)	1	80356136-001
15	main pipe , diameter : 100 mm (Polyurethane rubber)	1	80356191-001
15	main pipe , diameter : 150 mm (Teflon PFA)	1	80356146-001
15	main pipe , diameter : 150 mm (Polyurethane rubber)	1	80356192-001
15	main pipe , diameter : 200 mm (Teflon PFA)	1	80356158-001
15	main pipe , diameter : 200 mm (Polyurethane rubber)	1	80356193-001
16	ground ring assembly	2	see table (2)
16-1	teflon gasket	2	see table (2)
17	screw , for 150 mm & 200 mm diameter	2	314-204-100
18	tube	2	80352072-020

Table (1) Parts No. of Key No. 1 and 1-2

Lining	Flowmeter Size (Diameter)	Electrodes	Key No. 1 Part No.	Key No. 1-2 Part No.
teflon PFA	40 mm , 50 mm , 80 mm , 100 mm	SUS 316 L	80356405-019	80356044-001
		Hastelloy B	80356405-020	80356043-005
		Hastelloy C	80356405-021	80356043-006
		Titanium	80356405-022	80356043-007
		Tantalum	80356405-023	80356043-008
		Platinum/Iridium	80356405-024	80356182-002
	150 mm , 200 mm	SUS 316 L	80356405-025	80356044-002
		Hastelloy B	80356405-026	80356043-009
		Hastelloy C	80356405-027	80356043-010
		Titanium	80356405-028	80356043-011
		Tantalum	80356405-029	80356043-012
		Platinum/Iridium	80356405-030	80356182-003
polyurethane rubber	100 mm , 150 mm , 200 mm ,	SUS 316 L	80356405-031	80356044-003

MagneW3000	Electromagnetic Flowmeters	KIC/KID/KIX	1st Edit : 99. 9. 1 Rev.(1) : 01.9.1	PL2 – KID100 – 9501 19 of 53
------------	----------------------------	-------------	---	---------------------------------

Table (2) Parts No. of Key No. 16 and 16-1

Lining	Ground Ring	Flowmeter size (Diameter : mm)	Key No. 16 Part No.	Key No. 16-1 Part No.
teflon PFA	SUS 316	40	80356062-003	—
		50	80356062-004	
		80	80356062-005	
		100	80356062-006	
		150	80356062-007	
		200	80356062-008	
	Hastelloy B	40	*82728098-005	82728012-001
		50	*82728098-006	82728012-002
		80	*82728098-007	82728012-003
		100	*82728098-008	82728012-004
		150	*82728098-009	82728012-005
		200	*80356063-008	82728012-006
	Hastelloy C	40	*82728098-105	82728099-005
		50	*82728098-106	82728099-006
		80	*82728098-107	82728099-007
		100	*82728098-108	82728099-008
		150	*82728098-109	82728099-009
		200	*80356064-008	82728012-006
	Titanium	40	*82728098-205	82728099-005
		50	*82728098-206	82728099-006
		80	*82728098-207	82728099-007
		100	*82728098-208	82728099-008
		150	*82728098-209	82728099-009
		200	*82728000-210	82728012-006

* with teflon gasket

MagneW3000	Electromagnetic Flowmeters	KIC/KID/KIX	1st Edit : 99. 9. 1 Rev.(1) : 01.9.1	PL2 – KID100 – 9501 20 of 53
------------	----------------------------	-------------	---	---------------------------------

Table (2) Parts No. of Key No. 16 and 16-1

Lining	Ground Ring	Flowmeter size (Diameter : mm)	Key No. 16 Part No.	Key No. 16-1 Part No.
teflon PFA	Tantalm	40	*82728098-305	82728099-005
		50	*82728098-306	82728099-006
		80	*82728098-307	82728099-007
		100	*82728098-308	82728099-008
		150	*82728098-309	82728099-009
		200	*82728000-310	82728012-006
	Platinum	40	*82728098-405	82728099-005
		50	*82728098-406	82728099-006
		80	*82728098-407	82728099-007
		100	*82728098-408	82728099-008
		150	*82728098-409	82728099-009
		200	*82728000-410	82728012-006
Polyurethane rubber	SUS316	100	*80356062-006	—
		150	*80356062-007	
		200	*80356062-008	

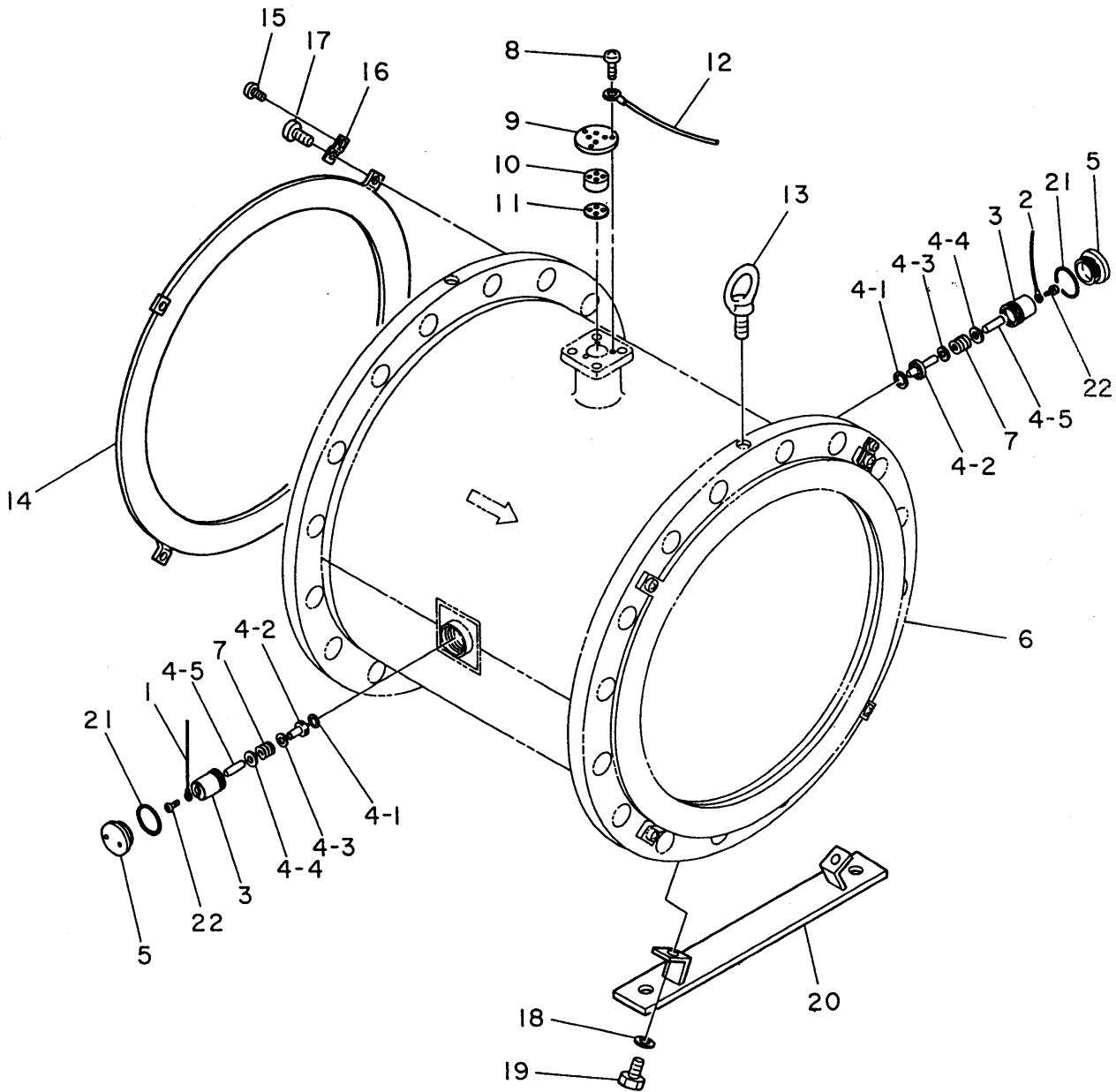
* with teflon gasket

MagneW3000	Electromagnetic Flowmeters	KIC/KID/KIX	1st Edit : 99. 9. 1 Rev.(1) : 01.9.1	PL2 – KID100 – 9501 21 of 53
------------	----------------------------	-------------	---	---------------------------------

MagneW 3000 Electromagnetic Flowmeters

Detector Unit Assembly (Diameter : 250mm to 600mm)

KID 10A / 10B



MagneW3000	Electromagnetic Flowmeters	KIC/KID/KIX	1st Edit : 99. 9. 1 Rev.(1) : 01.9.1	PL2 - KID100 - 9501 22 of 53
------------	----------------------------	-------------	---	---------------------------------

Detector Unit Assembly

KID 10A/10B

Key No.	Description	Quantity	Part No.
0-KT	detector unit , diameter : 250 mm	1	80356504-001
0-KT	detector unit , diameter : 300 mm	1	80356505-001
0-KT	detector unit , diameter : 350 mm	1	80356506-001
0-KT	detector unit , diameter : 400 mm	1	80356507-001
0-KT	detector unit , diameter : 500 mm	1	80356508-001
0-KT	detector unit , diameter : 600 mm	1	80356509-001
1	shield cable assembly , diameter : 250 mm	1	80356572-001
1	shield cable assembly , diameter : 300 mm	1	80356572-003
1	shield cable assembly , diameter : 350 mm	1	80356572-005
1	shield cable assembly , diameter : 400 mm	1	80356572-007
1	shield cable assembly , diameter : 500 mm	1	80356572-009
1	shield cable assembly , diameter : 600 mm	1	80356572-011
2	shield cable assembly , diameter : 250 mm	1	80356572-002
2	shield cable assembly , diameter : 300 mm	1	80356572-004
2	shield cable assembly , diameter : 350 mm	1	80356572-006
2	shield cable assembly , diameter : 400 mm	1	80356572-008
2	shield cable assembly , diameter : 500 mm	1	80356572-010
2	shield cable assembly , diameter : 600 mm	1	80356572-012
3	electrode cap	2	80356077-001
4	electrode assembly	2	see table (1)
4-1	gasket, diameter : 250 mm to 400 mm for teflon PFA liner	2	80356051-002
4-2	electrode	2	see table (1)
4-3	spacer	2	80356048-001
4-4	spacer	2	80356047-001
4-5	tube	2	80356049-002
5	electrode cover	2	80356527-001
6	case	1	see table (3)

MagneW3000	Electromagnetic Flowmeters	KIC/KID/KIX	1st Edit : 99. 9. 1 Rev.(1) : 01.9.1	PL2 – KID100 – 9501 23 of 53
------------	----------------------------	-------------	---	---------------------------------

Detector Unit Assembly

KID 10A/10B

Key No.	Description	Quantity	Part No.
7	spring	2	80356046-001
8	screw	3	311-230-060
9	plate	1	80356538-001
10	spacer	1	80356537-001
11	plate	1	80356539-001
12	cable assembly	1	80356526-001
13	eye bolt , diameter : 250 mm , 300 mm	2	80351901-002
13	eye bolt , diameter : 350 mm , 400 mm	2	80351901-003
13	eye bolt , diameter : 500 mm , 600 mm	2	80351901-004
14	ground ring	2	see table (2)
15	screw	4	311-230-050
16	plate	2	80356525-001
16	plate , for DIN flange diameter : 250 mm	2	80356525-002
17	screw	8	311-260-120
18	washer	4	390-21000
19	bolt	4	349-2100-0160
20	stand , diameter : 250 mm	2	80356516-001
20	stand , diameter : 300 mm	2	80356516-002
20	stand , diameter : 350 mm	2	80356516-003
20	stand , diameter : 400 mm	2	80356516-004
20	stand , diameter : 500 mm	2	80356516-005
20	stand , diameter : 600 mm	2	80356516-006
21	" O " ring	2	80020935-604
22	screw	2	311-230-060

MagneW3000	Electromagnetic Flowmeters	KIC/KID/KIX	1st Edit : 99. 9. 1 Rev.(1) : 01.9.1	PL2 – KID100 – 9501 24 of 53
------------	----------------------------	-------------	---	---------------------------------

Table (1) Parts No. of Key No. 4 and 4-2

Flowmeter Size (Diameter)	Electrodes	Key No. 4		Key No. 4-2	
		Teflon PFA liner	Chloroprene rubber liner	Teflon PFA liner	Chloroprene rubber liner
250 to 400	SUS316L	80356405-032	80356405-036	80356528-001	80356535-001
	Hastelloy C	80356405-033		80356530-001	
	Titanium	80356405-034		80356530-002	
	Platinum/Iridium	80356405-035		80356532-001	
500 to 600	SUS 316 L		80356405-036		80356535-001

Table (2) Parts No. of Key No. 14

Flowmeter Size (Diameter : mm)	Ground ring	part No .
250	SUS316	80356519-001
	Hastelloy C	80356519-002
	Titanium	80356639-001
300	SUS316	80356520-001
	Hastelloy C	80356520-002
	Titanium	80356639-002
350	SUS316	80356521-001
	Hastelloy C	80356521-002
	Titanium	80356639-003
400	SUS316	80356522-001
	Hastelloy C	80356522-002
	Titanium	80356639-004
500	SUS316	80356523-001
600	SUS316	80356524-001

MagneW3000	Electromagnetic Flowmeters	KIC/KID/KIX	1st Edit : 99. 9. 1 Rev.(1) : 01.9.1	PL2 – KID100 – 9501 25 of 53
------------	----------------------------	-------------	---	---------------------------------

Table (3) Parts No. of Key No. 6

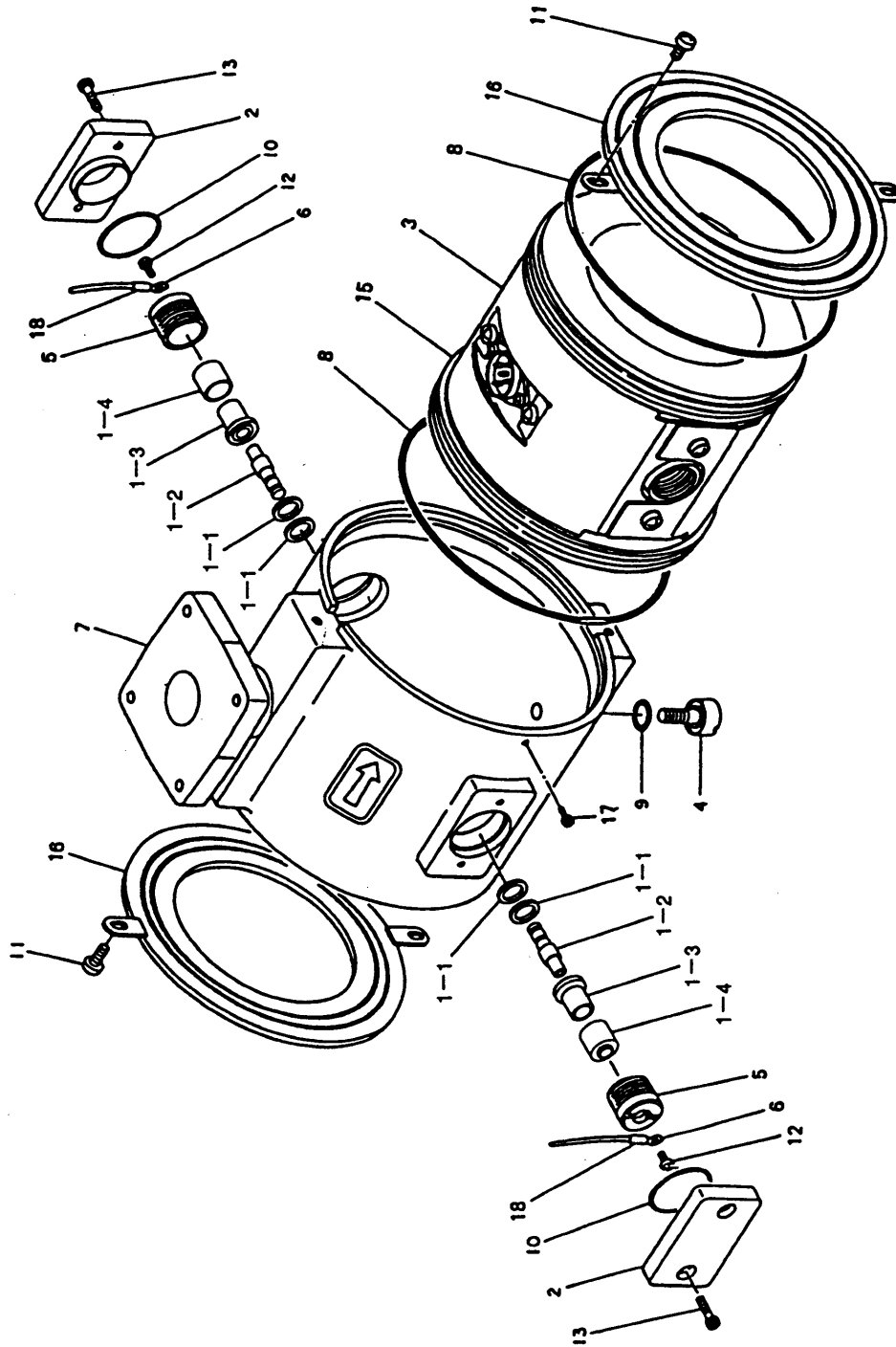
Flowmeter Size (Diameter : mm)	Liner	Flange	Part No.
250	PFA	JIS 10K	80356510-001
		JIS 20K	80356510-002
		ANSI 150	80356510-003
		JIS water service class 2	80356510-004
		DIN ND10	80356510-005
	CR	JIS 10K	80356510-101
	ANSI 150	80356510-102	
	JIS water service class 2	80356510-103	
	DIN ND10	80356510-104	
300	PFA	JIS 10K	80356511-001
		JIS 20K	80356511-002
		ANSI 150	80356511-003
		JIS water service class 2	80356511-004
		DIN ND10	80356511-005
	CR	JIS 10K	80356511-101
	ANSI 150	80356511-102	
	JIS water service class 2	80356511-103	
	DIN ND10	80356511-104	
350	PFA	JIS 10K	80356512-001
		ANSI 150	80356512-002
		JIS water service class 2	80356512-003
		DIN ND10	80356512-004
		CR	JIS 10K
		ANSI 150	80356512-102
	JIS water service class 2	80356512-103	
	DIN ND10	80356512-104	
400	PFA	JIS 10K	80356513-001
		ANSI 150	80356513-002
		JIS water service class 2	80356513-003
		DIN ND10	80356513-004
		CR	JIS 10K
		ANSI 150	80356513-102
	JIS water service class 2	80356513-103	
	DIN ND10	80356513-104	
500	CR	JIS 10K	80356514-001
		ANSI 150	80356514-002
		JIS water service class 2	80356514-003
		DIN ND10	80356514-004
600	CR	JIS 10K	80356515-001
		ANSI 150	80356515-002
		JIS water service class 2	80356515-003
		DIN ND10	80356515-004

MagneW3000	Electromagnetic Flowmeters	KIC/KID/KIX	1st Edit : 99. 9. 1 Rev.(1) : 01.9.1	PL2 – KID100 – 9501 26 of 53
------------	----------------------------	-------------	---	---------------------------------

MagneW 3000 Electromagnetic Flowmeters

Detector Unit Assembly (Diameter : 80mm to 200mm)

KID 50A / 50B



MagneW3000	Electromagnetic Flowmeters	KIC/KID/KIX	1st Edit : 99. 9. 1 Rev.(1) : 01.9.1	PL2 - KID100 - 9501 27 of 53
------------	----------------------------	-------------	---	---------------------------------

Detector Unit Assembly

KID 50A/50B

Key No.	Description	Quantity	Part No.
0-KT	detector unit , diameter : 80 mm	1	80357402-001
0-KT	detector unit , diameter : 100 mm	1	80357412-001
0-KT	detector unit , diameter : 150 mm	1	80357416-001
0-KT	detector unit , diameter : 200 mm	1	80357423-001
1-1	" O " ring	4	80020935-127
1-2	electrode , diameter : 80 , 100 mm	2	80357403-001
1-2	electrode , diameter : 150 , 200 mm	2	80357403-002
1-3	screw	2	80357405-001
1-4	spacer	2	80357406-001
2	electrode cover	2	82728015-001(Standard finish)
2	electrode cover	2	82728015-002(Y138A)
2	electrode cover	2	82728015-003(Y138B)
3	coil unit , diameter : 80 mm	1	80357404-003
3	coil unit , diameter : 100 mm	1	80357404-004
3	coil unit , diameter : 150 mm	1	80357404-005
3	coil unit , diameter : 200 mm	1	80357404-006
4	screw , for 40 mm to 100 mm diameter only	1	80356076-001
5	electrode cap	2	80356077-001
6	terminal	2	80380699-001(Standard finish)
7	case , diameter : 80 mm	1	82728114-009(Standard finish)
7	case , diameter : 100 mm	1	82728115-009(Standard finish)
7	case , diameter : 150 mm	1	82728116-009(Standard finish)
7	case , diameter : 200 mm	1	82728117-009(Standard finish)
7	case , diameter : 80 mm	1	82728114-010
7	case , diameter : 100 mm	1	82728115-010
7	case , diameter : 150 mm	1	82728116-010
7	case , diameter : 200 mm	1	82728117-010(Y138A)
7	case , diameter : 80 mm	1	82728114-011
7	case , diameter : 100 mm	1	82728115-011
7	case , diameter : 150 mm	1	82728116-011
7	case , diameter : 200 mm	1	82728117-011(Y138B)
8	" O " ring , diameter : 80 mm	1	80020935-901
8	" O " ring , diameter : 100 mm	1	80020935-902
8	" O " ring , diameter : 150 mm	1	80020935-903
8	" O " ring , diameter : 200 mm	1	80020935-904
9	" O " ring , for 40 mm to 100 mm diameter only	1	80020935-126
10	" O " ring	2	80020935-602
11	screw	4	311-240-060
12	screw	2	311-230-050
13	bolt	4	314-203-060
14	spring	2	80356046-001
15	main pipe , diameter : 80 mm	1	80356124-001
15	main pipe , diameter : 100 mm (Teflon PFA)	1	80356136-001
15	main pipe , diameter : 150 mm (Teflon PFA)	1	80357417-001
15	main pipe , diameter : 200 mm (Teflon PFA)	1	80356158-001
16	Grounding pipe assembly	2	see table(1)
17	screw , for 150 mm to 200 mm diameter	2	314-204-100
18	tube	2	80352072-020

MagneW3000	Electromagnetic Flowmeters	KIC/KID/KIX	1st Edit : 99. 9. 1 Rev.(1) : 01.9.1	PL2 – KID100 – 9501 28 of 53
------------	----------------------------	-------------	---	---------------------------------

Detector Unit Assembly

KID 50A/50B

Table (1) Parts No. of Key No. 16

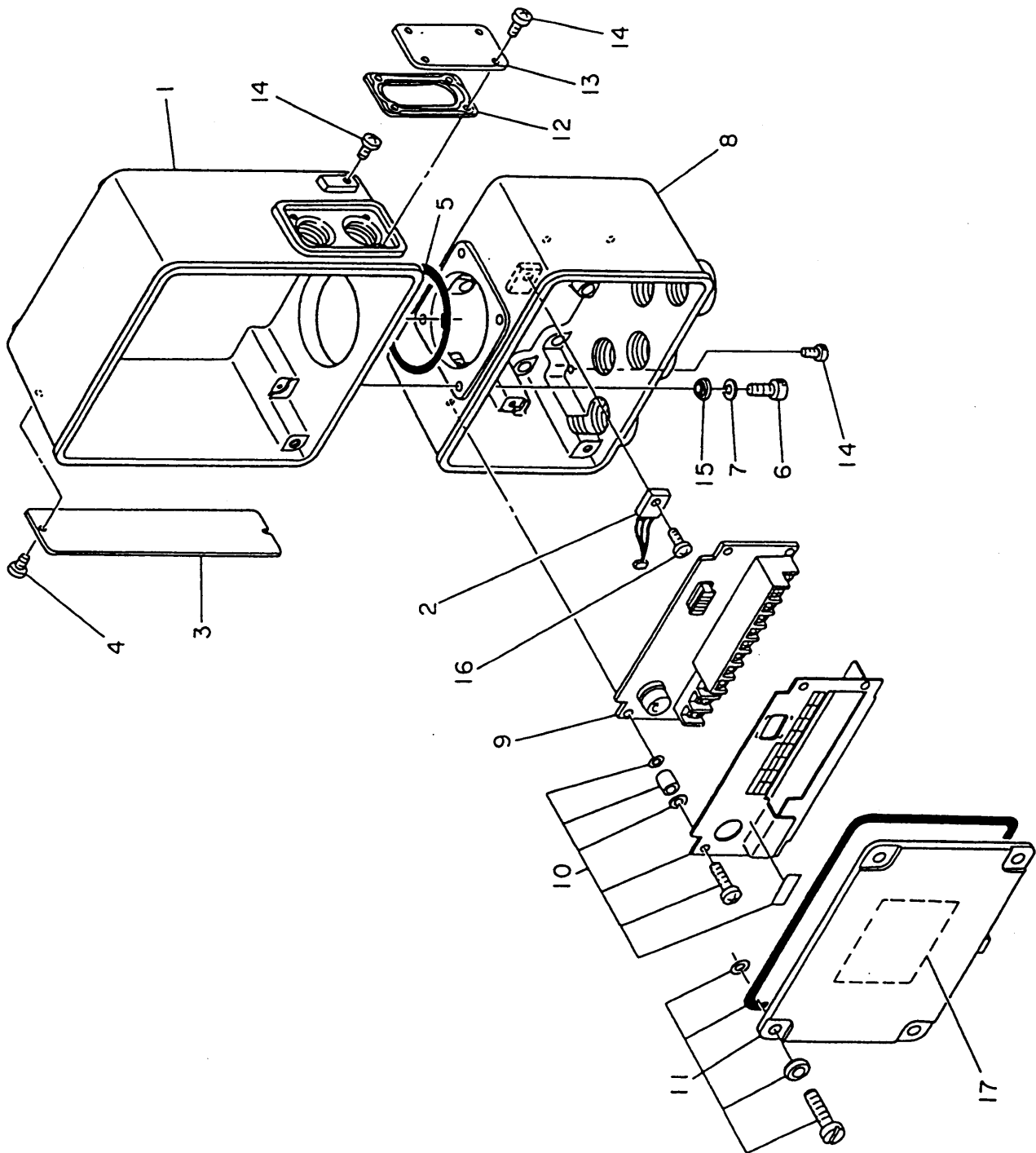
Lining	Grounding pipe	Flowmeter Size (Diameter : mm)	Key No. 16 Part No.
	SUS 316	80	80380240-001
		100	80380241-001
		150	80380242-001
		200	80380243-001

MagneW3000	Electromagnetic Flowmeters	KIC/KID/KIX	1st Edit : 99. 9. 1 Rev.(1) : 01.9.1	PL2 – KID100 – 9501 29 of 53
------------	----------------------------	-------------	---	---------------------------------

Smart MagneW 3000 Electromagnetic Flowmeters

FM Approval Converter Assembly (Remote Type)

KIX 18B



MagneW3000	Electromagnetic Flowmeters	KIC/KID/KIX	1st Edit : 99. 9. 1 Rev.(1) : 01.9.1	PL2 – KID100 – 9501 30 of 53
------------	----------------------------	-------------	---	---------------------------------

FM approval Converter Assembly

KIX 18B

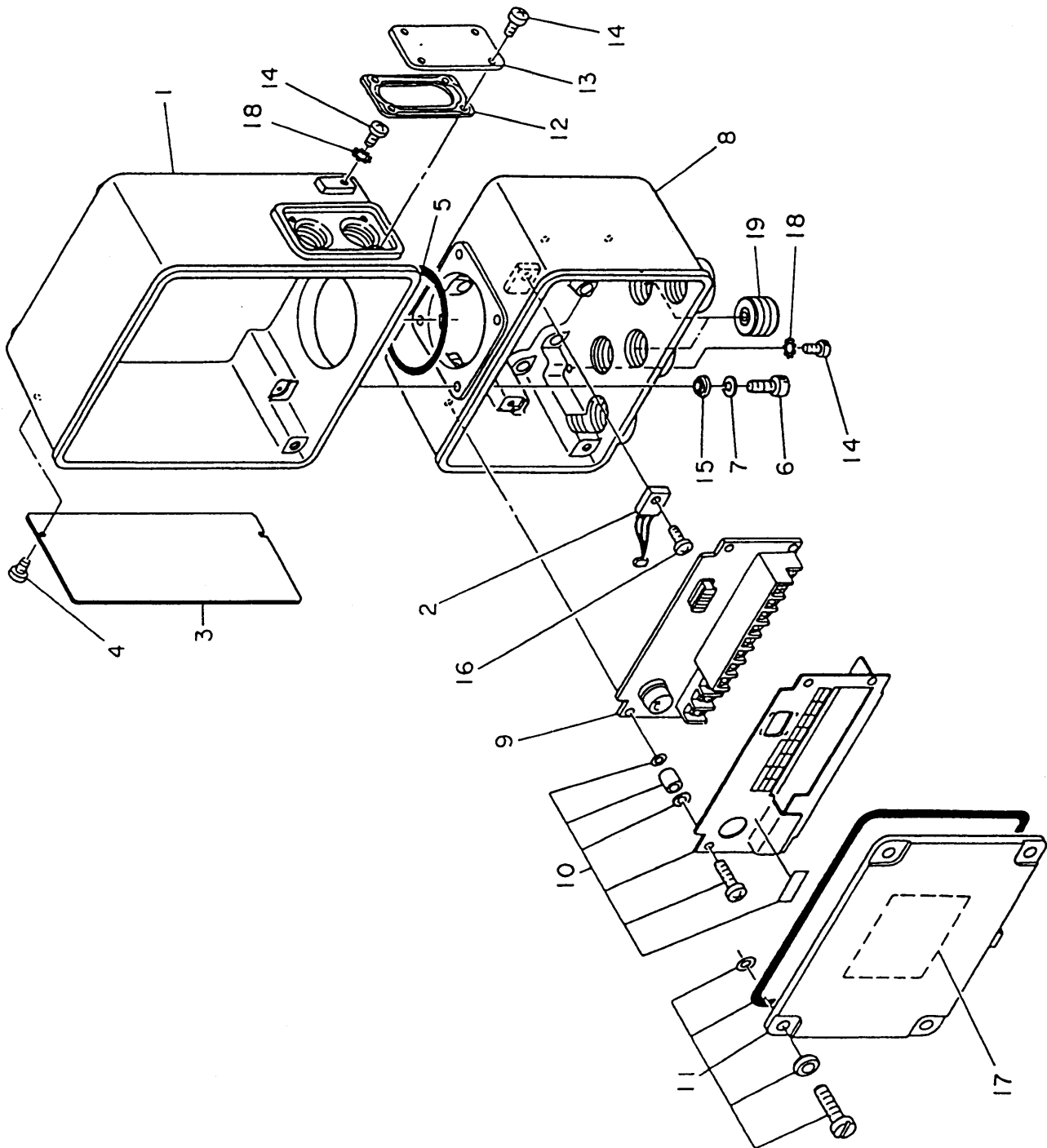
Key No.	Description	Quantity	Part No.
1	main case , simple hole	1	80354121-010
2	power transistor assembly	1	80354334-001
3	nameplate	1	80354348-001
4	screw	4	311-230-060
5	" O " ring	1	80020935-807
6	bolt	4	314-304-165
7	washer	4	231-1073
8	terminal box (B) 1/2 NPT connection	1	80354148-004
9	terminal box (B) PC board assembly , with arrester (100 , 110 , 120 VAC)	1	80354318-001
9	terminal box (B) PC board assembly , with arrester (200 , 220 , 240 VAC)	1	80354318-002
9	terminal box (B) PC board assembly , with arrester (24 VDC)	1	80354318-003
10	terminal box (B) smoothly planed board	1	80354328-001
11	terminal box (B) cover assembly	1	80354153-001
12	gasket , for remote type or integral with terminal box type	1	80354146-001
13	blind plate	1	80354147-001
14	screw	6	311-240-060
15	seal washer	4	80352967-002
16	screw	1	397-103-103
17	label	1	80354325-001

MagneW3000	Electromagnetic Flowmeters	KIC/KID/KIX	1st Edit : 99. 9. 1 Rev.(1) : 01.9.1	PL2 - KID100 - 9501 31 of 53
------------	----------------------------	-------------	---	---------------------------------

Smart MagneW 3000 Electromagnetic Flowmeters

CSA Approval Converter Assembly (Remote Type)

KIX 19B



MagneW3000	Electromagnetic Flowmeters	KIC/KID/KIX	1st Edit : 99. 9. 1 Rev.(1) : 01.9.1	PL2 - KID100 - 9501 32 of 53
------------	----------------------------	-------------	---	---------------------------------

CSA Approval Converter Assembly

KIX 19B

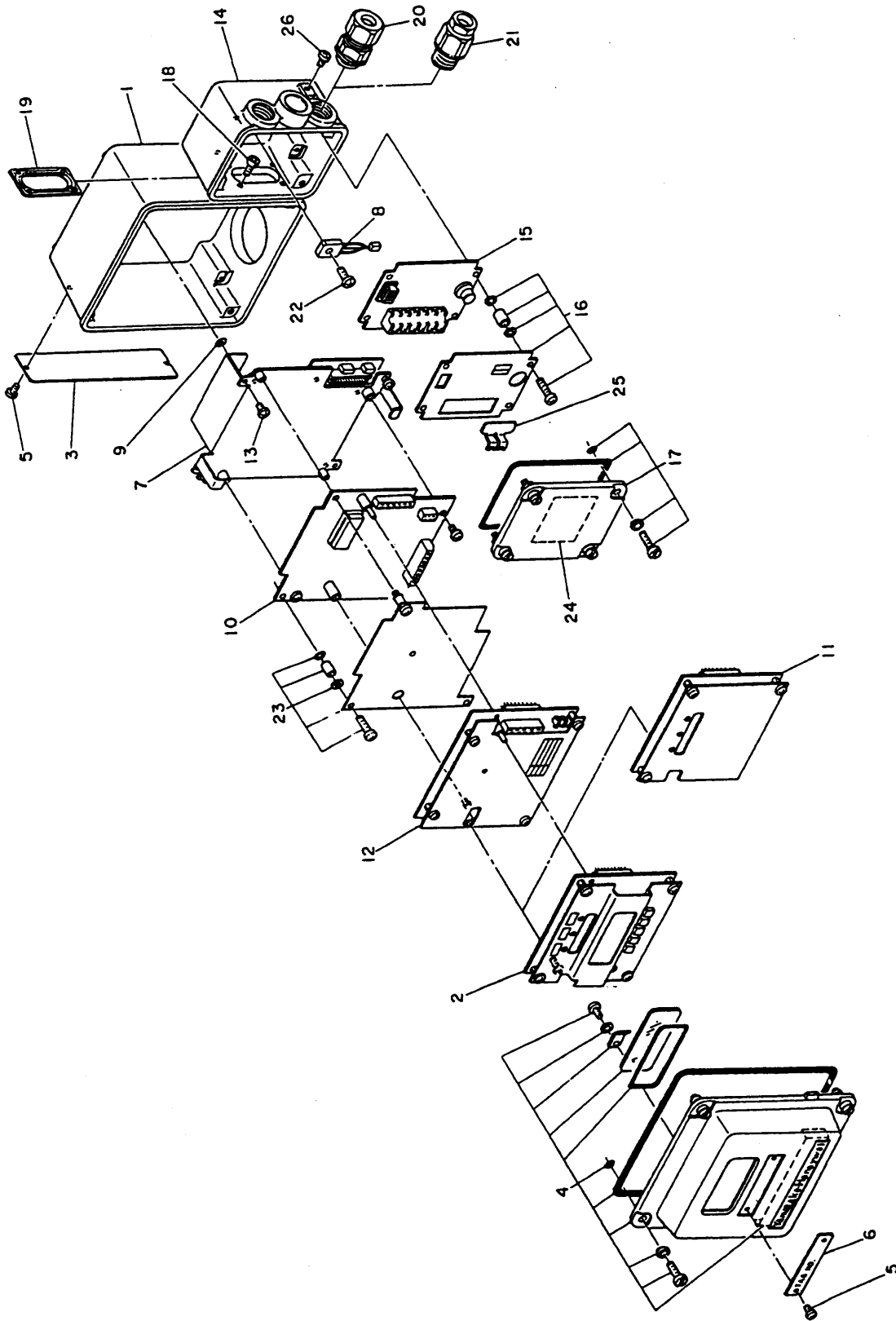
Key No.	Description	Quantity	Part No.
1	main case , simple hole	1	80515291-010
2	power transistor assembly	1	80354334-001
3	nameplate	1	80354215-001
4	screw	4	311-230-060
5	" O " ring	1	80020935-807
6	bolt	4	314-304-165
7	washer	4	231-1073
8	terminal box (B) 1/2 NPT connection	1	80515431-004
9	terminal box (B) PC board assembly , with arrester (100 , 110 , 120 VAC)	1	80515408-001
10	terminal box (B) smoothly planed board	1	80515292-001
11	terminal box (B) cover assembly	1	80354153-001
12	gasket , for remote type or integral with terminal box type	1	80354146-001
13	blind plate	1	80354147-001
14	screw	6	311-240-060
15	seal washer	4	80352967-002
16	screw	1	397-103-103
17	label	1	80354325-001
18	star washer	2	232-2080
19	plug	2	80515294-001

MagneW3000	Electromagnetic Flowmeters	KIC/KID/KIX	1st Edit : 99. 9. 1 Rev.(1) : 01.9.1	PL2 – KID100 – 9501 33 of 53
------------	----------------------------	-------------	---	---------------------------------

Smart MagneW 3000 Electromagnetic Flowmeters

Converter Assembly

KIX 20A



MagneW3000	Electromagnetic Flowmeters	KIC/KID/KIX	1st Edit : 99. 9. 1	PL2 – KID100 – 9501
			Rev.(1) : 01.9.1	34 of 53

Converter Assembly

KIX 20A

Key No.	Description	Quantity	Part No.
1	main case , G 1/2 connection	1	80354121-001
1	main case , 1/2 NPT connection	1	80354121-004
1	main case , CM 20 connection	1	80354121-007
1	main case , simple hole	1	80354121-010
2	digital operator panel	1	80354316-001
3	nameplate	1	80354133-001
4	main cover assembly	1	80354134-001
5	screw	4	311-230-060
6	plastic sculpture plate	1	80276826-001
7	power unit , 100 , 110 , 120 VAC	1	80354319-001
7	power unit , 200 , 220 , 240 VAC	1	80354319-002
7	power unit , 24 VDC	1	80354319-003
8	power transistor assembly	1	80354334-001
9	retaining ring	4	80235519-001
10	main PC board assembly	1	80354314-001
11	display board	1	80354316-002
12	V/F PC board assembly , for pulse output-accepting mercury relay contact pulse output	1	80354315-001
12	V/F PC board assembly , for mercury relay contact pulse output	1	80354315-002
13	screw	4	311-530-062
14	terminal box (A) , (G 1/2 connection)	1	80354138-001
14	terminal box (A) , (1/2 NPT connection)	1	80354138-004
14	terminal box (A) , (CM 20 connection)	1	80354138-007
15	terminal box (A) PC board assembly , with arrester (100 , 110 , 120 VAC)	1	80354317-001
15	terminal box (A) PC board assembly , with arrester (200 , 220 , 240 VAC)	1	80354317-002
15	terminal box (A) PC board assembly , with arrester (24 VDC)	1	80354317-003
16	terminal box (A) smoothly planed board	1	80354326-001
17	terminal box (A) cover assembly	1	80354143-001

MagneW3000	Electromagnetic Flowmeters	KIC/KID/KIX	1st Edit : 99. 9. 1 Rev.(1) : 01.9.1	PL2 - KID100 - 9501 35 of 53
------------	----------------------------	-------------	---	---------------------------------

Converter Assembly

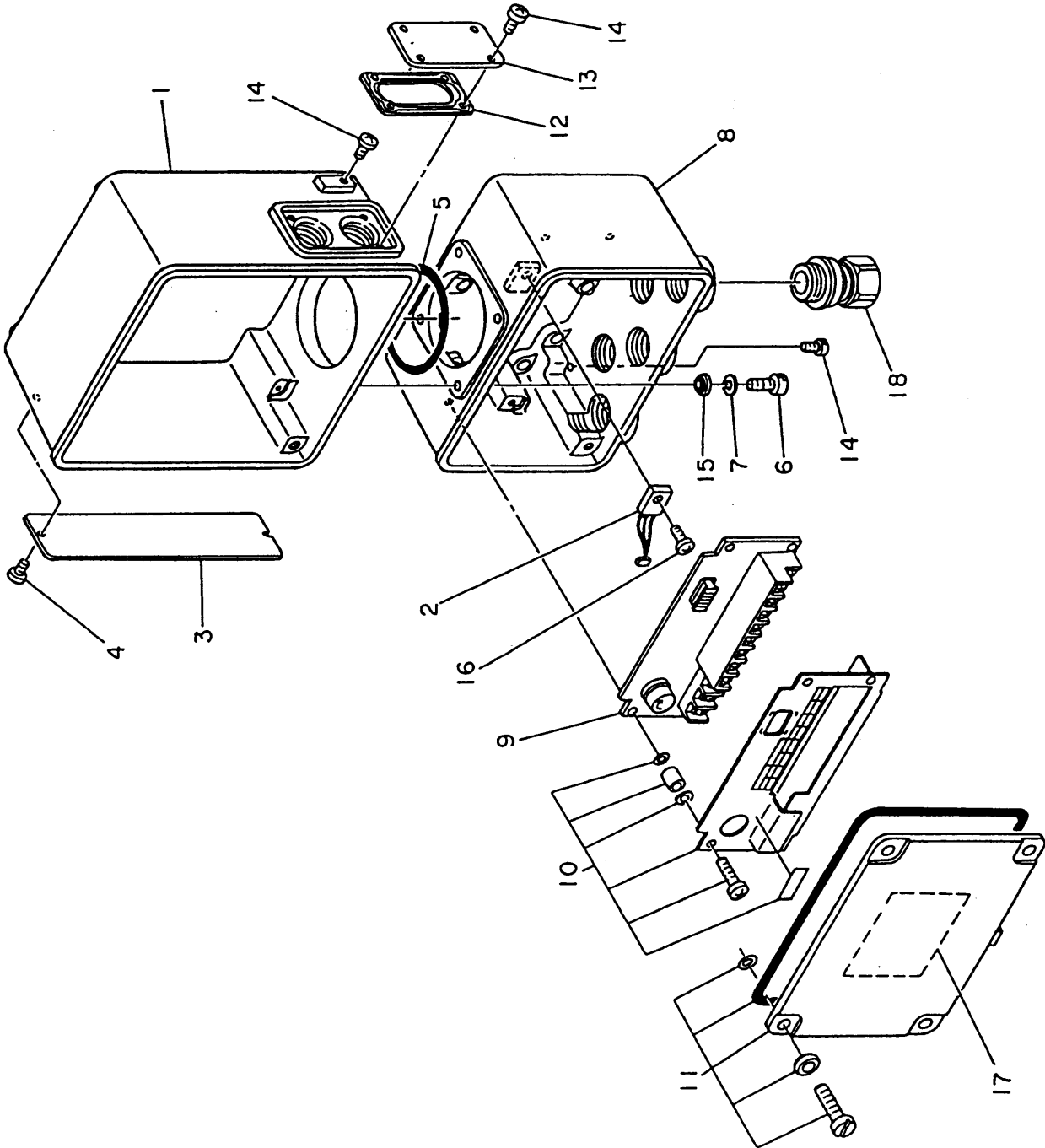
Key No.	Description	Quantity	Part No.
18	bolt	4	314-304-145
19	gasket , for remote type or integrated with terminal box type	1	80354146-001
20	watertight gland	3	80356020-101
21	plastic watertight gland	3	80352997-001
22	screw	1	397-103-103
23	smoothly planed board	1	80354134-001
24	label	1	80354325-001
25	protected cover	1	80354331-001
26	screw	1	311-240-060

MagneW3000	Electromagnetic Flowmeters	KIC/KID/KIX	1st Edit : 99. 9. 1 Rev.(1) : 01.9.1	PL2 – KID100 – 9501 36 of 53
------------	----------------------------	-------------	---	---------------------------------

Smart MagneW 3000 Electromagnetic Flowmeters

Converter Assembly (Remote Type)

KIX 20B



MagneW3000	Electromagnetic Flowmeters	KIC/KID/KIX	1st Edit : 99. 9. 1 Rev.(1) : 01.9.1	PL2 - KID100 - 9501 37 of 53
------------	----------------------------	-------------	---	---------------------------------

Converter Assembly

KIX 20B

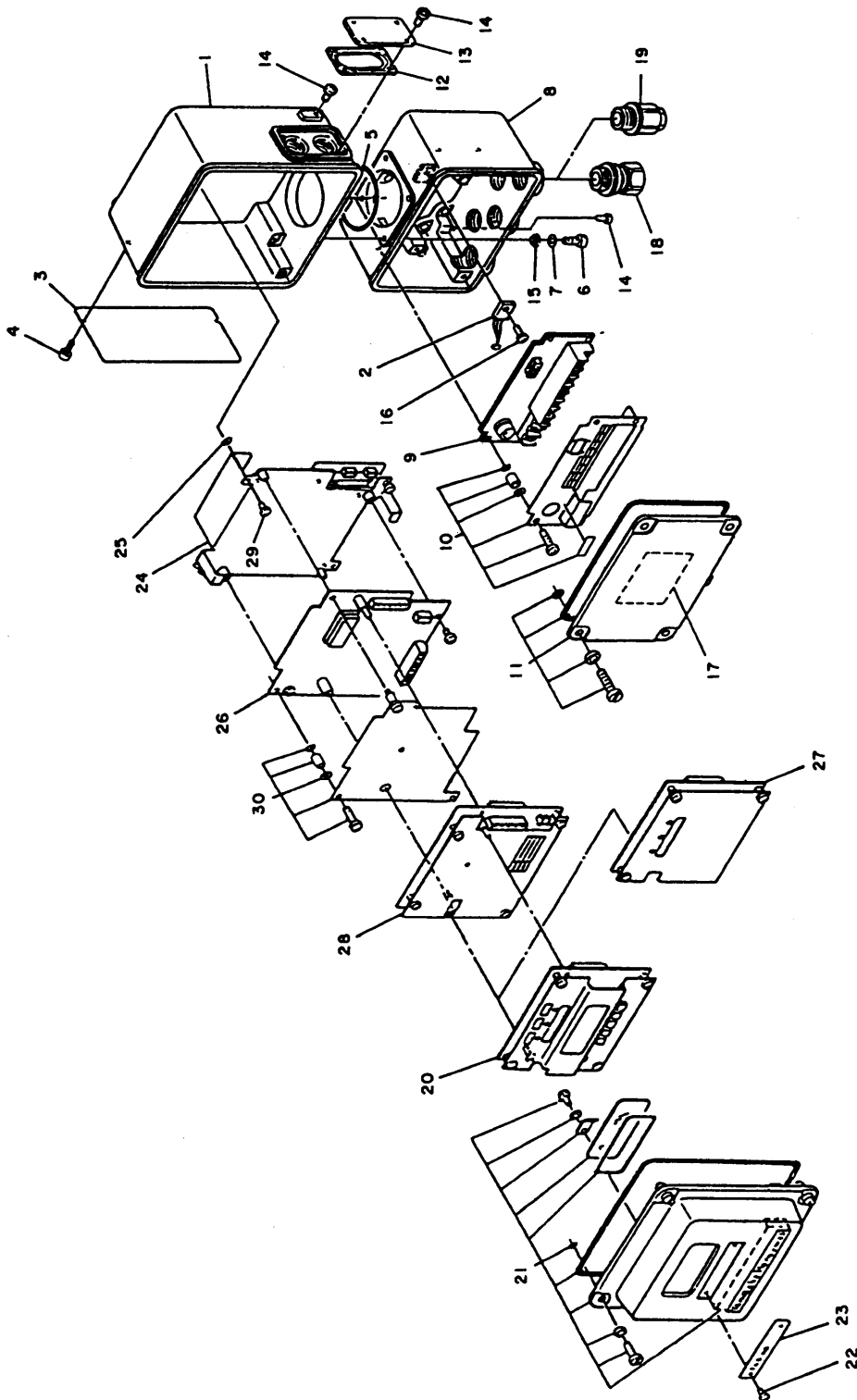
Key No.	Description	Quantity	Part No.
1	main case , G 1/2 connection	1	80354121-001
1	main case , 1/2 NPT connection	1	80354121-004
1	main case , CM 20 connection	1	80354121-007
1	main case , simple hole	1	80354121-010
2	power transistor assembly	1	80354334-001
3	nameplate	1	80354133-001
4	screw	4	311-230-060
5	" O " ring	1	80020935-807
6	bolt	4	314-304-145
7	washer	4	231-1073
8	terminal box (B) , G 1/2 connection	1	80354148-001
8	terminal box (B) , 1/2 NPT connection	1	80354148-004
8	terminal box (B) , CM 20 connection	1	80354148-007
9	terminal box (B) PC board assembly , with arrester (100 , 110 , 120 VAC)	1	80354318-001
9	terminal box (B) , PC board assembly , with arrester (200 , 220 , 240 VAC)	1	80354318-002
9	terminal box (B) PC board assembly , with arrester (24 VDC)	1	80354318-003
10	terminal box (B) smoothly planed board	1	80354328-001
11	terminal box (B) cover assembly	1	80354153-001
12	gasket , for remote type or integral with terminal box type	1	80354146-001
13	blind plate	1	80354147-001
14	screw	6	311-240-060
15	seal washer	4	80352967-002
16	screw	1	397-103-103
17	label	1	80354325-001
18	watertight gland	5	80356020-101
19	plastic watertight gland	5	80352997-001

MagneW3000	Electromagnetic Flowmeters	KIC/KID/KIX	1st Edit : 99. 9. 1	PL2 – KID100 – 9501
			Rev.(1) : 01.9.1	38 of 53

Smart MagneW 3000 Electromagnetic Flowmeters (Noise-Resistant Model)

KIX 40B

Converter Assembly (Remote Type)



MagneW3000	Electromagnetic Flowmeters	KIC/KID/KIX	1st Edit : 99. 9. 1	PL2 – KID100 – 9501
			Rev.(1) : 01.9.1	39 of 53

Converter Assembly

KIX 40B

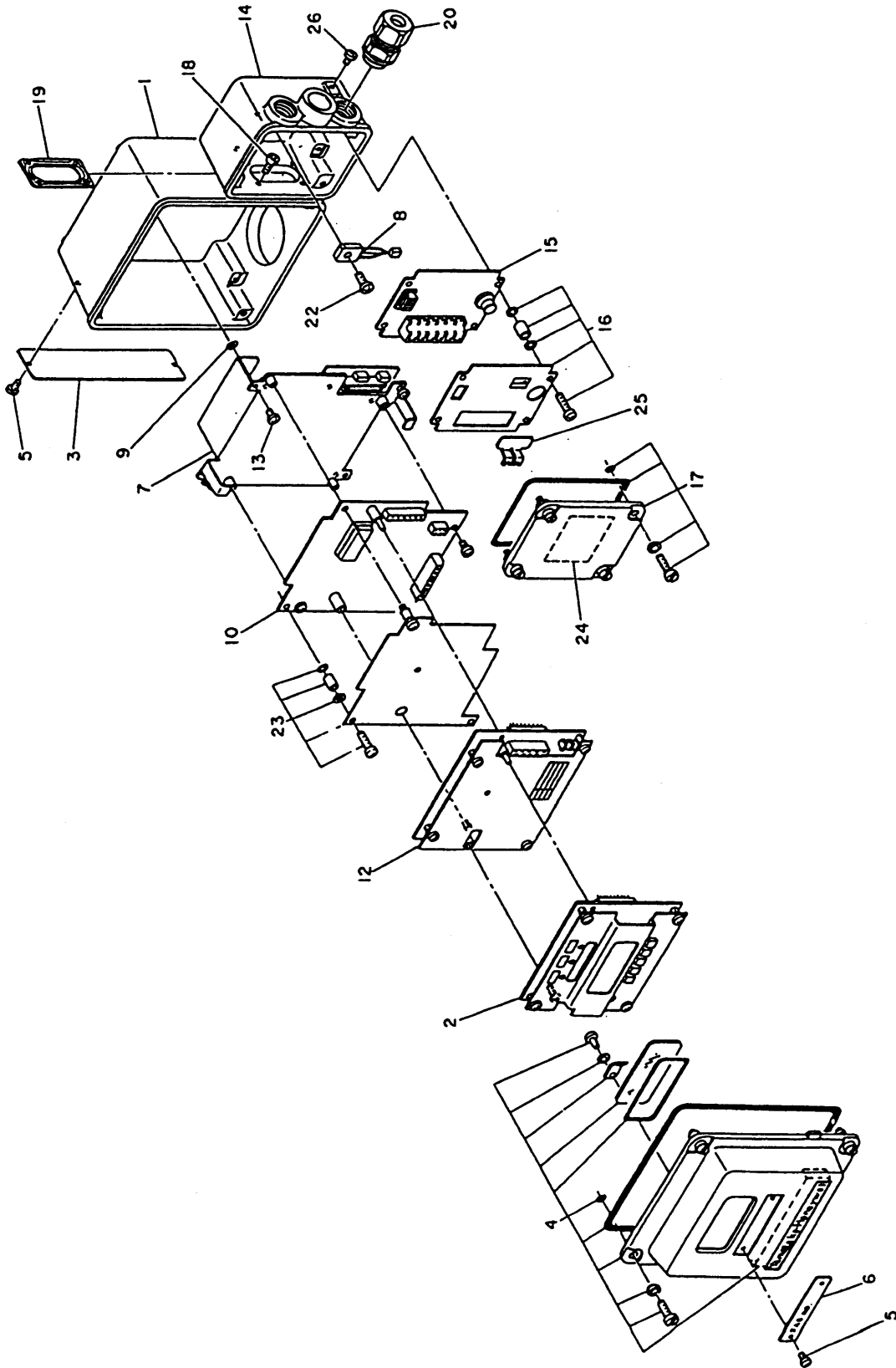
Key No.	Description	Quantity	Part No.
1	main case , G 1/2 connection	1	80354121-001
1	main case , 1/2 NPT connection	1	80354121-004
1	main case , CM 20 connection	1	80354121-007
1	main case , simple hole	1	80354121-010
2	power transistor assembly	1	80354334-001
3	nameplate	1	80354133-001
4	screw	4	311-230-060
5	" O " ring	1	80020935-807
6	bolt	4	314-304-145
7	washer	4	231-1073
8	terminal box (B) , G 1/2 connection	1	80354148-001
8	terminal box (B) , 1/2 NPT connection	1	80354148-004
8	terminal box (B) , CM 20 connection	1	80354148-007
9	terminal box (B) PC board assembly , with arrester (100 , 110 , 120 VAC)	1	80354318-001
9	terminal box (B) , PC board assembly , with arrester (200 , 220 , 240 VAC)	1	80354318-002
9	terminal box (B) PC board assembly , with arrester (24 VDC)	1	80354318-003
10	terminal box (B) smoothly planed board	1	80354328-001
11	terminal box (B) cover assembly	1	80354153-001
12	gasket , for remote type or integral with terminal box type	1	80354146-001
13	blind plate	1	80354147-001
14	screw	6	311-240-060
15	seal washer	4	80352967-002
16	screw	1	397-103-103
17	label	1	80354325-001
18	watertight gland	5	80356020-101
19	plastic watertight gland	5	80352997-001
20	digital operator panel	1	80354316-001
21	main cover assembly	1	80354134-001
22	screw	4	311-230-060
23	plastic sculpture plate	1	80276826-001
24	power unit , 100 , 110 , 120 VAC	1	80354489-001
25	retaining ring	4	80235519-001
26	main PC board assembly	1	80354485-001
27	display board	1	80354316-002
28	pulse generating card	1	80354482-001
29	screw	4	311-530-062
30	smoothly planed board	1	80354134-001

MagneW3000	Electromagnetic Flowmeters	KIC/KID/KIX	1st Edit : 99. 9. 1 Rev.(1) : 01.9.1	PL2 – KID100 – 9501 40 of 53
------------	----------------------------	-------------	---	---------------------------------

Smart MagneW 3000 Electromagnetic Flowmeters

Converter Assembly (Integral Type)

KIX 50A



MagneW3000	Electromagnetic Flowmeters	KIC/KID/KIX	1st Edit : 99. 9. 1 Rev.(1) : 01.9.1	PL2 - KID100 - 9501 41 of 53
------------	----------------------------	-------------	---	---------------------------------

Converter Assembly

KIX 50A

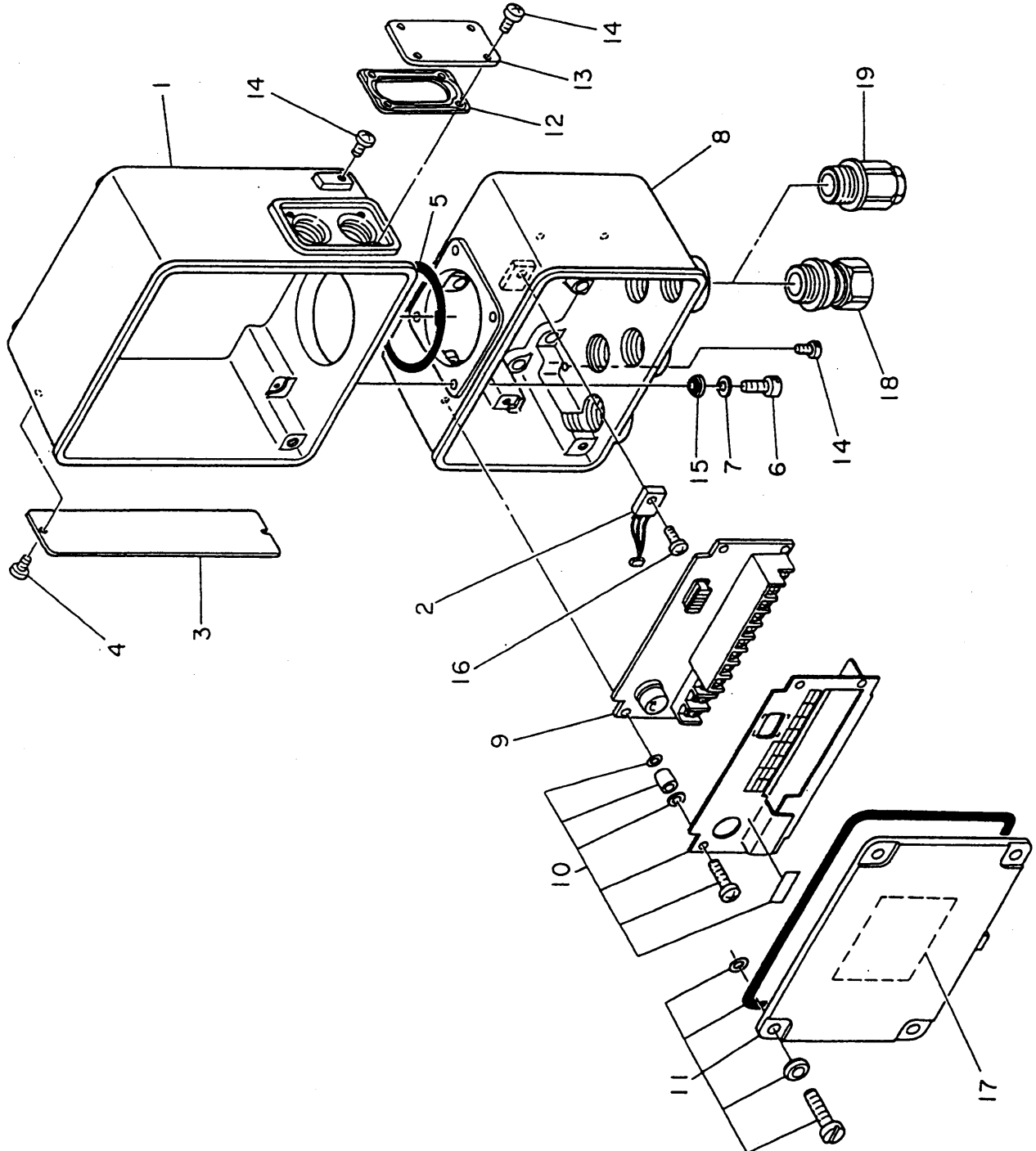
Key No.	Description	Quantity	Part No.
1	main case , G 1/2 connection	1	80354121-001
1	main case , 1/2 NPT connection	1	80354121-004
1	main case , CM 20 connection	1	80354121-007
1	main case , simple hole	1	80354121-010
2	digital operator panel	1	80354316-001
3	nameplate	1	80354133-001
4	main cover assembly	1	80354134-001
5	screw	4	311-230-060
6	plastic sculpture plate	1	80276826-001
7	power unit , 100 , 110 , 120 VAC	1	80357428-001
8	power transistor assembly	1	80354334-001
9	retaining ring	4	80235519-001
10	main PC board assembly	1	80354314-002
12	V/F PC board assembly , for pulse output-accepting mercury relay contact pulse output	1	80354315-001
12	V/F PC board assembly , for mercury relay contact pulse output	1	80354315-002
13	screw	4	311-530-062
14	terminal box (A) , (G 1/2 connection)	1	80354138-001
15	terminal box (A) PC board assembly , with arrester (100 , 110 , 120 VAC)	1	80354317-001
16	terminal box (A) smoothly planed board	1	80354326-001
17	terminal box (A) cover assembly	1	80354143-001
18	bolt	4	314-304-145
19	gasket , for remote type or integral with terminal box type	1	80354146-001
20	watertight gland	3	80356020-101
22	screw	1	397-103-103
23	smoothly planed board	1	80354134-001
24	label	1	80354325-001
25	protected cover	1	80354331-001
26	screw	1	311-240-060

MagneW3000	Electromagnetic Flowmeters	KIC/KID/KIX	1st Edit : 99. 9. 1	PL2 - KID100 - 9501
			Rev.(1) : 01.9.1	42 of 53

Smart MagneW 3000 Electromagnetic Flowmeters

Converter Assembly (Remote Type)

KIX 50B



MagneW3000	Electromagnetic Flowmeters	KIC/KID/KIX	1st Edit : 99. 9. 1	PL2 - KID100 - 9501
			Rev.(1) : 01.9.1	43 of 53

Converter Assembly

KIX 50B

Key No.	Description	Quantity	Part No.
1	main case , G 1/2 connection	1	80354121-001
2	power transistor assembly	1	80354334-001
3	nameplate	1	80354133-001
4	screw	4	311-230-060
5	" O " ring	1	80020935-807
6	bolt	4	314-304-145
7	washer	4	231-1073
8	terminal box (B) , G 1/2 connection	1	80354148-001
8	terminal box (B) , 1/2 NPT connection	1	80354148-004
8	terminal box (B) , CM 20 connection	1	80354148-007
9	terminal box (B) PC board assembly , with arrester (100 , 110 , 120 VAC)	1	80354318-001
10	terminal box (B) smoothly planed board	1	80354328-001
11	terminal box (B) cover assembly	1	80354153-001
12	gasket , for remote type or integral with terminal box type	1	80354146-001
13	blind plate	1	80354147-001
14	screw	1	311-240-060
15	seal washer	4	80352967-002
16	screw	1	397-103-103
17	label	1	80354325-001
18	watertight gland	1	80356020-101

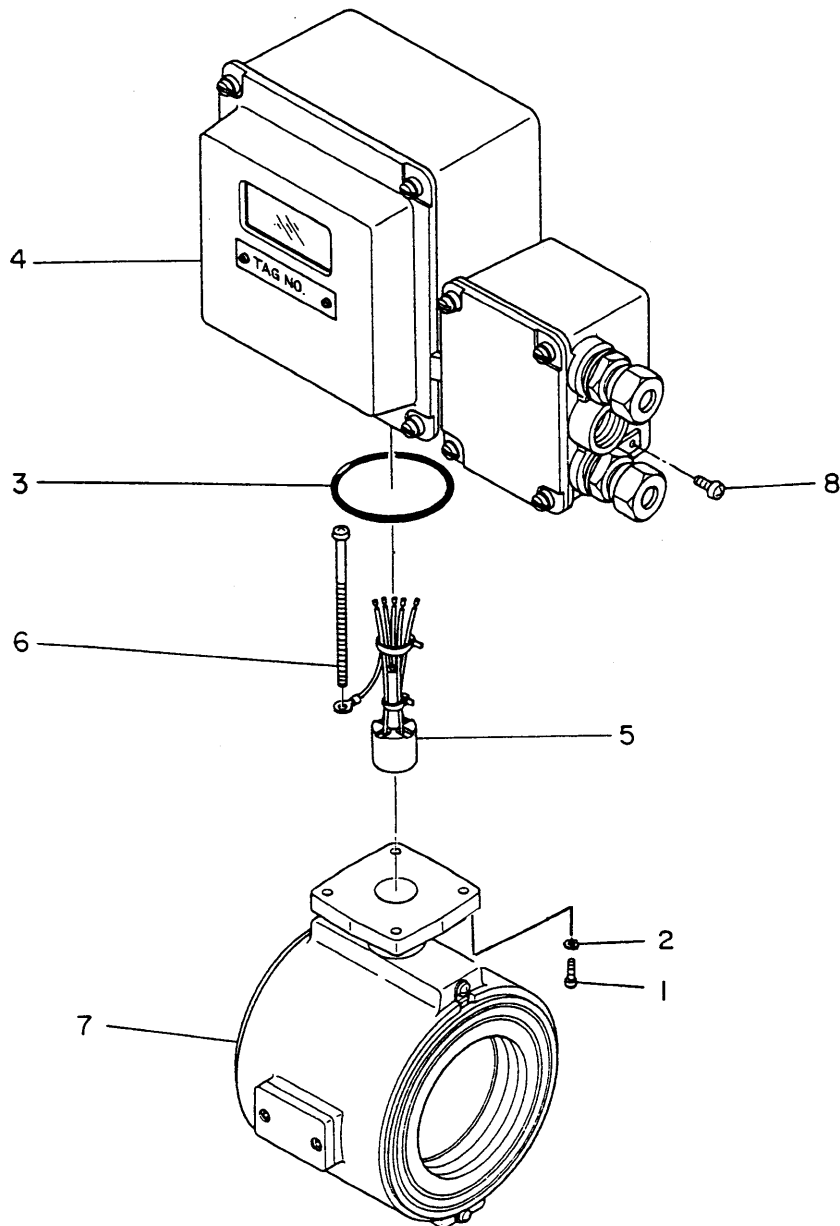
MagneW3000	Electromagnetic Flowmeters	KIC/KID/KIX	1st Edit : 99. 9. 1 Rev.(1) : 01.9.1	PL2 – KID100 – 9501 44 of 53
------------	----------------------------	-------------	---	---------------------------------

MagneW 3000 Electromagnetic Flowmeters

Detector Unit Assembly(Integral Type)

KIX 50A

KID 50B



MagneW3000	Electromagnetic Flowmeters	KIC/KID/KIX	1st Edit : 99. 9. 1 Rev.(1) : 01.9.1	PL2 - KID100 - 9501 45 of 53
------------	----------------------------	-------------	---	---------------------------------

Detector Unit Assembly

KIX 50A/KID 50B

Key No.	Description	Quantity	Part No.
1	bolt	4	314-204-140
2	washer	1	232-2080
3	" O " ring	1	80020935-807
4	smart converter assembly	1	80357427-001
5	plug assembly , for 80 mm to 200 mm diameter	1	80356073-001
6	screw , for 80 mm to 200 mm diameter	1	80068796-043
7	detector unit , diameter : 80 mm	1	80357402-001
7	detector unit , diameter : 100 mm	1	80357412-001
7	detector unit , diameter : 150 mm	1	80357416-001
7	detector unit , diameter : 200 mm	1	80357423-001
8	screw	1	311-240-060

MagneW3000	Electromagnetic Flowmeters	KIC/KID/KIX	1st Edit : 99. 9. 1 Rev.(1) : 01.9.1	PL2 – KID100 – 9501 46 of 53
------------	----------------------------	-------------	---	---------------------------------

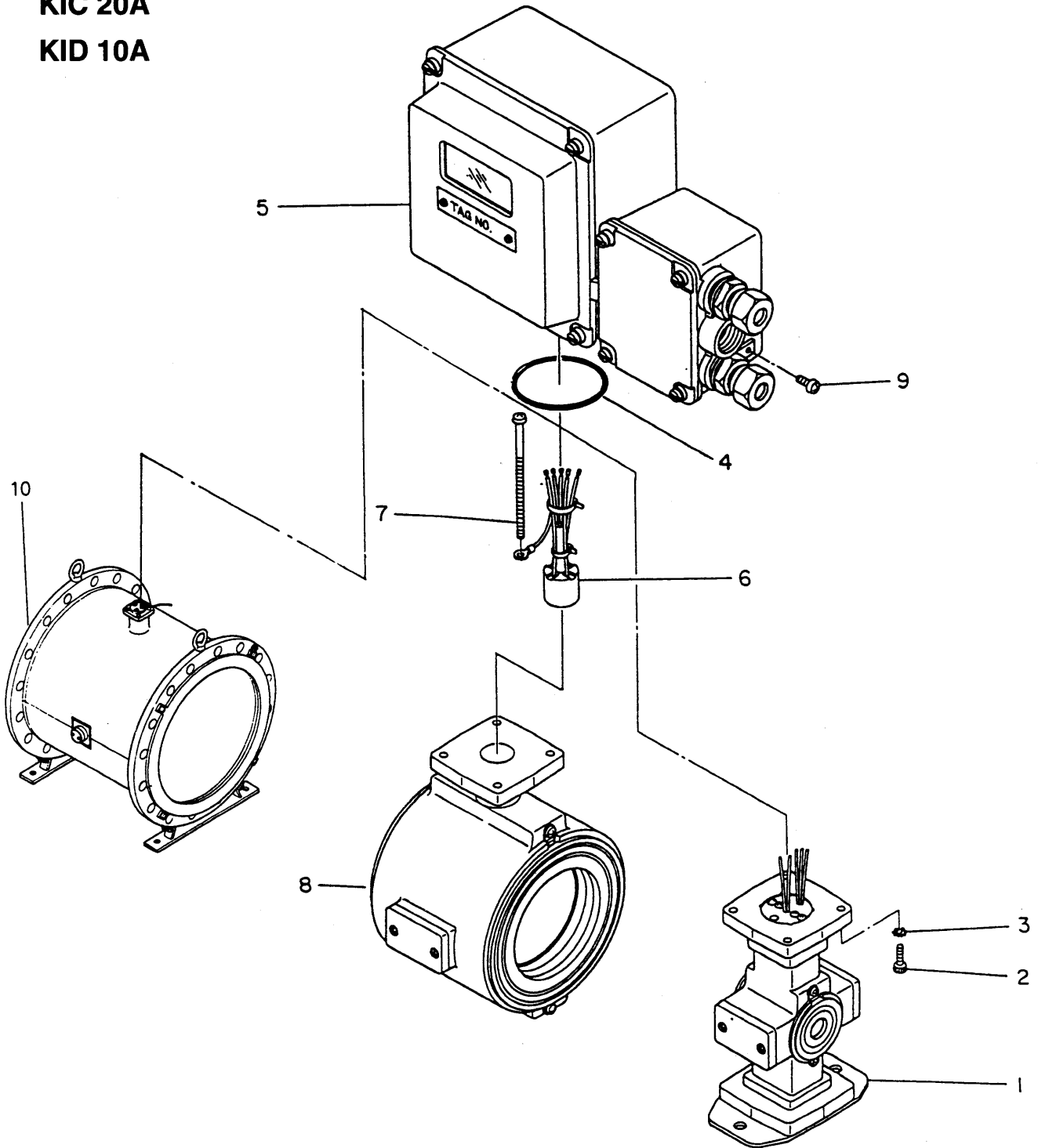
MagneW 3000 Electromagnetic Flowmeters

Detector Unit (Diameter : 2.5mm to 600mm)

KIX 20A

KIC 20A

KID 10A



MagneW3000	Electromagnetic Flowmeters	KIC/KID/KIX	1st Edit : 99. 9. 1	PL2 - KID100 - 9501
			Rev.(1) : 01.9.1	47 of 53

Detector Unit Assembly

KIX 20A, KIC 20A, KID10A

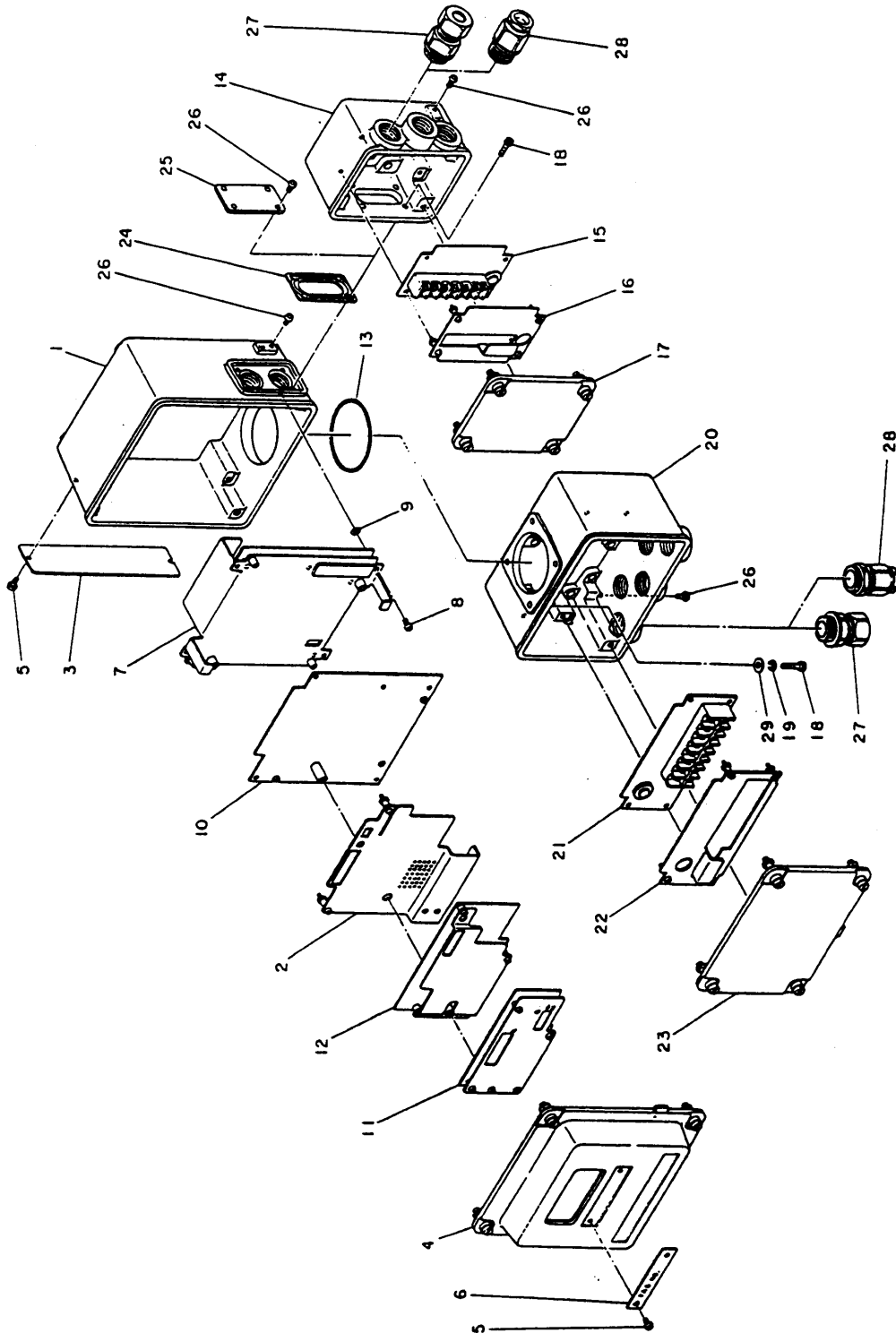
Key No.	Description	Quantity	Part No.
1	detector unit , diameter : 2.5 mm	1	80356225-001
1	detector unit , diameter : 5 mm	1	80356226-001
1	detector unit , diameter : 10 mm	1	80356227-001
1	detector unit , diameter : 15 mm	1	80356008-001
1	detector unit , diameter : 25 mm	1	80356009-001
2	bolt	4	314-204-160
3	washer	1	232-2080
4	" O " ring	1	80020935-807
5	converter assembly	1	80354245-001
5	smart converter assembly	1	80354313-001
6	plug assembly , for 40 mm to 200 mm diameter	1	80356073-001
7	screw , for 40 mm to 200 mm diameter	1	80068796-043
8	detector unit , diameter : 40 mm	1	80356010-001
8	detector unit , diameter : 50 mm	1	80356011-001
8	detector unit , diameter : 80 mm	1	80356012-001
8	detector unit , diameter : 100 mm	1	80356013-001
8	detector unit , diameter : 150 mm	1	80356014-001
8	detector unit , diameter : 200 mm	1	80356015-001
9	screw	1	311-240-060
10	detector unit , diameter : 250 mm	1	80356504-001
10	detector unit , diameter : 300 mm	1	80356505-001
10	detector unit , diameter : 350 mm	1	80356506-001
10	detector unit , diameter : 400 mm	1	80356507-001
10	detector unit , diameter : 500 mm	1	80356508-001
10	detector unit , diameter : 600 mm	1	80356509-001

MagneW3000	Electromagnetic Flowmeters	KIC/KID/KIX	1st Edit : 99. 9. 1 Rev.(1) : 01.9.1	PL2 – KID100 – 9501 48 of 53
------------	----------------------------	-------------	---	---------------------------------

MagneW 3000 Electromagnetic Flowmeters

Converter Assembly

KIC 20A / 20B



MagneW3000	Electromagnetic Flowmeters	KIC/KID/KIX	1st Edit : 99. 9. 1	PL2 – KID100 – 9501
			Rev.(1) : 01.9.1	49 of 53

Converter Assembly

KIC 20A / 20B

Key No.	Description	Quantity	Part No.
1	main case , G 1/2 connection	1	80354121-001
1	main case , 1/2 NPT connection	1	80354121-004
1	main case , CM 20 connection	1	80354121-007
1	main case , simple hole	1	80354121-010
2	smoothly planed board	1	80354130-001
3	nameplate	1	80354133-001
4	main cover assembly	1	80354134-001
5	screw	4	311-230-060
6	plastic sculpture plate	1	80276826-001
7	power unit , 100 , 110 , 120 VAC	1	80354246-001
7	power unit , 200 , 220 , 240 VAC	1	80354246-002
7	power unit , 24 VDC	1	80354123-003
8	screw	4	311-530-062
9	retaining ring	4	80235519-001
10	main PC board assembly , with analog output	1	80354176-001
10	main PC board assembly , without analog output	1	80354176-002
11	display PC board assembly , for flowrate indicator	1	80354128-001
12	V/F PC board assembly , for relay contact pulse output	1	80354126-001
12	V/F PC board assembly , for mercury relay contact pulse output	1	80354126-002
*13	" O " ring	1	80020935-807
**14	terminal box (A) (G 1/2 connection)	1	80354138-001
**14	terminal box (A) (1/2 NPT connection)	1	80354138-004
**14	terminal box (A) (CM 20 connection)	1	80354138-007
**15	terminal box (A) PC board assembly , without arrester	1	80354140-001
**15	terminal box (A) PC board assembly , with arrester (100 , 110 , 120 VAC)	1	80354140-101
**15	terminal box (A) PC board assembly , with arrester (200 , 220 , 240 VAC)	1	80354140-102
**15	terminal box (A) PC board assembly , with arrester (24 VDC)	1	80354140-103
**16	terminal box (A) smoothly planed board	1	80354141-001
**17	terminal box (A) cover assembly	1	80354143-001
18	bolt	4	314-304-145
*19	washer	4	HS231107-200
*20	terminal box (B) , G 1/2 connection	1	80354148-001
*20	terminal box (B) , 1/2 NPT connection	1	80354148-004
*20	terminal box (B) , CM 20 connection	1	80354148-007
*21	terminal box (B) , PC board assembly , without arrester	1	80354248-001

MagneW3000	Electromagnetic Flowmeters	KIC/KID/KIX	1st Edit : 99. 9. 1	PL2 – KID100 – 9501
			Rev.(1) : 01.9.1	50 of 53

Converter Assembly

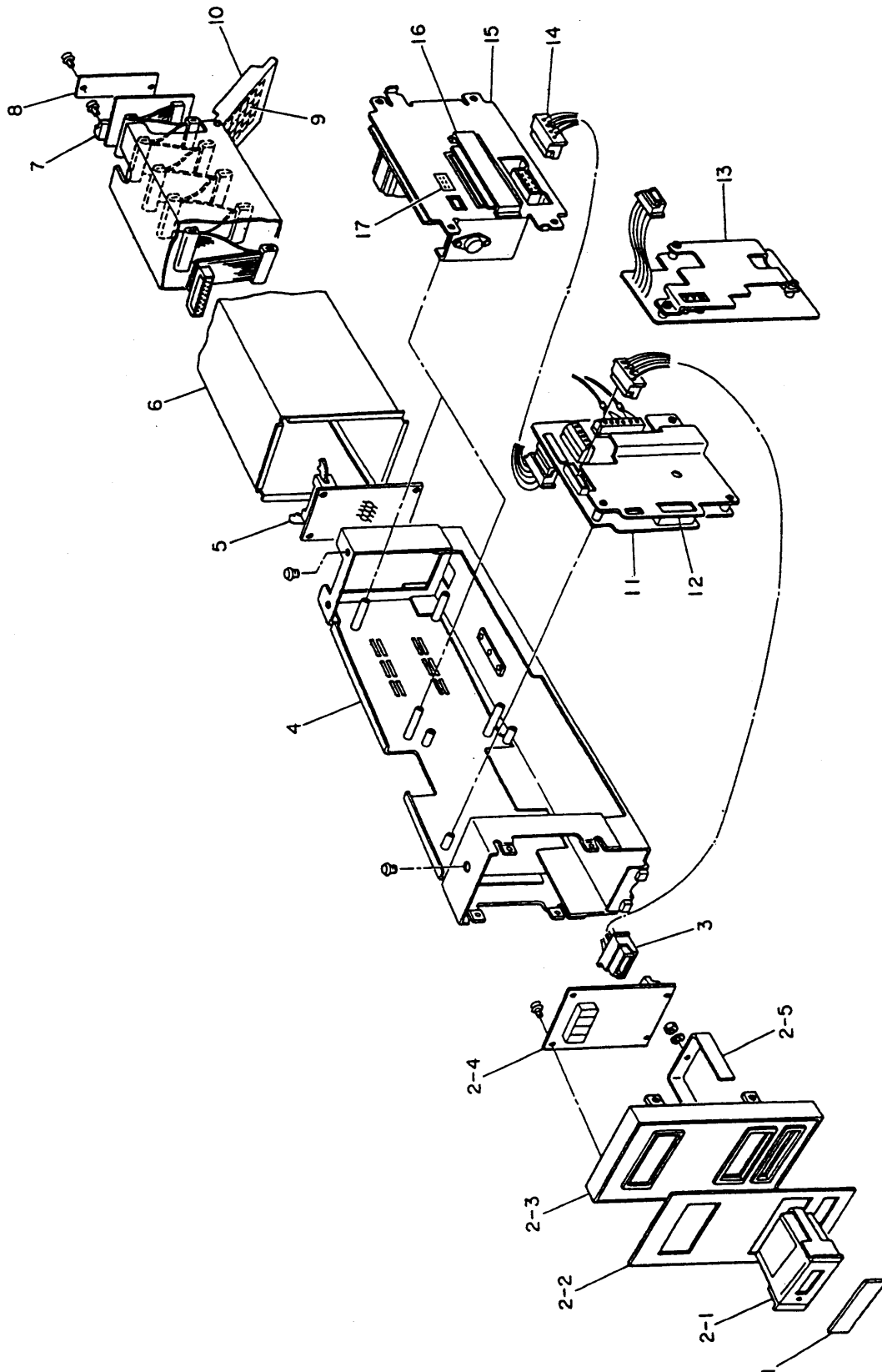
Key No.	Description	Quantity	Part No.
*21	terminal box (B) PC board assembly ,with arrester (100 , 110 , 120 VAC)	1	80354248-101
*21	terminal box (B) PC board assembly ,with arrester (200 , 220 , 240 VAC)	1	80354248-102
*21	terminal box (B) PC board assembly ,with arrester (24 VDC)	1	80354248-103
*22	terminal box (B) smoothly planed board	1	80354249-001
*23	terminal box (B) cover assembly	1	80354153-001
24	gasket , for remote type or integral with terminal box type	1	80354146-001
*25	blind plate	1	80354147-001
26	screw	1-6	311-240-060
27	watertight gland	KIC20A---3	80356020-101
		KIC20B---5	80356020-101
28	plastic watertight gland	KIC20A---3	80352997-001
		KIC20B---5	80352997-001
28-1	plastic plug	KIC20A---3	HS40006-000
		KIC20B---5	HS40006-000
*29	washer	4	80352967-002
Note :	* parts for remote model . ** parts for integral model .		

MagneW3000	Electromagnetic Flowmeters	KIC/KID/KIX	1st Edit : 99. 9. 1 Rev.(1) : 01.9.1	PL2 – KID100 – 9501 51 of 53
------------	----------------------------	-------------	---	---------------------------------

MagneW 3000 Electromagnetic Flowmeters

Converter Assembly (Panel-Mount Type)

KIC 33B



MagneW3000	Electromagnetic Flowmeters	KIC/KID/KIX	1st Edit : 99. 9. 1 Rev.(1) : 01.9.1	PL2 - KID100 - 9501 52 of 53
------------	----------------------------	-------------	---	---------------------------------

Converter Assembly

KIC 33B

Key No.	Description	Quantity	Part No.
1	tag number plate	1	82407684-001
2	front assembly	1 (X,O,P,Q,R)	80354188-001
2	front assembly	1 (S)	80354188-002
2-1	counter assembly	1	80354192-001
2-2	flush plate	1	80354190-001
2-3	front mask	1	80354189-001
2-4	DSP , PC board assembly	1 (posted "%")	80354166-001
2-5	bracket	1	80354194-001
3	cable assembly	1	80354195-001
4	chassis assembly	1	80354181-001
5	connector assembly	1	80354172-001
6	case assembly	1	80407943-001
7	terminal assembly	1 (without arrester)	80354169-001
7	terminal assembly	1 (with arrester for 100/110/120 V.AC)	80354169-101
7	terminal assembly	1 (with arrester for 200/220/240 V.AC)	80354169-102
7	terminal assembly	1 (with arrester for 24 V.DC)	80354169-103
8	terminal cover	1	80354207-001
9	label	1 (for case cover)	80354208-001
9	label	1	80354204-001
10	case cover	1	80407947-001
11	main PC board assembly	1 (without analogue)	80354247-002
11	main PC board assembly	1 (for analogue)	80354247-001
12	flush plate assembly	1	80354130-001
13	V to F converter assembly	1 (O,P,R,S)	80354179-001
13	V to F converter assembly	1 (Q)	80354179-002
14	cable assembly	1	80354198-001
15	power supply unit	1 (100/110/120 V.AC)	80354177-001
15	power supply unit	1 (200/220/240 V.AC)	80354177-002
15	power supply unit	1 (24 V.DC)	80354177-003
16	holder	1	80354199-001
17	label	1 (for post)	80354196-001

MagneW3000	Electromagnetic Flowmeters	KIC/KID/KIX	1st Edit : 99. 9. 1	PL2 – KID100 – 9501
			Rev.(1) : 01.9.1	53 of 53

