

DIMENSIONAL DRAWING

Measurements in mm

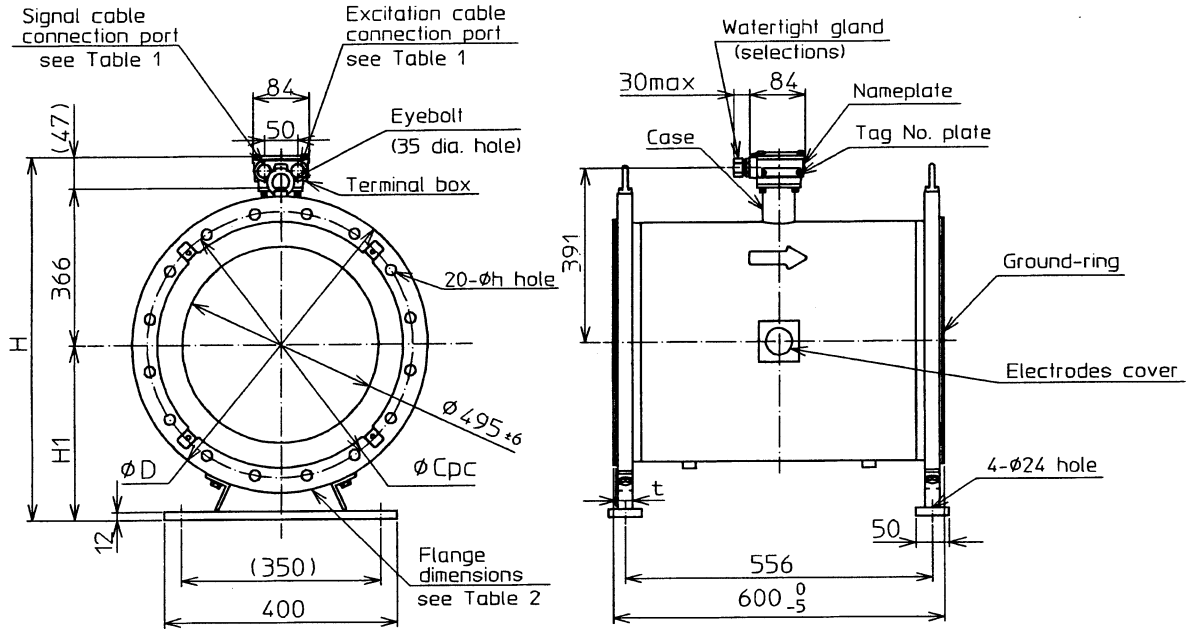


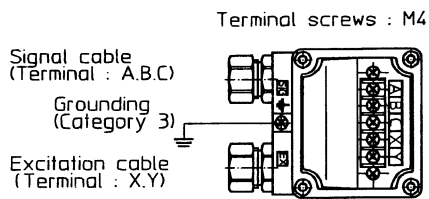
Table 1.

Model	Electrical conduit connection / Gland	
2	G1/2 internal threads	without watertight gland
3	G1/2 internal threads	with brass(Ni-plated) watertight gland
4	G1/2 internal threads	with plastic watertight gland
5	1/2NPT internal threads	without watertight gland
6	CM20 internal threads	without watertight gland
7	Pg13.5 internal threads	without watertight gland

Table 2.

Model No.	Flange rating	H	H1	øD	t	øCpc	øh	(bolt)	Mass (kg)
J1	JIS 10K	796	383	675	30	620	27	M24	202
J2	JIS 20K	825	412	730	50	660	33	M30	280
A1	ANSI 150	809	396	700	43	635	32	U1-1/8"	249
D1	DIN PN10	793	380	670	28	620	26	M24	195
D2	DIN PN16	817	404	715	34	650	33	M30	240
D3	DIN PN25	825	412	730	44	660	36	M33	265
P1	JP1 150	809	396	700	43	635	32	U1-1/8"	249

CABLE CONNECTION

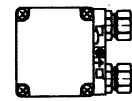


Terminal connection Table

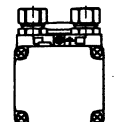
Symbol	Description
X	Excitation current input
Y	Flowrate output signal
A	Case ground
B	Case ground
C	Case ground

Wiring direction

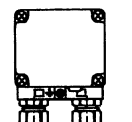
(top view)



Model No. "B"



Model No. "C"



Model No. "D"

STANDARD SPECIFICATIONS

- Case Structure : JIS C 0920 Watertight
NEMA ICS6-110 · TYPE 4X
IEC Publ 529 IP67
- Connection cable : Applicable O. Dia. 10 to 12mm
Apply our standard model "MGA-12W" or equivalent.
- Grounding : Category 3 (Grounding resistance : 100Ω max.)
- Mounting angle : Horizontally-mounted electrode
- Mass(Weight) : See Table 2

Magnew3000 PLUS Smart Electromagnetic Flowmeter
Watertight model Remote-Flange N.S. 500mm Detector

MODEL NO.
MGG18F-500

YAMATAKE
TOKYO JAPAN

DATE Dec.18.1996
REF. 80380271

DRAWING NO.
ED-566805-5

A

B

C

D

E