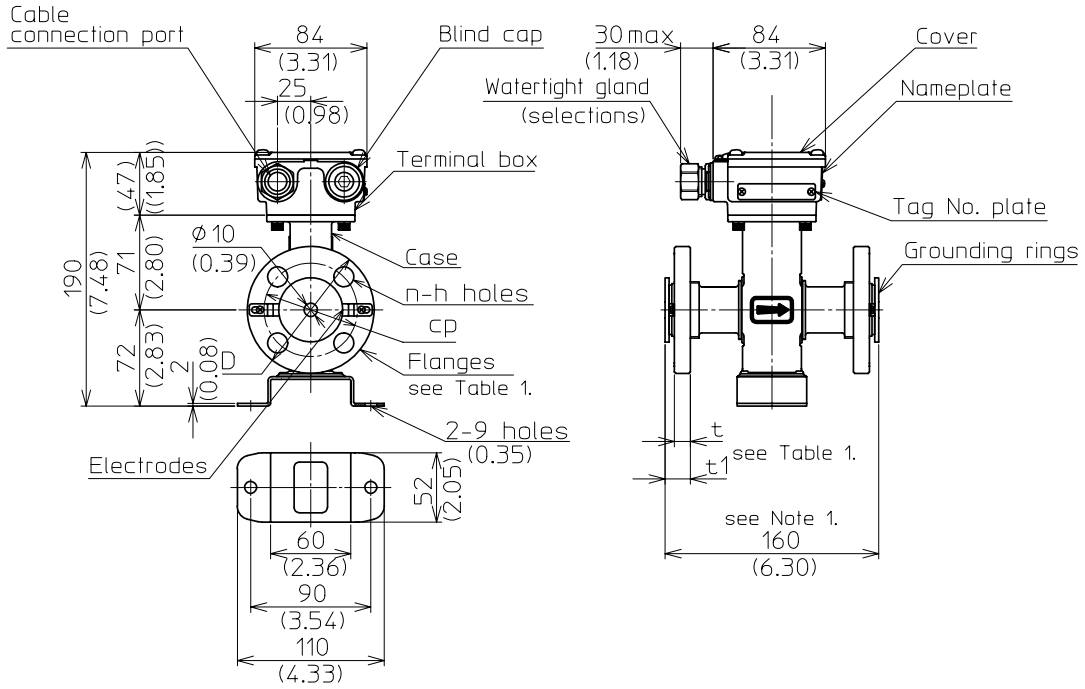


DIMENSIONAL DRAWING

Measurements in mm (inch)

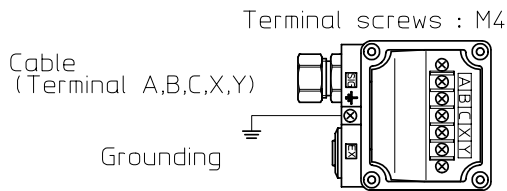


Note 1.
This measurement is for the SUS316 grounding rings without gaskets.
For other grounding rings, gaskets are included. (Gasket thickness : 3mm(0.12))
For gasket for plastic piping, included grounding rings.

Table 1.

Model No.	J1	J2	J3	J4	J5	A1	A2	D1 D2	D3 D4	P1	P2	
Flange rating	JIS					ANSI		DIN		JPI		
	10K	20K	30K	10K 10mm Flange	20K 10mm Flange	150	300	PN 10/16	PN 25/40	150	300	
Dimension	D	95 (3.74)	95 (3.74)	115 (4.53)	90 (3.54)	90 (3.54)	89 (3.50)	95 (3.74)	95 (3.74)	95 (3.74)	89 (3.50)	95 (3.74)
	t	11 (0.43)	15 (0.59)	19 (0.75)	12 (0.47)	14 (0.55)	10 (0.39)	13 (0.51)	14 (0.55)	16 (0.63)	10 (0.39)	13 (0.51)
	t1	18.5(0.73)	22.5(0.89)	26.5(1.04)	19.5(0.77)	21.5(0.85)	17.5(0.69)	20.5(0.81)	21.5(0.85)	23.5(0.93)	17.5(0.69)	20.5(0.81)
	Cp	70 (2.76)	70 (2.76)	80 (3.15)	65 (2.56)	65 (2.56)	60.5(2.38)	66.5(2.62)	65 (2.56)	65 (2.56)	60.3(2.37)	66.7(2.63)
	n	4 (0.16)	4 (0.16)	4 (0.16)	4 (0.16)	4 (0.16)	4 (0.16)	4 (0.16)	4 (0.16)	4 (0.16)	4 (0.16)	4 (0.16)
	h	15 (0.59)	15 (0.59)	19 (0.75)	15 (0.59)	15 (0.59)	16 (0.63)	16 (0.63)	14 (0.55)	14 (0.55)	16 (0.63)	16 (0.63)
	Bolt	M12	M12	M16	M12	M12	1/2	1/2	M12	M12	UNC1/2	UNC1/2
Mass kg(lb)	6.8 (14.99)	7 (15.43)	8 (17.64)	6.7 (14.77)	6.8 (14.99)	6.4 (14.11)	6.9 (15.21)	6.9 (15.21)	7.1 (15.65)	6.4 (14.11)	6.9 (15.21)	

CABLE CONNECTION



Terminal connection Table

Symbol	Description
X	Excitation current input
Y	Excitation current input
A	Flowrate output signal
B	Flowrate output signal
C	Case ground

STANDARD SPECIFICATIONS

- Case Structure : JIS C 0920 Watertight
NEMA4 ICS6-110 · TYPE 4X
IEC Publ 529 IP67
- Connection cable : Applicable O. Dia. 10 to 12mm (0.39 to 0.47)
Apply our standard model "SMC11" or equivalent.
- Grounding : Grounding resistance : 100Ω max.
- Mounting angle : Horizontally-mounted electrode

MagneW Two-wire PLUS Smart Electromagnetic Flowmeter
Watertight model Remote-Flange N.S 10mm Detector

MODEL NO.
MTG18B-010

YAMATAKE

DATE 04-2-27
REF. 80383000

DRAWING NO.
ED-568221-3

REV 2 ① 04-9-9 稲垣/川井