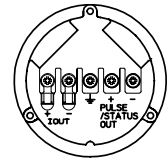
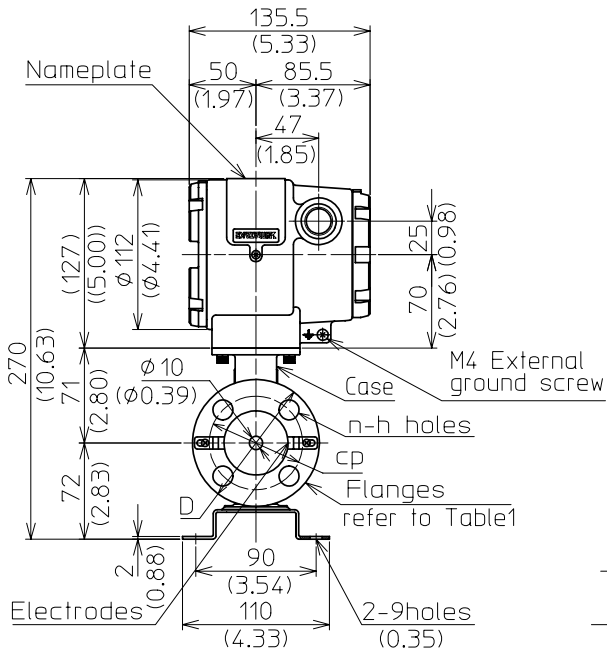


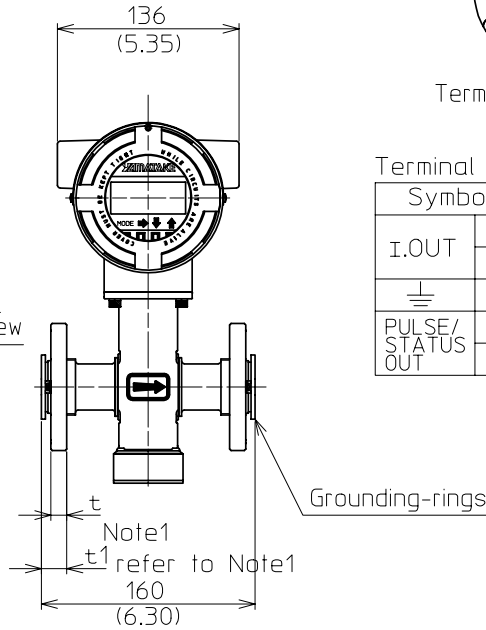
DIMENSIONAL DRAWING Measurements in mm (inch)



Terminal connection

Terminal connection Table

Symbol	Description
I. OUT	+ - Output signal
	Case ground
PULSE/STATUS OUT	+ - Pulse output or Contact output



Note 1.

This measurement is for the SUS316 grounding ring without gaskets.
For other grounding rings, gaskets are included. (gasket thickness : 3mm(0.12))

Table 1

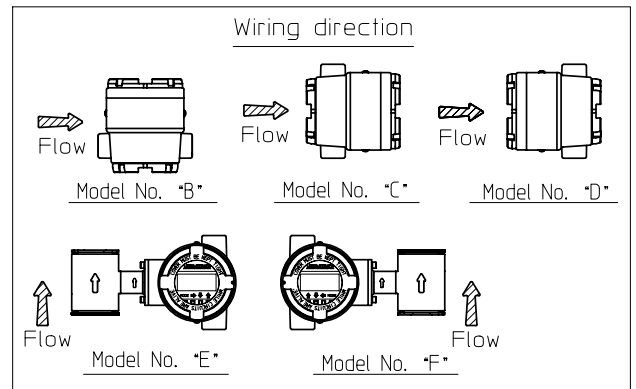
Model No.	J1	J2	J3	J4	J5	A1	A2	D1 D2	D3 D4	P1	P2
Flange rating	JIS					ANSI		DIN		JPI	
	10K	20K	30K	10K 10mm Flange	20K 10mm Flange	150	300	PN 10/16	PN 25/40	150	300
Dimension	D	95 (3.74)	95 (3.74)	115 (4.53)	90 (3.54)	90 (3.54)	89 (3.50)	95 (3.74)	95 (3.74)	89 (3.50)	95 (3.74)
	t	11 (0.43)	15 (0.59)	19 (0.75)	12 (0.47)	14 (0.55)	10 (0.39)	13 (0.51)	14 (0.55)	16 (0.63)	10 (0.39)
	t1	18.5(0.73)	22.5(0.89)	26.5(1.04)	19.5(0.77)	21.5(0.85)	17.5(0.69)	20.5(0.81)	21.5(0.85)	23.5(0.93)	17.5(0.69)
	Cp	70 (2.76)	70 (2.76)	80 (3.15)	65 (2.56)	65 (2.56)	60.5(2.38)	66.5(2.62)	65 (2.56)	65 (2.56)	60.3(2.37)
	n	4 (0.16)	4 (0.16)	4 (0.16)	4 (0.16)	4 (0.16)	4 (0.16)	4 (0.16)	4 (0.16)	4 (0.16)	4 (0.16)
	h	15 (0.59)	15 (0.59)	19 (0.75)	15 (0.59)	15 (0.59)	16 (0.63)	16 (0.63)	14 (0.55)	14 (0.55)	16 (0.63)
(bolt)	M12	M12	M16	M12	M12	1/2	1/2	M12	M12	UNC1/2	UNC1/2
Mass kg(lb)	6.8 (14.99)	7 (15.43)	8 (17.64)	6.7 (14.77)	6.8 (14.99)	6.4 (14.11)	6.9 (15.21)	6.9 (15.21)	7.1 (15.65)	6.4 (14.11)	6.9 (15.21)

STANDARD SPECIFICATION

Material

- Converter case : Aluminium alloy
- Detector body : Stainless steel
- Lining : PFA
- Electrodes and grounding ring : refer to SPECIFICATION LIST

- Case Structure : NEMA4 ICS6-110 ·TYPE 4X IEC Publ529 IP67
- Mounting angle : Horizontally-mounted electrode
- Grounding : Grounding resistance 100Ωmax
- Power supply : DC24V
- Finish color : Converter case : Light beige(Munsell 4Y7.2/1.3) Converter cover : Dark beige(Munsell 10YR4.7/0.5)



MagneW Two-wire PLUS Electromagnetic Flowmeter Watertight model Integral-Flange N.S.10mm	MODEL NO. MTG18A-010
YAMATAKE	DRAWING NO. ED-568201-3
DATE May.21.2004 REF. 80382901	

REV	2	
REV	3	稀野/川井