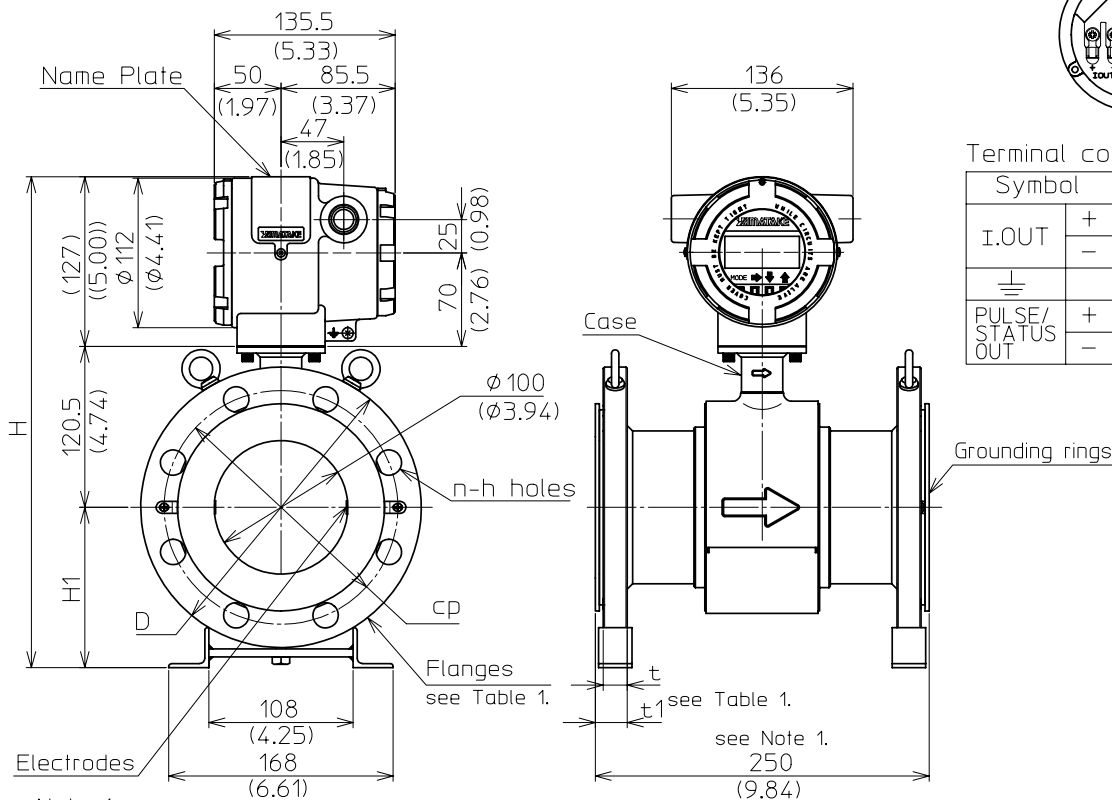


DIMENSIONAL DRAWING Measurements in mm (inch)



Terminal connection Table

Symbol	Description
I.OUT +	Output signal
I.OUT -	
\perp	Case ground
PULSE/STATUS OUT +	Pulse output or Contact output (selectable)
PULSE/STATUS OUT -	

Note 1.

This measurement is for the SUS316 grounding rings without gaskets. For other grounding rings, gaskets are included. (gasket thickness : 3mm(0.12))

Table 1.

Model No.	J1	J2	J3	A1	A2	D1 D2	D3 D4	P1	P2	
	JIS			ANSI		DIN		JPI		
Flange rating	10K	20K	30K	150	300	PN 10/16	PN 25/40	150	300	
Dimension	H	367.5(14.47)	376.5(14.82)	384.5(15.14)	378.5(14.90)	392.5(15.45)	373.5(14.70)	381.5(15.02)	378.5(14.90)	392.5(15.45)
	H1	120 (4.72)	129 (5.08)	137 (5.39)	131 (5.16)	145 (5.71)	126 (4.96)	134 (5.28)	131 (5.16)	145 (5.71)
	D	210 (8.27)	225 (8.86)	240 (9.45)	229 (9.02)	254 (10.00)	220 (8.66)	235 (9.25)	229 (9.02)	254 (10.00)
	t	16 (0.63)	22 (0.87)	30 (1.18)	22.4 (0.88)	30.4 (1.20)	17 (0.67)	21 (0.83)	22.4 (0.88)	30.4 (1.20)
	t1	22 (0.87)	28 (1.10)	36 (1.42)	30 (1.18)	38 (1.50)	23 (0.91)	27 (1.06)	30 (1.18)	38 (1.50)
	Cp	175 (6.89)	185 (7.28)	195 (7.68)	190.5 (7.50)	200 (7.87)	180 (7.09)	190 (7.48)	190.5 (7.50)	200 (7.87)
	n	8 (0.31)	8 (0.31)	8 (0.31)	8 (0.31)	8 (0.31)	8 (0.31)	8 (0.31)	8 (0.31)	8 (0.31)
	h	19 (0.75)	23 (0.91)	25 (0.98)	20 (0.79)	23 (0.91)	18 (0.71)	22 (0.87)	20 (0.79)	23 (0.91)
	bolt	M16	M20	M22	5/8	3/4	M16	M20	UNC5/8	UNC3/4
Mass kg(lb)	20.2(44.53)	23.7(52.25)	28.6(63.05)	25.1(55.34)	34.2(75.40)	19.6(43.21)	23.4(51.59)	25.1(55.34)	34.2(75.40)	

STANDARD SPECIFICATION

Material

- Converter case : Aluminium alloy
- Detector body : Stainless steel
- Lining : PFA
- Electrodes and grounding ring : refer to SPECIFICATION LIST

Case Structure

- : NEMA4 ICS6-110 · TYPE 4X
- : IEC Publ529 IP67

Mounting angle

- : Horizontaly-mounted electrodes

Grounding

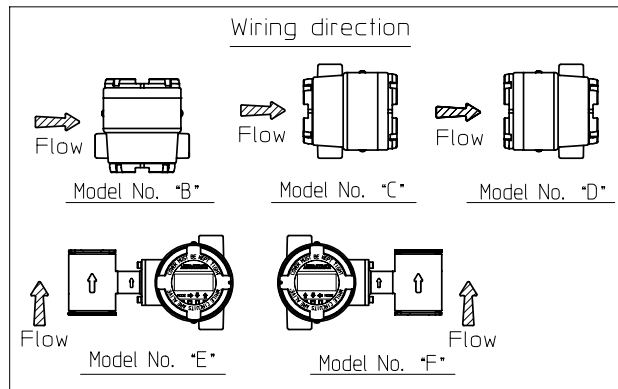
- : Grounding resistance 100Ωmax

Power supply

- : DC24V

Finish color

- Converter case : Light beige(Munsell 4Y7.2/1.3)
- Converter cover : Dark beige(Munsell 10YR4.7/0.5)



3	水島/川井
4	穂垣/川井
1	04・5・31
2	04・9・9
R	
E	
V	

MagneW Two-wire PLUS Electromagnetic Flowmeter Watertight model Integral-Flange N.S.100mm		MODEL NO. MTG18A-100
		DATE Apr.26.2004
		REF. 80383000
		DRAWING NO. ED-568202-6