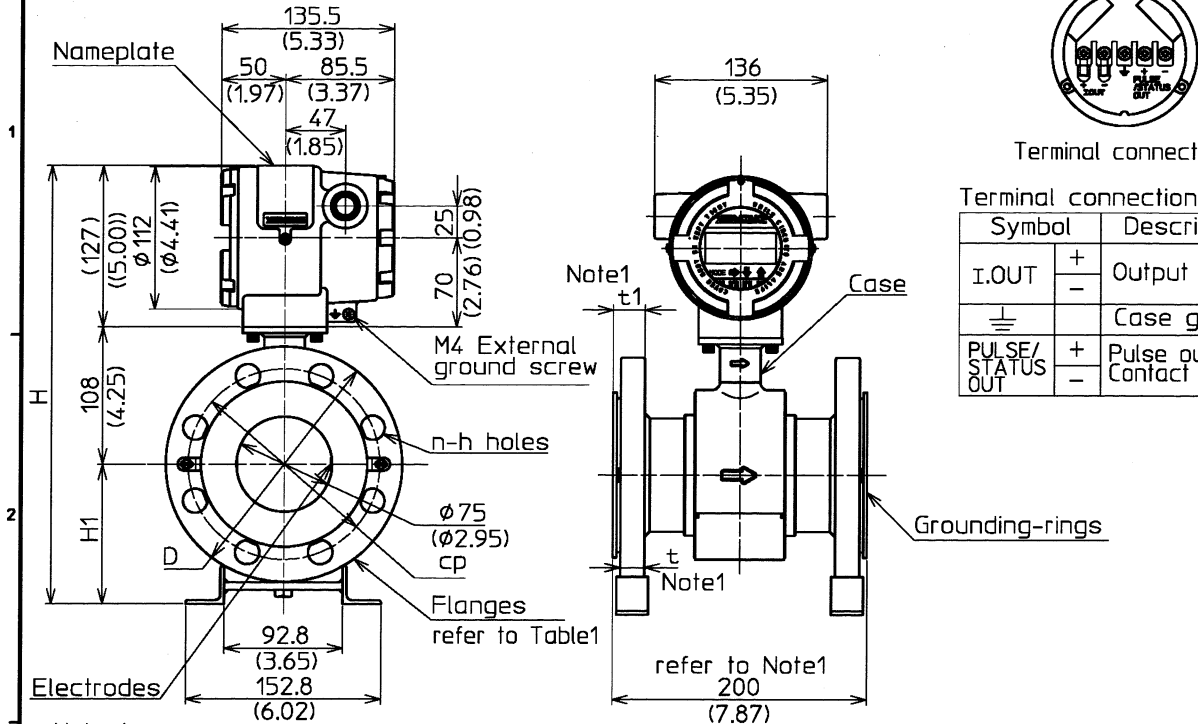


**DIMENSIONAL DRAWING** Measurements in mm (inch)



Terminal connection

Terminal connection Table

Symbol	Description
I.OUT	+ Output signal
	- Case ground
PULSE/STATUS OUT	+ Pulse output or Contact output
	-

Note 1.  
This measurement is for the SUS316 grounding ring without gaskets.  
For other grounding rings, gaskets are included. (gasket thickness : 3mm(0.12))

Table 1

Model No.	J1	J2	J3	A1	A2	D1 D2	D3 D4	P1	P2	
Flange rating	JIS			ANSI		DIN		JPI		
	10K	20K	30K	150	300	PN 10/16	PN 25/40	150	300	
Dimension	H	345 (13.58)	354 (13.94)	359 (14.13)	346 (13.62)	359 (14.13)	354 (13.94)	348 (13.70)	359 (14.13)	
	H1	110 (4.33)	119 (4.69)	124 (4.88)	113 (4.45)	124 (4.88)	119 (4.69)	119 (4.69)	124 (4.88)	
	D	185 (7.28)	200 (7.87)	210 (8.27)	191 (7.52)	210 (8.27)	200 (7.87)	200 (7.87)	210 (8.27)	
	t	18 (0.71)	22 (0.87)	26 (1.10)	24.5 (0.96)	29 (1.14)	20 (0.79)	24 (0.94)	24.5 (0.96)	29 (1.14)
	t1	24 (0.94)	28 (1.10)	32 (1.34)	30.5 (1.20)	35 (1.38)	26 (1.02)	30 (1.18)	30.5 (1.20)	35 (1.38)
	Cp	150 (5.91)	160 (6.30)	170 (6.69)	152.4 (6.00)	168.3 (6.63)	160 (6.30)	160 (6.30)	152.4 (6.00)	168.3 (6.63)
	n	8 (0.31)	8 (0.31)	8 (0.31)	4 (0.16)	8 (0.31)	8 (0.31)	8 (0.31)	4 (0.16)	8 (0.31)
	h	19 (0.79)	23 (0.91)	23 (0.91)	19 (0.79)	22 (0.91)	18 (0.71)	18 (0.71)	19 (0.79)	22 (0.91)
(bolt)	M16	M20	M20	5/8	3/4	M16	M16	UNC5/8	UNC3/4	
Mass kg(lb)	14.4 (31.75)	16.7 (36.82)	20.4 (44.97)	17.3 (38.14)	21.3 (46.96)	14.4 (31.75)	16.5 (36.38)	17.3 (38.14)	21.3 (46.96)	

**STANDARD SPECIFICATION**

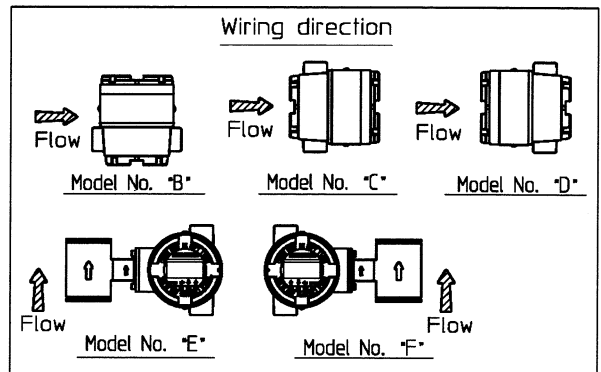
Material

- Converter case : Aluminium alloy
- Detector body : Stainless steel
- Lining : PFA
- Electrodes and grounding ring : refer to SPECIFICATION LIST

- Case Structure : NEMA4 ICS6-110 TYPE 4X IEC Pub1529 IP67
- Mounting angle : Horizontally-mounted electrode
- Grounding : Grounding resistance 100Ωmax
- Power supply : DC24V

Finish color

- Converter case : Light beige(Munsell 4Y7.2/1.3)
- Converter cover : Dark beige(Munsell 10YR4.7/0.5)



REVISION	3	4
DATE	04.9.9	10.12.1
BY	穂垣/川井	菊江/福嶋

MagneW Two-wire PLUS Electromagnetic Flowmeter Watertight model Integral-Flange N.S.80mm	MODEL NO. MTG18A-080
<b>Yamatake Corporation</b>	DRAWING NO. ED-568202-5
DATE MAY.31.2004 REF. 80382902	

A B C D E