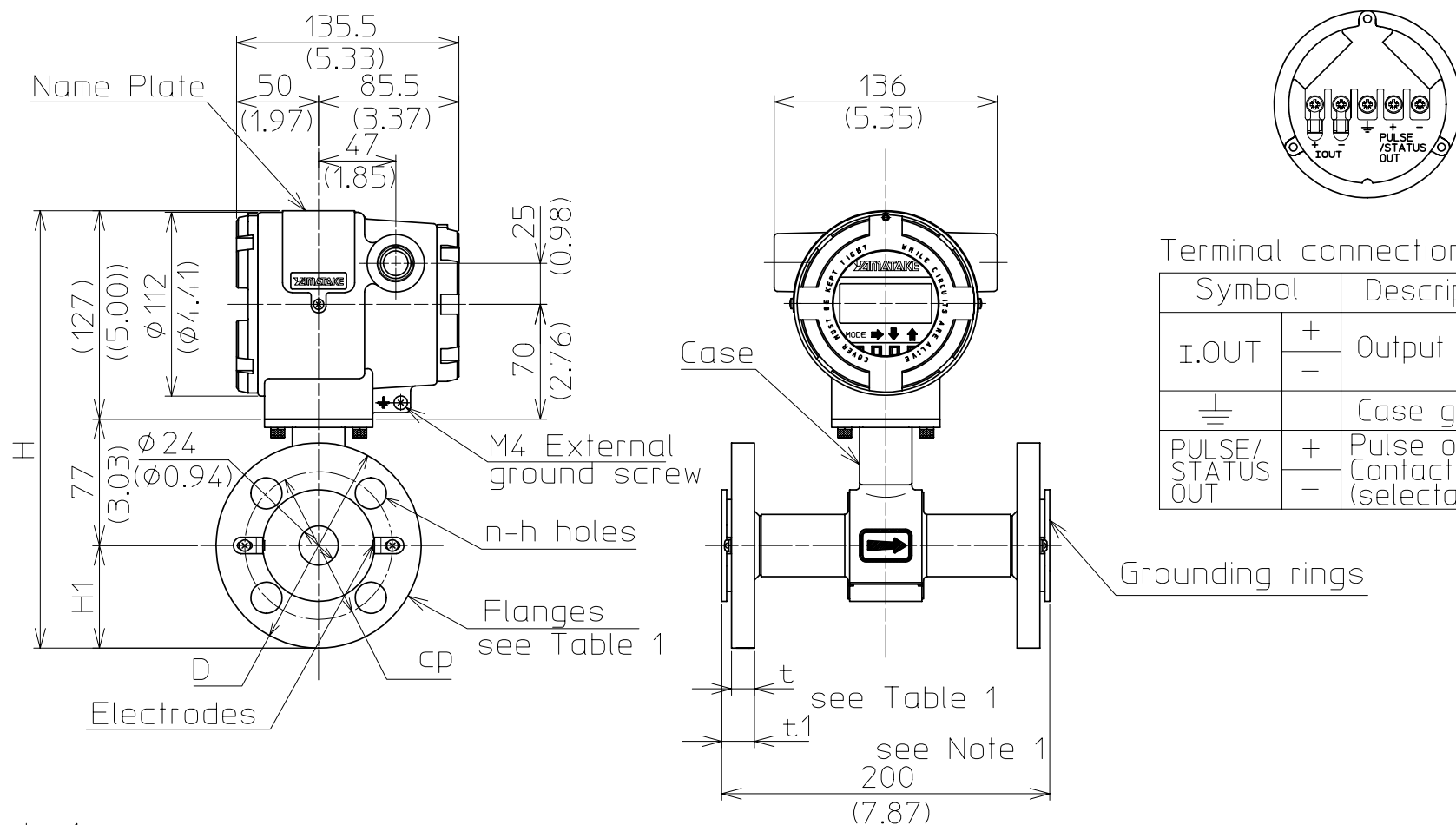


DIMENSIONAL DRAWING Measurements in mm (inch)



Terminal connection Table

Symbol	Description
I. OUT + -	Output signal
⊥	Case ground
PULSE/STATUS OUT + -	Pulse output or Contact output (selectable)

Note 1.

This measurement is for the SUS316 grounding rings without gaskets.
For other grounding rings, gaskets are included. (gasket thickness : 3mm(0.12))

Table 1.

Model No.	J1	J2	J3	A1	A2	D1 D2	D3 D4	P1	P2	
Flange rating	JIS			ANSI		DIN		JPI		
	10K	20K	30K	150	300	PN 10/16	PN 25/40	150	300	
Dimension	H	267 (10.51)	267 (10.51)	269 (10.59)	258 (10.16)	266 (10.47)	262 (10.31)	262 (10.31)	258 (10.16)	266 (10.47)
	H1	63 (2.48)	63 (2.48)	65 (2.56)	54 (2.13)	62 (2.44)	58 (2.28)	58 (2.28)	54 (2.13)	62 (2.44)
	D	125 (4.92)	125 (4.92)	130 (5.12)	108 (4.25)	124 (4.88)	115 (4.53)	115 (4.53)	108 (4.25)	124 (4.88)
	t	13 (0.51)	15 (0.59)	19 (0.75)	12.9 (0.51)	15.9 (0.63)	16 (0.63)	18 (0.71)	12.9 (0.51)	15.9 (0.63)
	t1	19 (0.75)	21 (0.83)	25 (0.98)	20.5 (0.81)	23.5 (0.93)	22 (0.87)	24 (0.94)	20.5 (0.81)	23.5 (0.93)
	Cp	90 (3.54)	90 (3.54)	95 (3.74)	79.2 (3.12)	88.9 (3.50)	85 (3.35)	85 (3.35)	79.4 (3.13)	88.9 (3.50)
	n	4 (0.16)	4 (0.16)	4 (0.16)	4 (0.16)	4 (0.16)	4 (0.16)	4 (0.16)	4 (0.16)	4 (0.16)
	h	19 (0.75)	19 (0.75)	19 (0.75)	16 (0.63)	20 (0.79)	14 (0.55)	14 (0.55)	16 (0.63)	20 (0.79)
bolt	M16	M16	M16	1/2	5/8	M12	M12	UNC1/2	UNC5/8	
Mass kg(℔b)	9.2(20.28)	9.5(20.94)	10.3(22.71)	8.4 (18.52)	9.5(20.94)	9.1(20.06)	9.4(20.72)	8.4 (18.52)	9.5(20.94)	

STANDARD SPECIFICATION

Material

- Converter case : Aluminium alloy
- Detector body : Stainless steel
- Lining : PFA
- Electrodes and grounding ring : refer to SPECIFICATION LIST

Case Structure : NEMA4 ICS6-110 · TYPE 4X
IEC Publ529 IP67

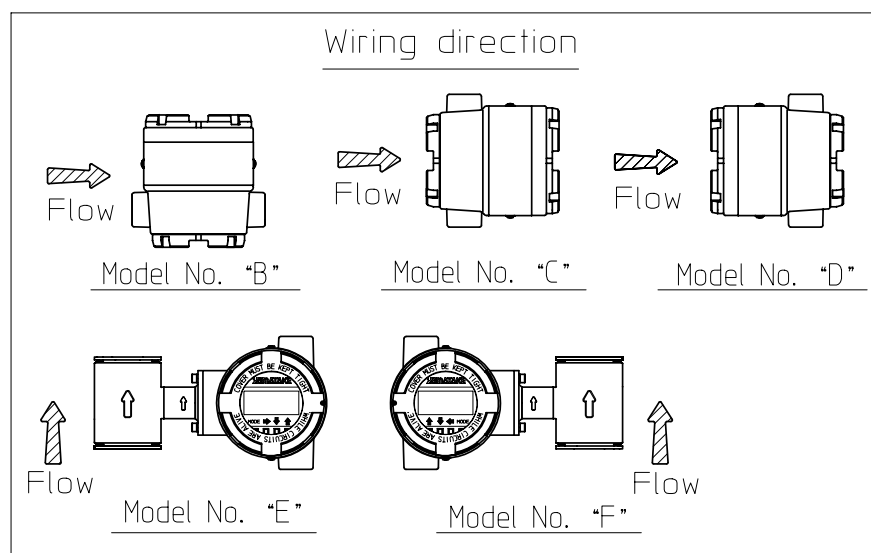
Mounting angle : Horizontally-mounted electrodes

Grounding : Grounding resistance 100Ωmax

Power supply : DC24V

Finish color

- Converter case : Light beige(Munsell 4Y7.2/1.3)
- Converter cover : Dark beige(Munsell 10YR4.7/0.5)



REV	①	②	③	④
	04.5.31	04.9.9	水島/川井	稲垣/川井

MagneW Two-wire PLUS Electromagnetic Flowmeter
Watertight model Integral-Flange N.S.25mm

MODEL NO.
MTG18A-025



DATE Aug.21.2003
REF. 80382902

DRAWING NO.
ED-568202-1