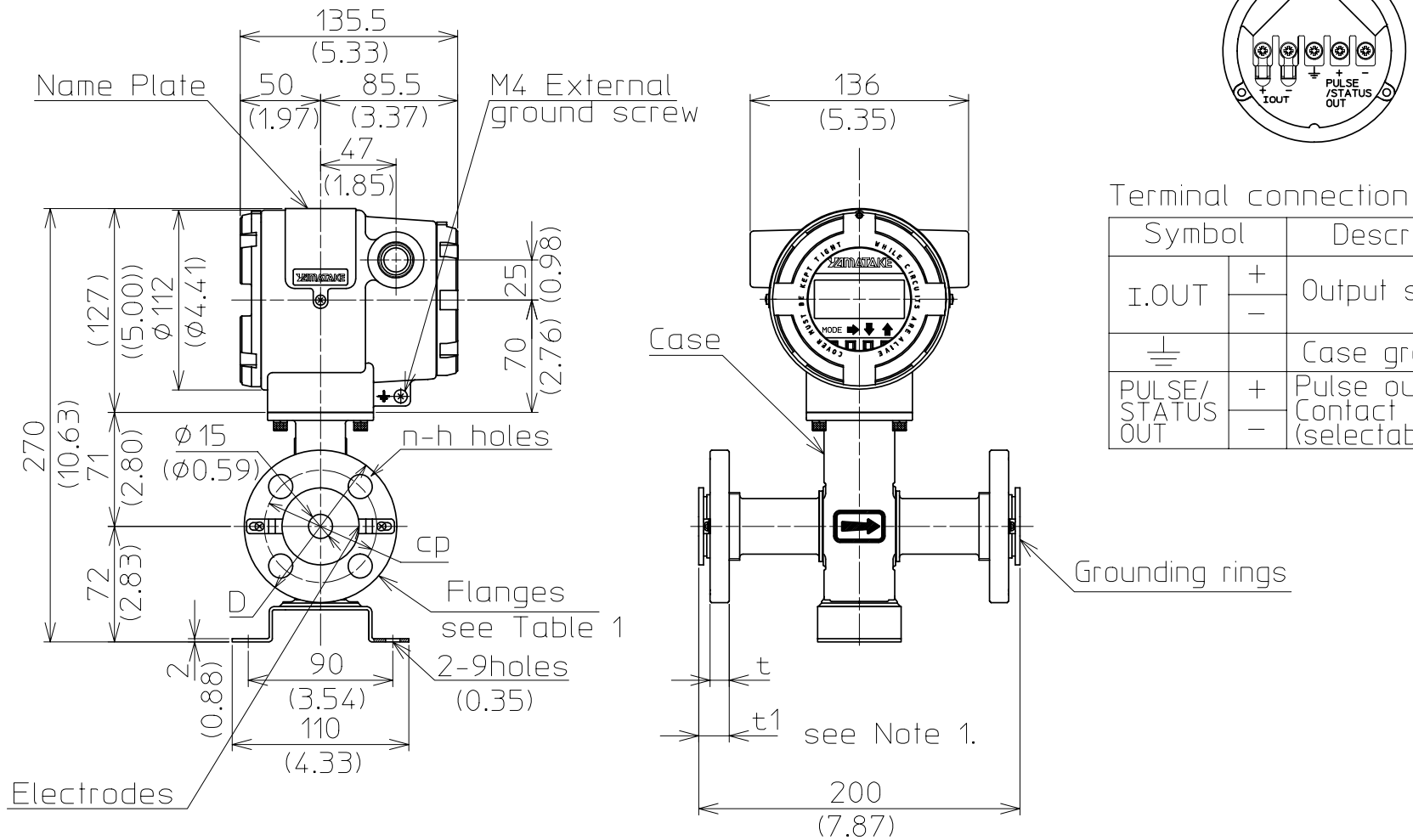


DIMENSIONAL DRAWING Measurements in mm (inch)



Terminal connection Table

Symbol	Description
I.OUT + -	Output signal
\perp	Case ground
PULSE/STATUS OUT + -	Pulse output or Contact output (selectable)

Note 1.

This measurement is for the SUS316 grounding rings without gaskets. For other grounding rings, gaskets are included. (gasket thickness : 3mm(0.12))

Table 1.

Model No.	J1	J2	J3	A1	A2	D1 D2	D3 D4	P1	P2	
Flange rating	JIS			ANSI		DIN		JPI		
	10K	20K	30K	150	300	PN 10/16	PN 25/40	150	300	
Dimension	D	95 (3.74)	95 (3.74)	115 (4.53)	89 (3.50)	95 (3.74)	95 (3.74)	89 (3.50)	95 (3.74)	
	t	11 (0.43)	15 (0.59)	19 (0.75)	10 (0.39)	13 (0.51)	14 (0.55)	16 (0.63)	10 (0.39)	
	t1	18.5(0.73)	22.5(0.89)	26.5(1.04)	17.5(0.69)	20.5(0.81)	21.5(0.85)	23.5(0.93)	17.5(0.69)	
	Cp	70 (2.76)	70 (2.76)	80 (3.15)	60.5(2.38)	66.5(2.62)	65 (2.56)	65 (2.56)	60.3(2.37)	66.7(2.63)
	n	4 (0.16)	4 (0.16)	4 (0.16)	4 (0.16)	4 (0.16)	4 (0.16)	4 (0.16)	4 (0.16)	4 (0.16)
	h	15 (0.59)	15 (0.59)	19 (0.75)	16 (0.63)	16 (0.63)	14 (0.55)	14 (0.55)	16 (0.63)	16 (0.63)
	bolt	M12	M12	M16	1/2	1/2	M12	M12	UNC1/2	UNC1/2
Mass kg(lb)	6.8(14.99)	7 (15.43)	8 (17.64)	6.4 (14.11)	6.8(14.99)	6.9(15.21)	7.1(15.65)	6.4 (14.11)	6.8(14.99)	

STANDARD SPECIFICATION

Material

- Converter case : Aluminium alloy
- Detector body : Stainless steel
- Lining : PFA
- Electrodes and grounding rings : refer to SPECIFICATION LIST

Case Structure : NEMA4 ICS6-110 · TYPE 4X
IEC Publ529 IP67

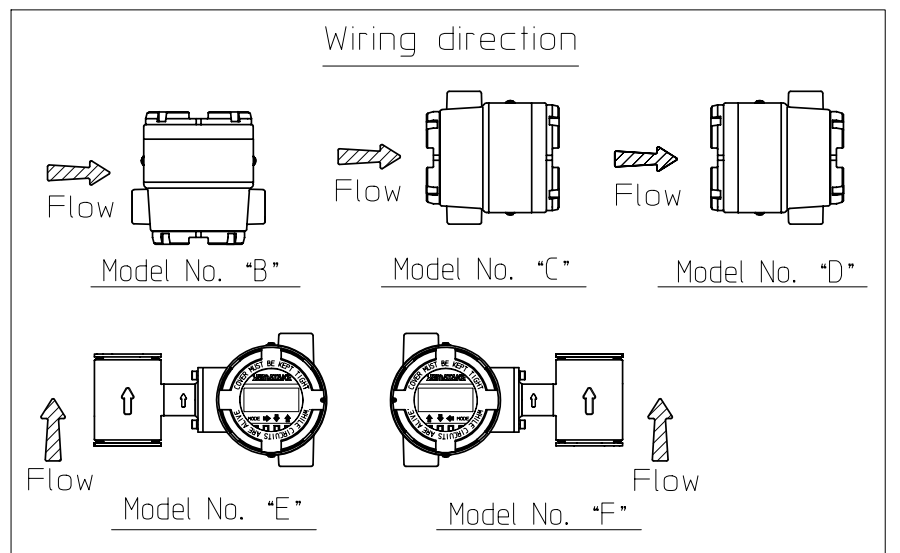
Mounting angle : Horizontal-mounted electrodes

Grounding : Grounding resistance 100 Ω max

Power supply : DC24V

Finish color

- Converter case : Light beige(Munsell 4Y7.2/1.3)
- Converter cover : Dark beige(Munsell 10YR4.7/0.5)



REV	2	04.9.9	稲垣/川井	3	4
-----	---	--------	-------	---	---	----	----

MagneW Two-wire PLUS Electromagnetic Flowmeter Watertight model Integral-Flange N.S.15mm		MODEL NO. MTG18A-015
		DATE Jun.29.2004
		REF. 80382901
		DRAWING NO. ED-568201-4

A B C D E