

SP. No.

Yamatake Corporation

製品仕様書 SPECIFICATIONS

1. GENERAL DESCRIPTION

The SI Series Indicators are LED bar graph indicators of 144mm × 36mm DIN standard size. Three colors of indication LEDs are available; red, yellow and green. The SI Series can perform a highly accurate analog indication with solid state circuit.

2. SPECIFICATION

2.1 Indication and Input Unit

Input Range:	DC4~20mA DC0~1mA DC0~1V DC1~5V DC0~5V
Input Impedance:	10 Ω (DC4~20mA) 200 Ω (DC0~1mA) 1M Ω (DC0~1V) 1M Ω (DC1~5V) 1M Ω (DC0~5V)
Indication Method:	LED bar dot
Effective Scale Length:	100mm
Number of Bar Dots:	101
Indication Accuracy:	±1%FS±1 digit
Response Speed:	0.5 sec. (90% response)
Input Calibration Range:	±10%FS (ZERO, SPAN)
Input-Over Indication:	Display blinks

2.2 High/Low Limits Setting Unit

Setting Range:	0~100%FS
Setting Accuracy:	±1% ±1 digit
Output Contact:	2C (Model SIC), 2c+2a (Model SID)
Output Contact Capacity:	AC125V 0.5V or DC30V 2A (resistive duty)
Contact Life:	500,000 cycles min. (rated load)

10 01

9 03

8 01

7 03

6 01

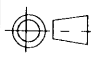
5 01

4 03

3 01

2 03

頁 改番

作成 DR. Sasaki		尺度 SCALE	記入のない公差 TOL. UNLESS NOTED
検出 CHK. Kusakawa	形番 MODEL	SIA, SIB, SIC, SID	
認可 APPD Hiyoshi	名称 NAME	SMART INDICATOR	
日付 DATE 11-5-90	番 NO.	AD7012E	改番 REV. 03
			1/10

03 JEO00-0756 9-22-00 I.Harada N.Tomonari

02 JEO99-0632 9-14-99 M.Saito N.Tomonari

01 JEO97-0111 3-4-97 Harada Aoki

改番 REV.	来歴 RECORD	日付 DATE	担当 BY	検閲 APPD.
---------	-----------	---------	-------	----------

SP. No.


Yamatake Corporation

製品仕様書 SPECIFICATIONS

2.3 Physical Specification

Model No.	SIA	SIB	SIC	SID
Power Source	Select according to Model No. AC100/110V ±10% 50/60Hz AC200/220V ±10% 50/60Hz AC120V ±10% 50/60Hz AC240V ±10% 50/60Hz DC24V ±10%			
Power Consumption	AC Power Supply Model	3VA	5VA	
	DC24V	2W	4W	
Ambient Temperature	0~50°C		0~45°C	
Ambient Humidity	80%RH max. (40°C)			
Mounting	Panel - flush mounting			
Mounting Angle	0~90° (in any direction)			
Standard Colors	Scale: Black colored aluminum Bezel and Case: Moss green (Munsell 2.5GY 3/1)			
Case and Cover Materials	Case: ABS resin Cover: Acrylic resin			
External Dimension	H144 × W36 × D164mm			
Insulation Resistance	More than 50MΩ between circuit and case (DC500V megger)		More than 10MΩ between circuit and case (DC500V megger)	
Dielectric Strength	Between circuit and case AC2KV for 1 minute Between power source and input AC: AC1.5KV for 1 minute DC24V: AC500V for 1 minute Between input 1 and input 2 AC500V for 1 minute		Between circuit and case AC1.5KV for 1 minute Between power source and input AC: AC1.5KV for 1 minute DC24V: AC1.5KV for 1 minute Between output contact and case AC1KV for 1 minute Between output contact and circuit AC1KV for 1 minute Between output contact and power source AC1KV for 1 minute	
Vibration Resistance	4.9m/s ² (10~60Hz)			
Shock Resistance	490m/s ²			
Mass (Weight)	Approx. 500g	Approx. 590g	Approx. 400g	

作成 DR. 尺度 SCALE 記入のない公差 TOL. UNLESS NOTED

Sasaki 

検出CHK. 形番 MODEL SIA, SIB, SIC, SID
Kusakawa

認可 APPD 名称 SMART INDICATOR
Hiyoshi

日付 DATE 番 AD7012E 改番 REV. 2/10
11-5-90 NO. 03

03	JEO00-0756	9-22-00	I.Harada	N.Tomonari
01	JEO97-0111	3-4-97	Harada	Aoki
改番 REV.	来歴 RECORD	日付 DATE	担当 BY	検閲 APPD.

No.
SP.

Yamatake Corporation

製品仕様書 SPECIFICATIONS

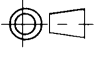
3. Model Numbering System

Basic Model No.	Specification (Note 1)						Contact	
	Type	Power Source	Input	Display 1		Display 2		
				Indicating Color	Range	Indicating Color		Range
SIA					-	-	1-point Indicator	
SIB							2-point Indicator	
SIC					-	-	1-point Indicator with high/low limits setting	
SID					-	-	1-point Indicator with high-high/low-low limits setting	
	1						AC100/110V 50/60Hz	
	2						AC200/220V 50/60Hz	
	5						AC120V 50/60Hz	
	6						AC240V 50/60Hz	
	8						DC24V	
		C					DC4~20mA	
		F					DC0~1mA	
		L					DC0~1V	
		V					DC1~5V	
		Y					DC0~5V	
			R				Red	
			G				Green	
			Y				Yellow	
				Note 2			Range Code	
					R		Red	
					G		Green	
					Y		Yellow	

Note 1: 1-point Indicator uses Display 1 only.
2-point Indicator uses Display 1 (left) and Display 2 (right).

Note 2: Range Code

Note 2: Refer to Range Code Table.

作成 DR.		尺度 SCALE	記入のない公差 TOL. UNLESS NOTED
検図 CHK.	形番 MODEL	SIA, SIB, SIC, SID	
認可 APPD.	名称 NAME	SMART INDICATOR	
改番 REV.	日付 DATE	図番 NO.	改番 REV.
01	11-5-90	AD7012E	01 / 3 / 10

頁 改番

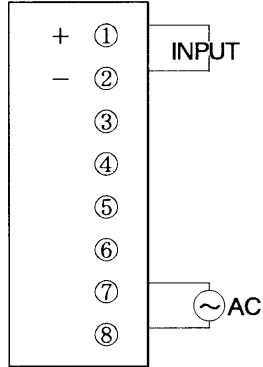
01	JEO97-0111	3-4-97	Harada Aoki
改番 REV.	来歴 RECORD	日付 DATE	担当 BY 検閲 APPD.

No.
SP.

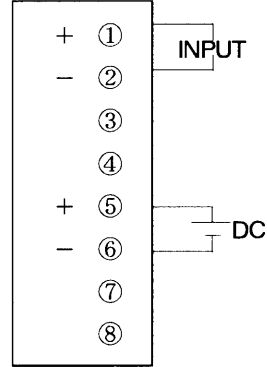
5. TERMINAL CONNECTION

SIA1, SAI2

SIA5, SIA6

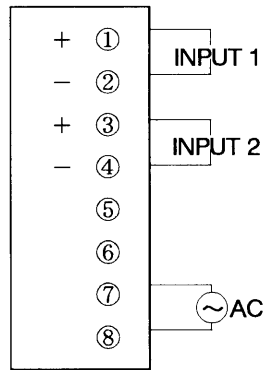


SIA8

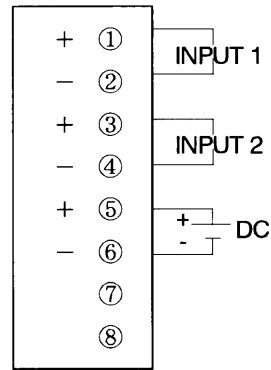


SIB1, SIB2

SIB5, SIB6



SIB8

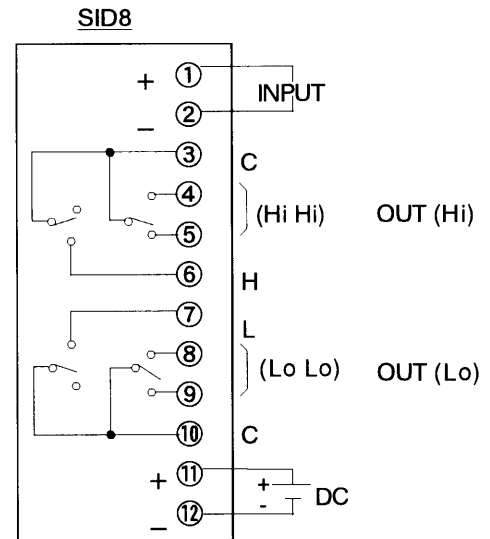
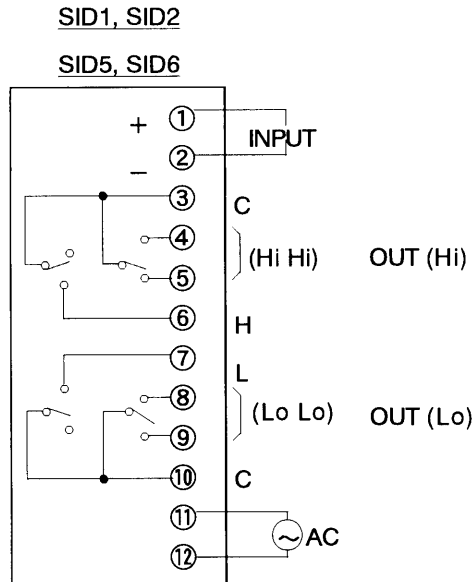
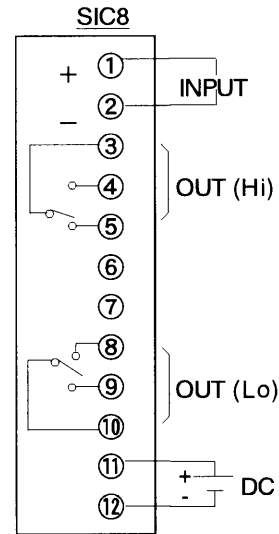
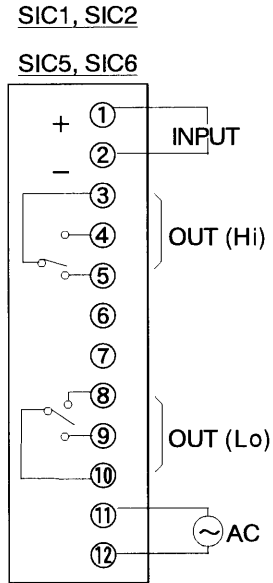


作成 DR. Sasaki		尺度 SCALE	記入のない公差 TOL. UNLESS NOTED
検図 CHK. Kusakawa	形番 MODEL SIA, SIB, SIC, SID		
認可 APPD Hiyoshi	名称 NAME SMART INDICATOR		
改番 REV. 01	来歴 RECORD JEO97-0111	日付 DATE 3-4-97	担当 検閱 BY APPD. Harada Aoki
頁 改番			日付 DATE 11-5-90
			図番 NO. AD7012E
			改番 REV. 01
			5/10

SP. No.

Yamatake Corporation

製品仕様書
SPECIFICATIONS



作成 DR. Sasaki		尺度 SCALE	記入のない公差 TOL. UNLESS NOTED
検図 CHK. Kusakawa	形番 MODEL	SIA, SIB, SIC, SID	
認可 APPD. Hiyoshi	名称 NAME	SMART INDICATOR	
改番 REV. 01	来歴 RECORD	日付 DATE 11-5-90	担当 検閱 BY APPD. Harada Aoki
頁 改番		図番 NO.	改番 REV. 01
		AD7012E	6/10

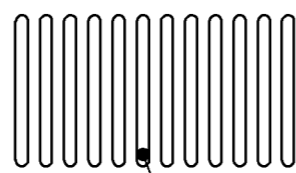
SP. No.

Yamatake Corporation

製品仕様書
SPECIFICATIONS

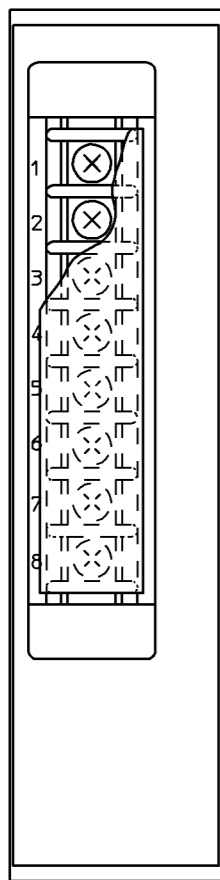
Terminal Cover

35



Ventilation Holes
(Top and bottom)

M3 Free
Terminal Screws



139

(20)

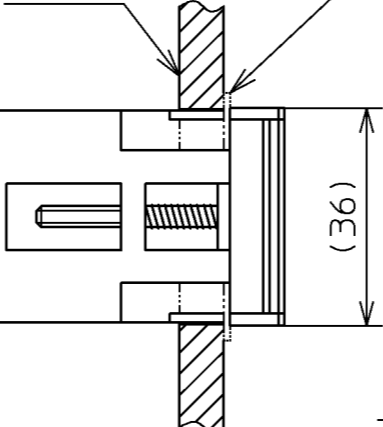
135

9

164

Panel

Mounting Spacer
Accessory Parts
t0.5 (2)

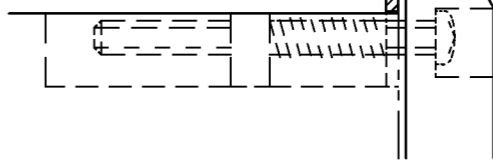


(Example)
For Scale 0~8m

Face Plates
(Top and Bottom)

Panel

Mounting Spacer

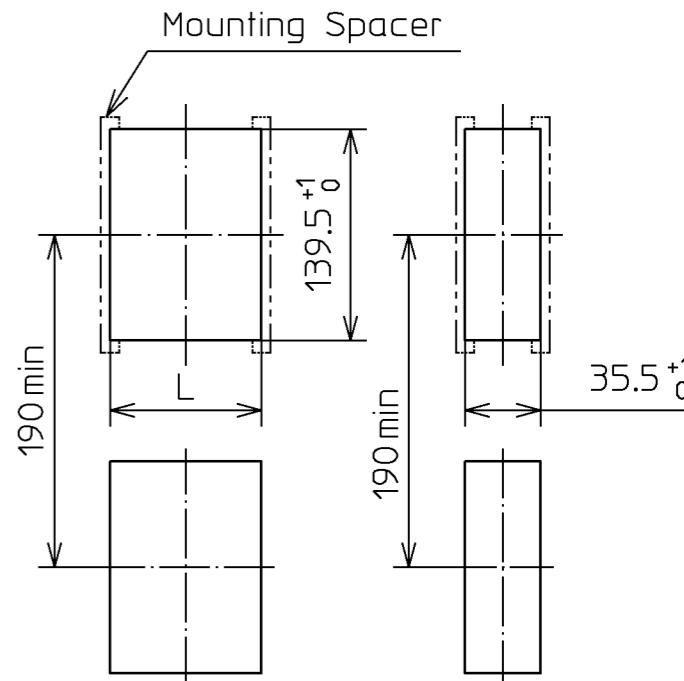
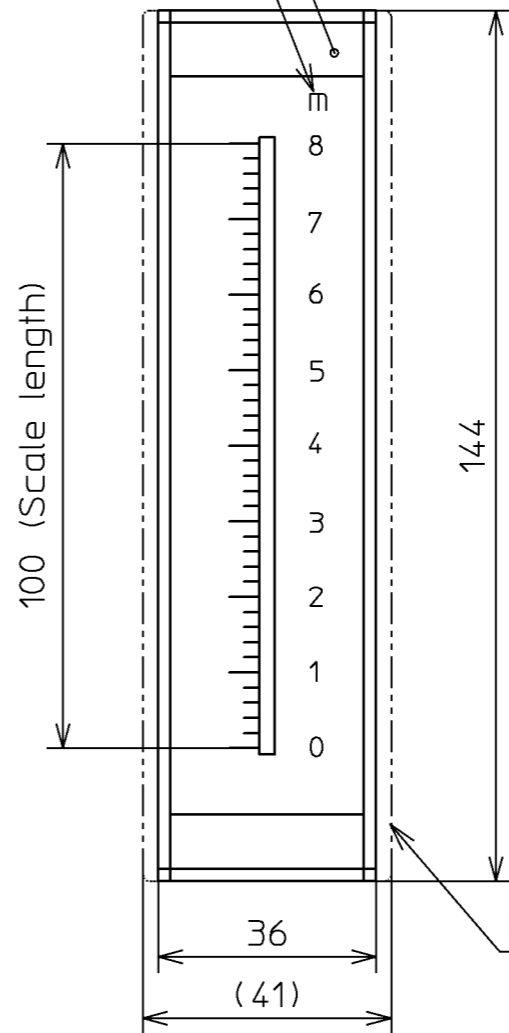


Remove face plate
and mount with screws

Closed Mounting

Single mounting

Mounting Spacer



Panel Cutout

$$L = (N \times 36) + 1$$

N=Quantity of Devices

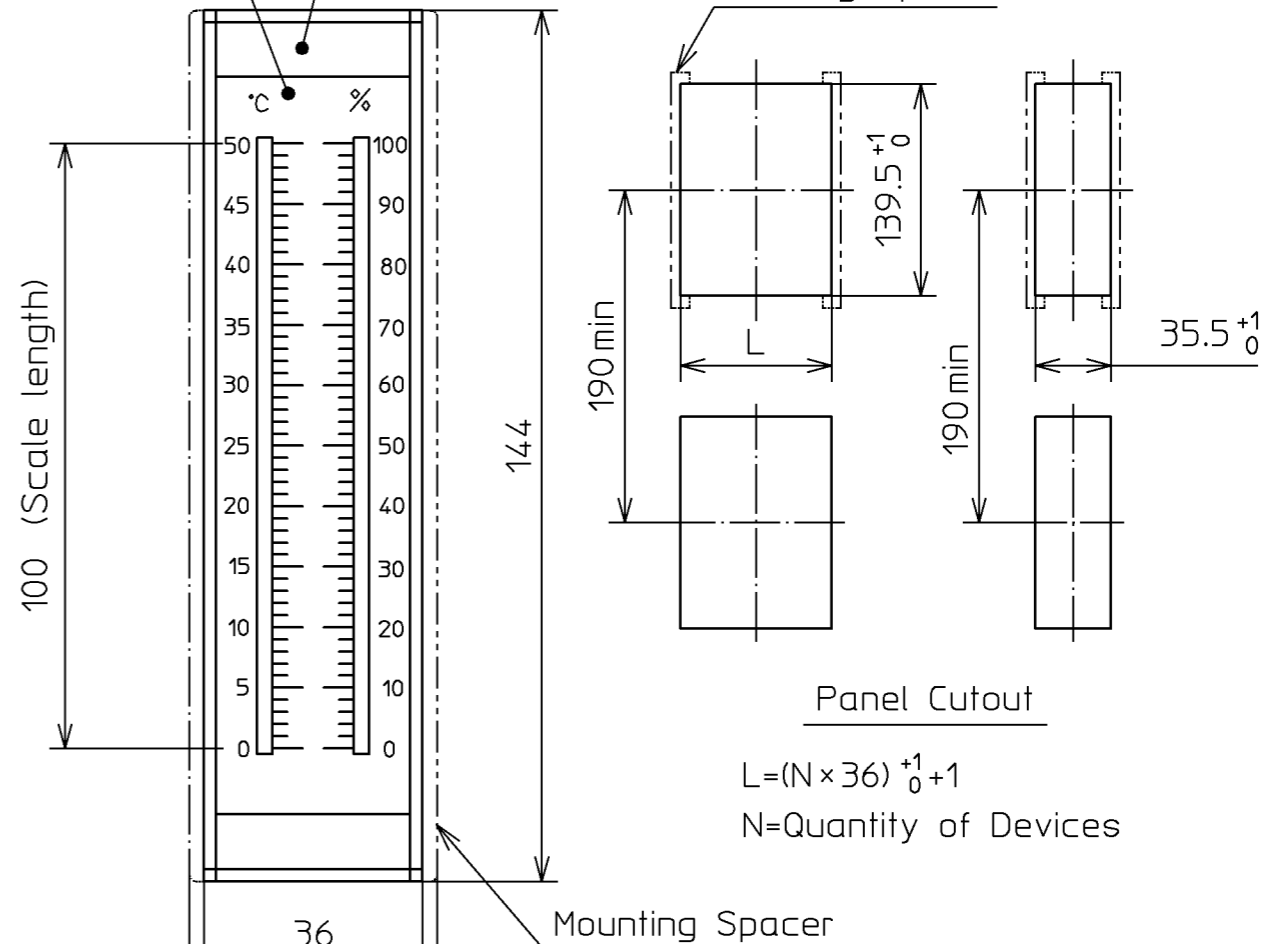
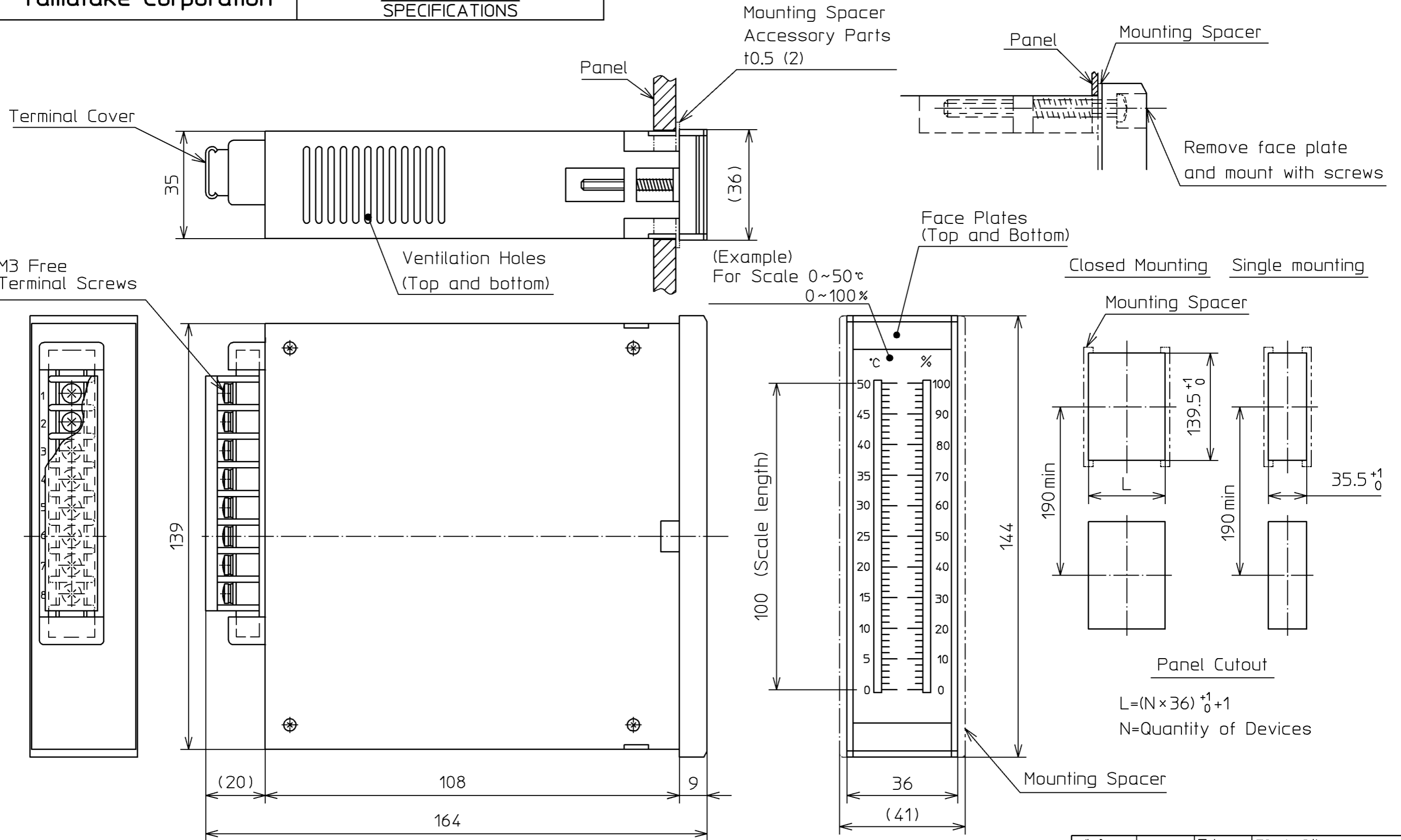
Mounting Spacer

作成DR. S.Nakanishi 11.2.'90	検図CHK. M.Ogido 11.2.'90	調可APPD K.Murata 11.5.'90	日付DATE 9.22.'00	尺度SCALE C/D	記入のない公差 TOL. UNLESS NOTED
03	JE000-0756	9.22.'00	S.Nakanishi M.Ogido	形番 MODEL	SIA
01	JE097-0111	3.4.'97	S.Nakanishi M.Ogido	名称 NAME	Smart Indicator
改番 REV.	来歴 RECORD	: 日付 DATE	担当 BY	検閲 APPD.	図番 NO.
					AD7012E
					改番REV. 7/10 03

SP. No.

Yamatake Corporation

製品仕様書
SPECIFICATIONS



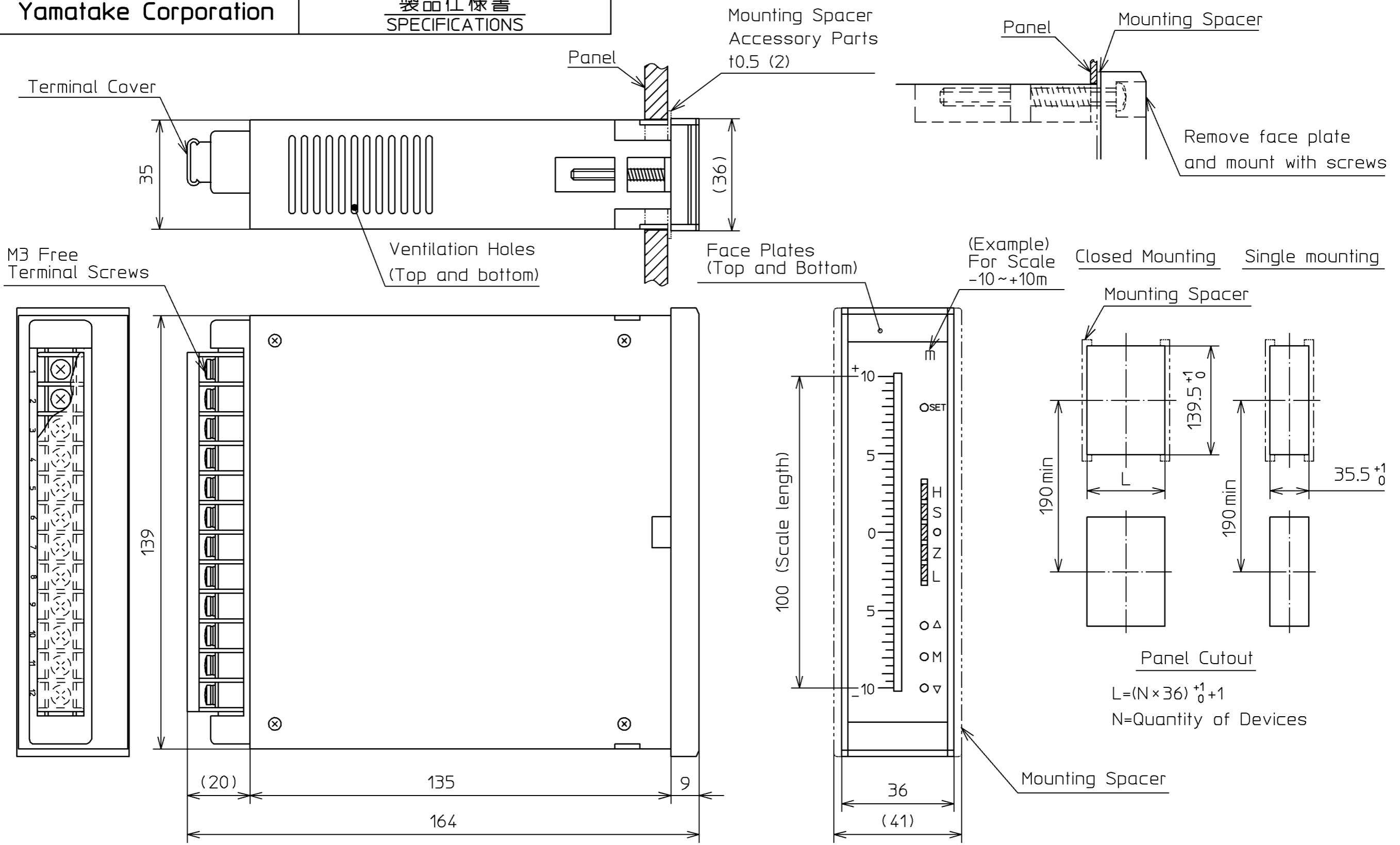
作成DR. S.Nakanishi 11.2.'90	検図CHK. M.Ogido 11.2.'90	認可APPD K.Murata 11.5.'90	日付DATE 3.4.'97	担当 S.Nakanishi	検閲 M.Ogido	尺度SCALE C/D	記入のない公差 TOL. UNLESS NOTED
形番 MODEL		名称 NAME		図番 NO.		改番REV. 8/10	
SIB		Smart Indicator		AD7012E		01	

01	JE097-0111	3.4.'97	S.Nakanishi	M.Ogido
改番 REV.	来歴 RECORD	日付 DATE	担当 BY	検閲 APPD.

SP. No.

Yamatake Corporation

製品仕様書
SPECIFICATIONS



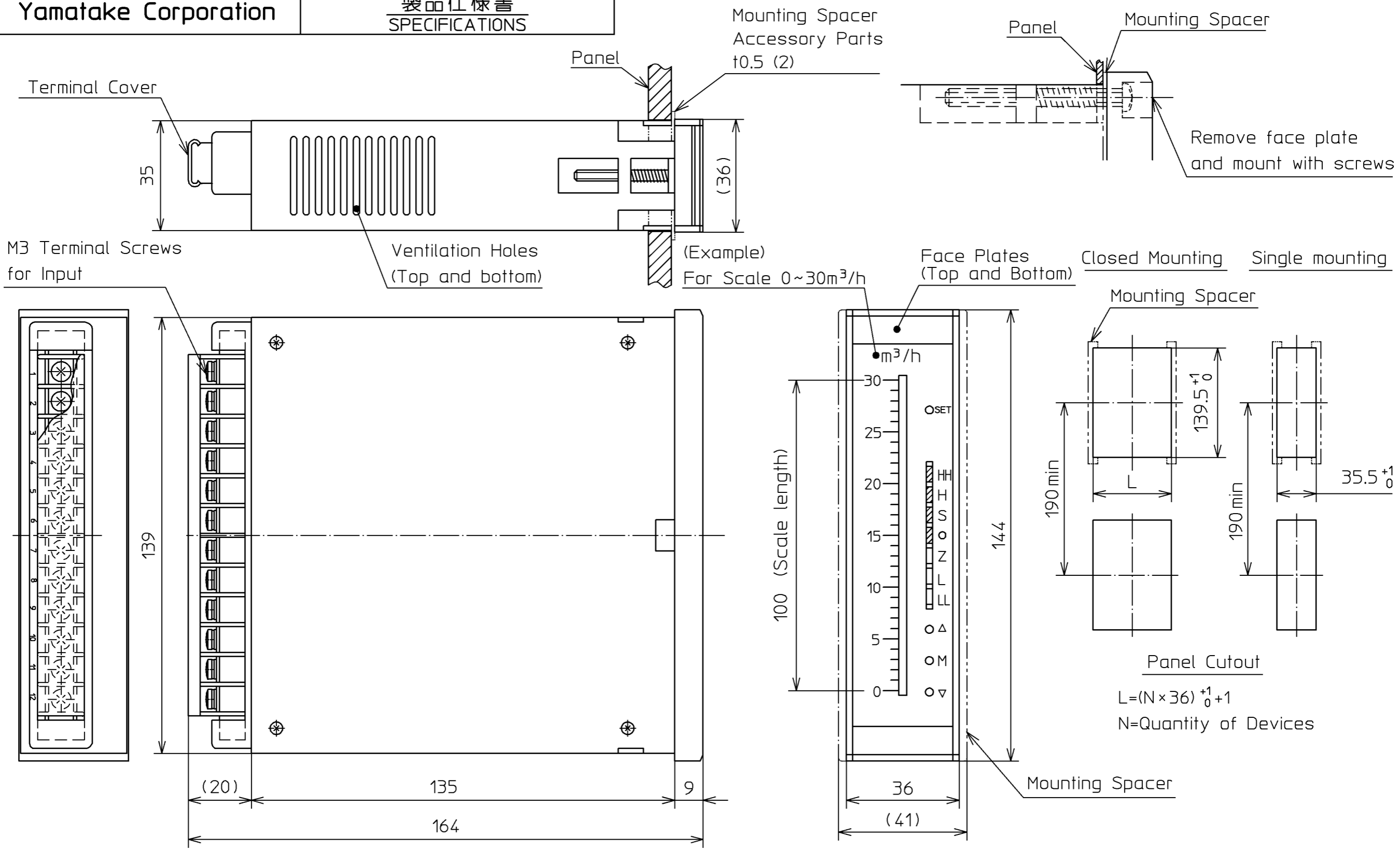
改番 REV.	来歴 RECORD	日付 DATE	担当 BY	検閲 APPD.
03	JE000-0756	9.22.'00	S.Nakanishi	M.Ogido
01	JE097-0111	3.4.'97	S.Nakanishi	M.Ogido

作成 DR. S.Nakanishi 11.2.'90	検図 CHK. M.Ogido 11.2.'90	認可 APPD. K.Murata 11.5.'90	日付 DATE 9.22.'00	形番 MODEL SIC	名称 NAME Smart Indicator	図番 NO. AD7012E	改番 REV. 03	9/10
尺度 SCALE 1:1				記入のない公差 TOL. UNLESS NOTED				

SP. No.

Yamatake Corporation

製品仕様書
SPECIFICATIONS



01	JE097-0111	3.4.'97	S.Nakanishi	M.Ogido
改番 REV.	来歴 RECORD	: 日付 DATE	担当 BY	検閲 APPD.

作成DR. S.Nakanishi 11.2.'90	検図CHK. M.Ogido 11.2.'90	認可APPD. K.Murata 11.5.'90	日付DATE 3.4.'97	尺度SCALE 記入のない公差 TOL. UNLESS NOTED
形番 MODEL	SID			
名称 NAME	Smart Indicator			
図番 NO.	AD7012E	改番REV.	10/01	