

VEN4000C

Slow-Opening Type Gas Solenoid Valve

The VEN4000C is used for ON/OFF or safety shut-off control of a gas burner, for city gas, natural gas or LP gas. It is available with flow rate, step pressure and slow opening speed adjustments.

Noiseless operation is reached by employing a DCC-energized solenoid with a built-in rectifier.



Specifications

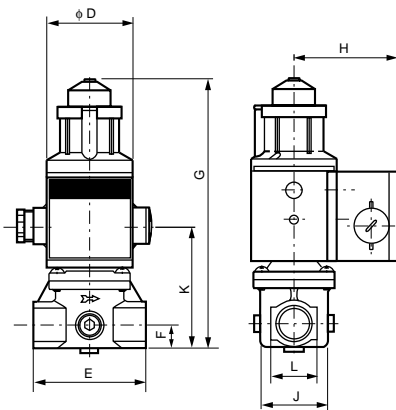
Applicable gas	City gas, natural gas, LP gas
Slow-opening speed	Variable: Factory set to 20s
Valve closing time	1s or less
Full flow rate adjustment	40 to 100% of maximum flow rate
Start flow rate adjustment	0 to 70% of maximum flow rate
Material	Aluminum alloy
Strainer	Built-in strainer
Protective structure	IP65
Ambient temperature	-15 to +60°C
Mounting position	Axis of solenoid coil within ±90° from vertical plane
Conduit connection	CTC19 JIS Conduit tube thread
Approval	DIN-EN161 Class A, Group 2

Selection Guide

Model No.	Piping connection (Rp)	Flow rate (m³/h): Differential pressure 250Pa		Cv value	Maximum operating pressure (kPa)	Power supply (Vac) 50/60Hz	Power consumption (VA)	Weight (kg)
		Specific gravity 0.65	Specific gravity 1.53					
VEN4010C1100	3/8	6.8	4.4	4.6	35	100	16	1.2
VEN4010C1200						200		
VEN4015C1100	1/2	7.6	4.9	5.2	35	100	16	1.2
VEN4015C1200						200		
VEN4020C1100	3/4	18.6	12.0	12.8	20	100	20	2.1
VEN4020C1200						200		
VEN4025C1100	1	21.8	14.1	14.9	20	100	20	2.1
VEN4025C1200						200		
VEN4032C1100	1 1/4	43.5	28.1	29.8	20	100	43	6.0
VEN4032C1200						200		
VEN4040C1100	1 1/2	53.6	34.7	36.7	20	100	43	6.0
VEN4040C1200						200		
VEN4050C1100	2	74.9	48.4	51.3	20	100	51	6.3
VEN4050C1200						200		

Dimensions

(unit:mm)



Model No.	C (Pipe connection)	D	E	F	G	H	J	K	L
VEN4010C1100	Rp 3/8	φ55	72	15	167.5	60	52	75.5	30
VEN4010C1200		φ55	72	15	167.5	60	52	75.5	30
VEN4015C1100	Rp 1/2	φ55	72	15	167.5	60	52	75.5	30
VEN4015C1200		φ55	72	15	167.5	60	52	75.5	30
VEN4020C1100	Rp 3/4	φ63	86.5	24	210	64	71	116.5	45
VEN4020C1200		φ63	86.5	24	210	64	71	116.5	45
VEN4025C1100	Rp 1	φ63	100	24	210	64	78	116.5	47.5
VEN4025C1200		φ63	100	24	210	64	78	116.5	47.5
VEN4032C1100	Rp 1 1/4	φ85	150	33	284.5	75.5	104	174.5	64
VEN4032C1200		φ85	150	33	284.5	75.5	104	174.5	64
VEN4040C1100	Rp 1 1/2	φ85	150	33	284.5	75.5	104	174.5	64
VEN4040C1200		φ85	150	33	284.5	75.5	104	174.5	64
VEN4050C1100	Rp 2	φ95	170	40	304	79.5	129	194	78
VEN4050C1200		φ95	170	40	304	79.5	129	194	78