

# VEN4000B

## Quick-Opening Type Gas Solenoid Valve

The VEN4000B is used for ON/OFF or safety shut-off control of a gas burner, for city gas, natural gas or LP gas. It is available with flow rate and quick-opening speed adjustment.

Noiseless operation is reached by employing a DCC-energized solenoid with a built-in rectifier.



### Specifications

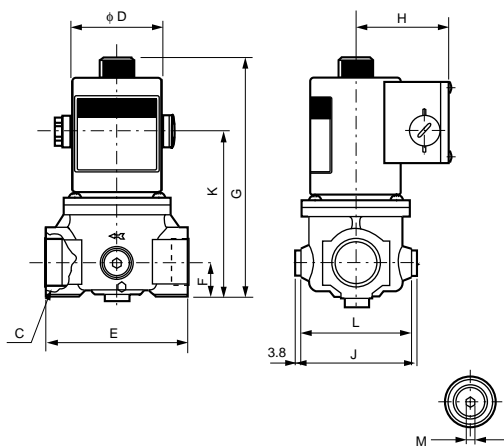
Applicable gas	City gas, natural gas, LP gas
Valve opening time	1s or less
Valve closing time	1s or less
Full flow rate adjustment	20 to 100% of maximum flow rate
Material	Aluminum alloy
Strainer	Built-in strainer
Protective structure	IP65
Ambient temperature	-15 to +60°C
Mounting position	Axis of solenoid coil within ±90° from vertical plane
Conduit connection	CTC19 JIS Conduit tube thread
Approval	IDN-EN161 Class A, Group 2

### Selection Guide

Model No.	Piping connection (Rp)	Flow rate (m³/h): differential pressure 250Pa		Cv value	Maximum operating pressure (kPa)	Power supply (Vac) 50/60Hz	Power consumption (VA)	Weight (kg)
		Specific gravity 0.65	Specific gravity 1.53					
VEN4010B1100	3/8	6.8	4.4	4.6	35	100	16	1.1
VEN4010B1200						200		
VEN4015B1100	1/2	7.6	4.9	5.2	35	100	16	1.1
VEN4015B1200						200		
VEN4020B1100	3/4	18.6	12.0	12.8	20	100	20	1.9
VEN4020B1200						200		
VEN4025B1100	1	21.8	14.1	14.9	20	100	20	2.0
VEN4025B1200						200		
VEN4032B1100	1 1/4	43.5	28.1	29.8	20	100	43	5.8
VEN4032B1200						200		
VEN4040B1100	1 1/2	53.6	34.7	36.7	20	100	51	6.4
VEN4040B1200						200		
VEN4050B1100	2	74.9	48.4	51.3	20	100	64	13.0
VEN4050B1200						200		
VEN4065B1100	2 1/2	113	73.0	77.4	20	100	120	13.0
VEN4065B1200						200		
VEN4080B1100	3	149	97	100	20	100	120	13.0
VEN4080B1200						200		

### Dimensions

(unit:mm)



Model No.	C (Pipe connection)	D	E	F	G	H	J	K	L	M
VEN4010B1100	Rp 3/8	φ55	72	15	121	60	52	75.5	30	3
VEN4010B1200		φ55	72	15	121	60	52	75.5	30	
VEN4015B1100	Rp 1/2	φ55	72	15	121	60	52	75.5	30	3
VEN4015B1200		φ55	72	15	121	60	52	75.5	30	
VEN4020B1100	Rp 3/4	φ63	86.5	24	165	64	71	116.5	45	3
VEN4020B1200		φ63	86.5	24	165	64	71	116.5	45	
VEN4025B1100	Rp 1	φ63	100	24	165	64	78	116.5	47.5	3
VEN4025B1200		φ63	100	24	165	64	78	116.5	47.5	
VEN4032B1100	Rp 1 1/4	φ85	150	33	230	75.5	104	174.5	64	4
VEN4032B1200		φ85	150	33	230	75.5	104	174.5	64	
VEN4040B1100	Rp 1 1/2	φ85	150	33	230	75.5	104	174.5	64	4
VEN4040B1200		φ85	150	33	230	75.5	104	174.5	64	
VEN4050B1100	Rp 2	φ95	170	40	249	79.5	129	194	78	4
VEN4050B1200		φ95	170	40	249	79.5	129	194	78	
VEN4065B1100	Rp 2 1/2	φ115	240	90	343	90	188	278	110	6
VEN4065B1200		φ115	240	90	343	90	188	278	110	
VEN4080B1100	Rp 3	φ130	240	90	343	98	188	278	110	6
VEN4080B1200		φ130	240	90	343	98	188	278	110	