

L91B, D

Pressuretrol Controllers (Proportional)



The L91B, D controllers sense pressure changes, thus actuating an internal potentiometer and changing the electric resistance of the potentiometer in proportion to those changes. The controllers are suitable as a direct controller for the proportional motors of automatic burners inside high limit controllers or for steam heater equipment.

Specifications

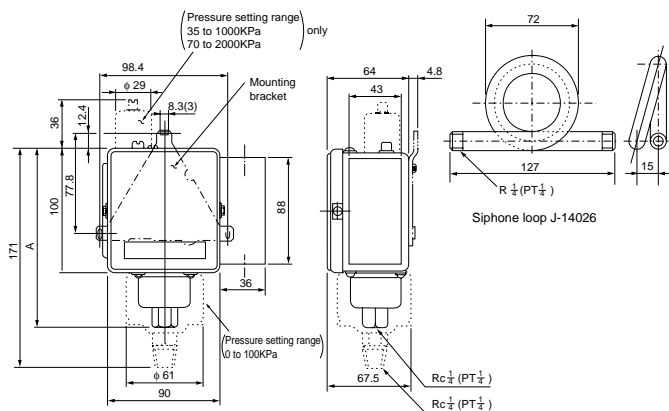
Case	Rolled steel plate
Ambient temperature	0 to 65°C
Control mode	Proportioning
Potentiometer	L91B: 135Ω one unit built-in, L91D: 135Ω two units built-in
Weight	Approx. 1.02kg
Mounting	R1/4 (0 to 100kPa model), Rc1/4 (other models)
Sensing element material	Bellows: Phosphorous bronze

Selection Guide

Model No.	Pressure setting range (kPa)	Midscale proportional band (adjustable) (kPa)		Max. allowable pressure (kPa)		
L91B200	0 to 100	15	84	160		
L91B204	0 to 350	100	224	600		
L91B208	35 to 1000	91	364	1600		
L91D208						
L91B212	70 to 2000	50	560	2500		
L91D212					300	770
L91B216						
J-14026	Siphone loop (separate order)					
188050A	Mounting bracket (3 M4 and 3 M5 screws attached) (separate order)					

Dimensions

(unit:mm)



Dimension

Pressure setting range kPa	A
0 to 350	143
35 to 1000	143
70 to 2000	140