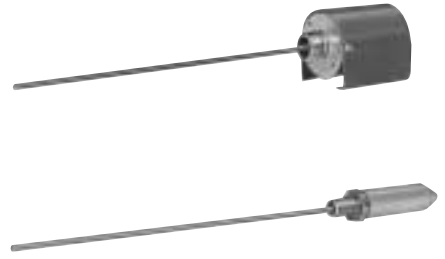


# C7007A / C7008A

## Flame Rods

The C7007A/C7008A are used with a rectification-type Protectorelay as a flame detector for glass-fired pilot burners.



### Specifications

Protectorelay	R485B, R4150P, R4715B, C, R4750B, R4780B, RA890F, WN200A/R7257A, WN210A/R7257A, RM7800 Series
C7007A	Flame rod holder
C7008A	Flame rod assembly
Accessories (order separately)	Flame rod for C7007A
Approval bodies	UL, FM, CSA

### Selection Guide

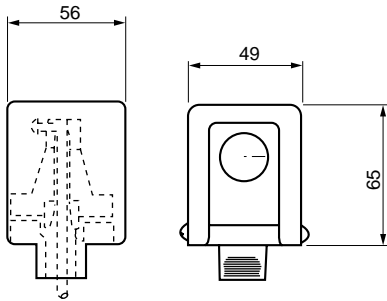
Model No.	Weight	Mounting	Length	Material	Allowable max. temp.	Flame rod Part No.	Weight
C7007A1001	430g	1/2 NPT	300mm	Pilomax C	1200°C	N102709A	40g
			600mm			N102709C	80g
			1200mm			N102709E	120g
C7008A1034	210g	1/4 NPT	610mm	Kanthal	1100°C	105478D*	Included in C7007A

\* Replacement part for the C7008A.

### Dimensions

(unit:mm)

#### • C7007A



#### • C7008A

