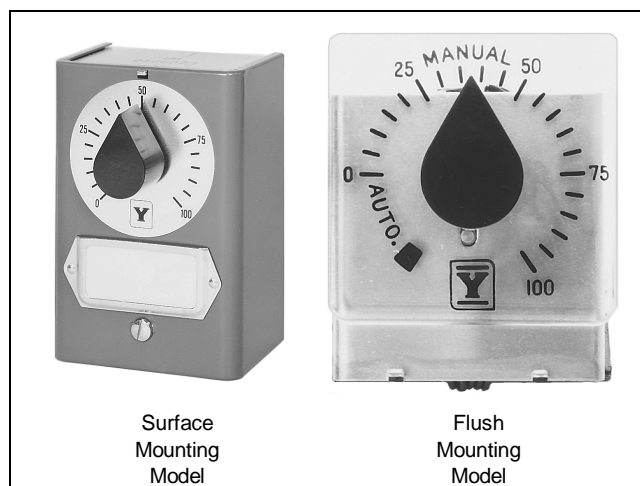


## Remote Setter with Auto-Manual Selector Switch QN406B

The QN406B is a remote setter with a built-in selector switch of SPDT contact point in Q406B and is used for remote control of the Modutrol Motor in combination with a built-in balancing relay such as M904E or M9185A. By turning the setting knob, you can adjust the opening of valves or dampers linked the Modutrol Motor to the desired position.

A dpdt. built-in switch can select either AUTO or MANUAL.



### Specification

Item	Specifications
Model	QN406B2S: Surface mounting QN406B1P: Flush mounting
Scale range	0 to 100 %
Scale plate	Surface mounting Black-on-white dial Flush mounting Black-on-transparent acrylic plate
Resistance value of potentiometer	Nominal 135 $\Omega$
Dimensions	Surface mounting Refer to Fig.1 Flush mounting Refer to Fig.2
Finish	Surface mounting Cover: Gray enamel Setting knob: Black Flush mounting Setting knob: Black
Accessories	(furnished with only surface mounting model) N-3051 1) Round head screw M5 x 10mm (3) 2) Hex. nut (6) 3) Spring washer (6)
Ordering information	1. Model No. 2. Mounting means

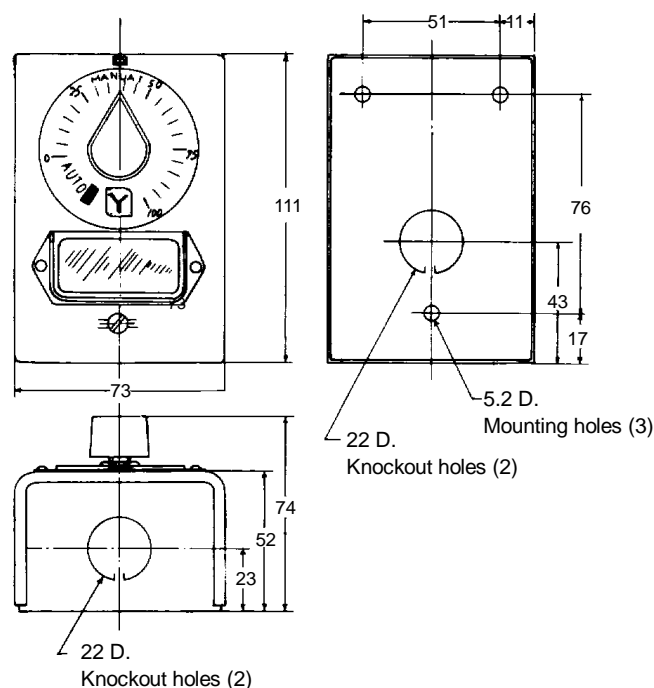


Fig. 1 Surface Mounting Type Dimensions (mm)

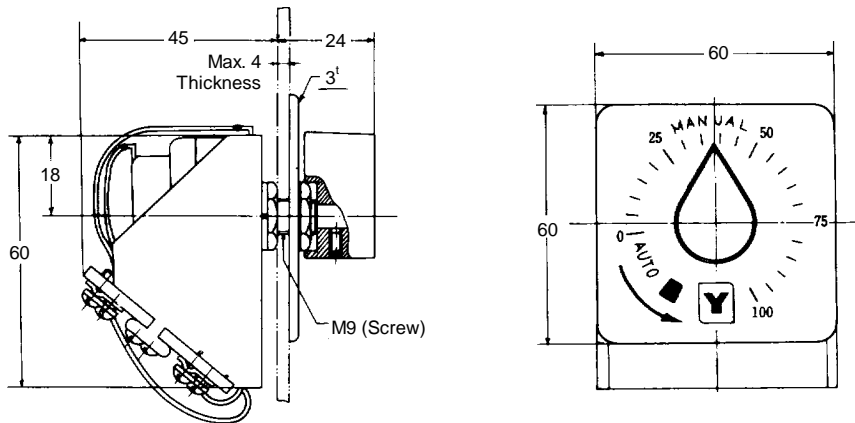


Fig. 2 Flush Mounting Type Dimensions (mm)

## Safety Instructions

Please read instructions carefully and use the product properly. Please keep this instruction on hand for reference at any time.

## Usage Restrictions

This product is targeted for general air conditioning. Do not use this product in a situation where human life may be affected. If this product is used in clean rooms or places where reliability or control accuracy is particularly required, please contact Yamatake's sales representatives. Yamatake Building Systems Co., Ltd. bears no responsibility for any benefit, or lack of benefit, derived from the operation by the customer.

### ⚠ CAUTION

- ⚠ • Installer must be a trained, experienced service technician.
- ⚠ • Check the ratings given in this instruction to prevent equipment damage.
- ⚠ • Check the environment given in this instruction to prevent equipment damage.
- ⚠ • All wiring must confirm to local codes and ordinances.
- ⚠ • Use crimp contacts with insulation jackets for wire terminals.
- ⚠ • Disconnect the power supply before beginning wiring to prevent electrical shock or equipment damage.
- ⚠ • Check for loose wiring to prevent heat generation or equipment damage.
- ⚠ • Do not disassemble except for wiring to Modutrol Motor or part replacement. Equipment damage or electrical shock may result

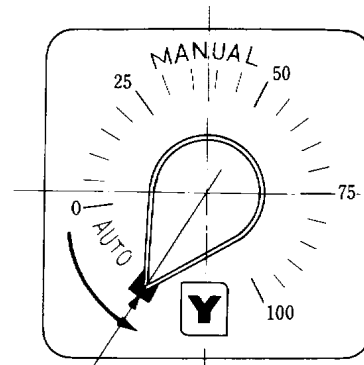
## Installation

### Surface mounting model (Fig.1)

Make three mounting holes on the mounting surface, remove the cover and attach the housing using the attached bracket.

### Flush mounting model (Fig.2)

- 1) Make a hole a 10 mm in diameter in the panel.
- 2) Remove a nut from the shaft of the potentiometer and run the shaft through the mounting hole from inside of the panel. Run the scale plate through the shaft and tighten the nut to anchor the scale plate and main unit to the panel. Anchor the scale plate and main unit to the panel.
- 3) Install the setting knob as shown in Figure 3.



Place the knob on the shaft and adjust the knob to make sure the indicating tip is right on the middle of the black marking of the dial. Then, tighten the set screw of the knob.

Fig. 3 Setting knob

## Installation

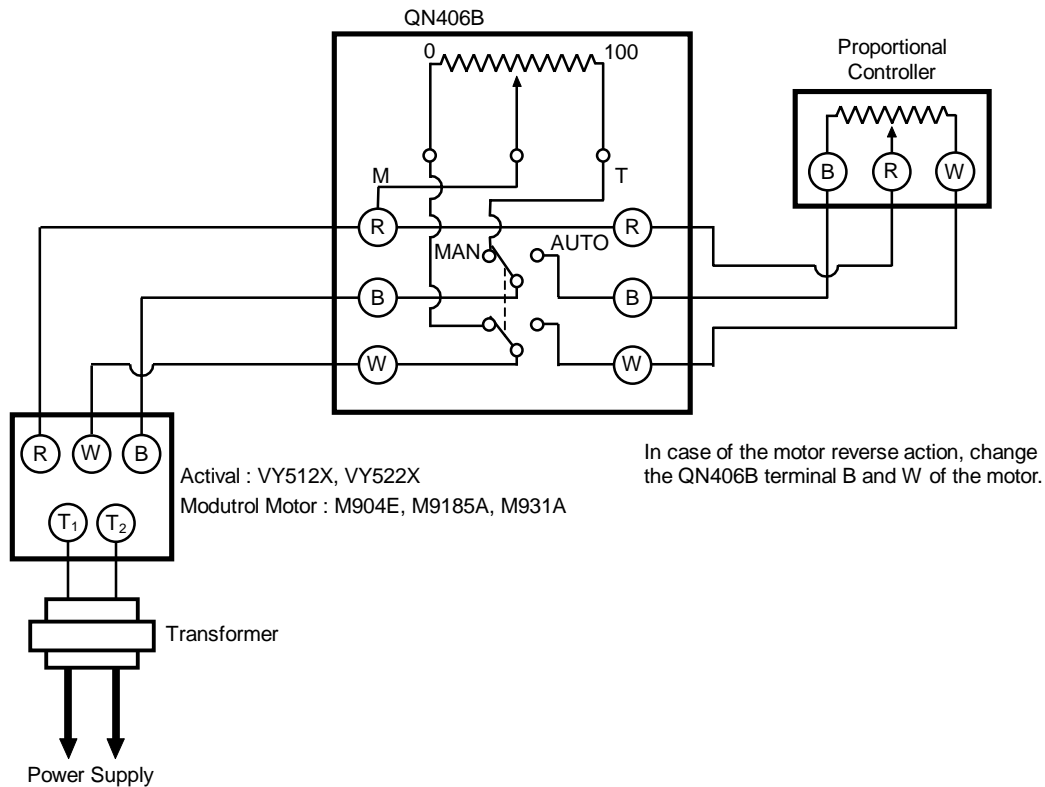


Fig. 4 Typical Wiring Diagram

*Specifications are subjects to change without notice.*

**YAMATAKE**

---

**Yamatake Building Systems Co., Ltd.**

**Yamatake Corporation  
International Business Division**

Totate International Bldg.  
2-12-19, Shibuya, Shibuya-Ku  
Tokyo, 150-8316, Japan  
Phone: 81-3-3486-2350  
Facsimile: 81-3-3486-2592

Rev.1.1 Dec. 2000

Printed in Japan. AB-4065 1H-H (W)