

SP. NO.

Yamatake Corporation

製品仕様書  
SPECIFICATIONS

MAXIMUM ALLOWABLE CURRENT: 10mA

POWER CONSUMPTION: 250mW

INSULATION RESISTANCE: Should be more than 50MΩ by DC500V megger between each leadwire and socket metal with U.V. tube removed.

DIELECTRIC STRENGTH: Should be capable of withstanding a potential of AC1500V 50 or 60Hz for 1 minute or AC1800V for 1 second between each leadwire and socket metal without breakdown.

MAXIMUM PRESSRE RATING: 34.5kPa


AMBIENT OPERATING TEMPERATURE: -18 to +102°C

MOUNTING: Color with 1/2-14NPSM internal threads for mounting on a 1/2 in. sight pipe.

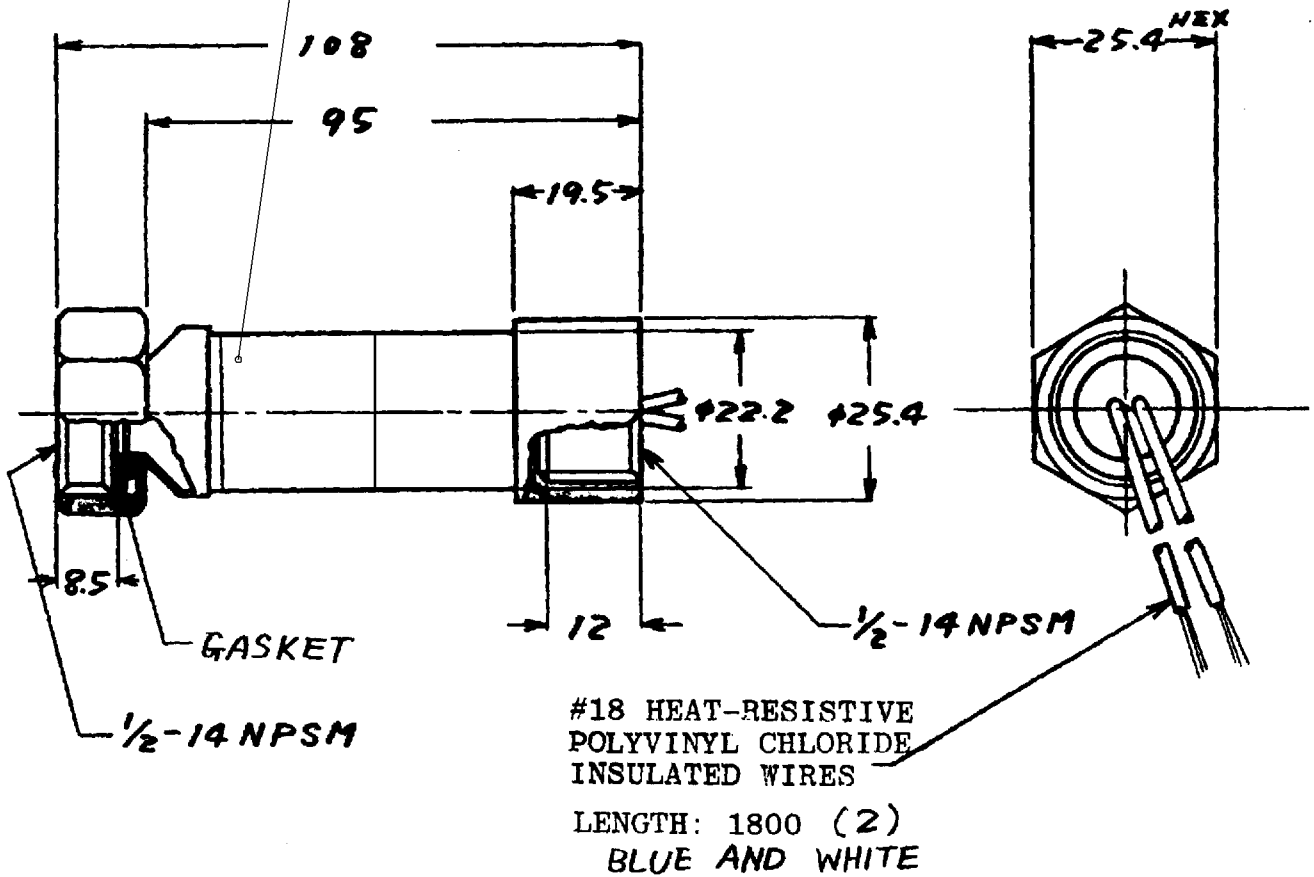
LEADWIRE: Two 1.8m leadwires attached Blue, White  
The blue leadwire must be connected to the F terminal and white leadwire to the G terminal.

PROTECTORELAY USED WITH: R4150F, R4303A, WN200, WN210, RA890G

The effective operation term of the UV tube is three-year progress after the inspection date of our company, or aggregate use 25000 hours. For safety purposes, be sure to replace the UV tube within this term.

						作成 DR. H. Sato 5.21.'85		尺度 SCALE ~	記入のない公差 TOL.UNLESS NOTED ~		
	04	JEO03-0327	4.17.'03	S.Nakanishi	S.Mituro	検図 CHK. M. Imano 5.21.'85	形番 MODEL	C7027A1072J			
	03	JEO95-0509	9.25.'95	I.H	T.Y	認可 APPD E. Kawashima 5.21.'85	名称 NAME	MINIPEEPER ULTRAVIOLET FLAME DETECTOR			
2	04	02	JEO95-0357	5.31.'95	I.H	K.S	日付 DATE 4.17.'03	図番 NO.	AD1929E	改番 REV 04	1/2
頁	改番	改番	来歴 RECORD	日付 DATE	担当 BY	検閱 APPD.					

CAUTION LABEL  
 (OPPOSITE SURFACE:  
 EFFECTIVE OPERATION TERM LABEL)



				形番 MODEL		C7027A1072J	
04	JE003-0327	4.21.03	S.Nakanishi	S.Miura			
03	9.20.95	JE095-0509	I.W.	Y.N.			
1	85-2-18	TO ADD ATTENTION LABEL		A.S.	M.O.		
来歴 REV	日付 DATE	記 事 DESCRIPTION		名 称 NAME			
				MINIPEPER ULTRAVIOLET FLAME DETECTOR			
作成 DRWN.	検図 CHKD	承認 APPD.	日付 DATE	改 番 REV NO.	図 番 DRWG.NO.		
M.Ogido		H.K. Shi	85-5-22	04	A D 1929E		2/2
Max. 10.83		Max. 11.83					

SP.NO.

**Yamatake Corporation**

製品仕様書  
**SPECIFICATIONS**

“RESTRICTIONS ON USE”

This product has been designed, developed and manufactured for general-purpose application in machinery and equipment.

Accordingly, when used in applications outlined below, special care should be taken to implement a fail-safe and/or redundant design concept as well as a periodic maintenance program.

- Safety devices for plant worker protection
- Start/stop control devices for transportation and material handling machines
- Aeronautical/aerospace machines
- Control devices for nuclear reactors

Never use this product in applications where human safety may be put at risk.

1	00	00	First issue	12-2-02	Harada	Miura
頁	改番	改番	来歴	日付	担当	検閲
	REV.	REV.	RECORD	DATE	BY	APPD.