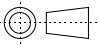
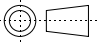
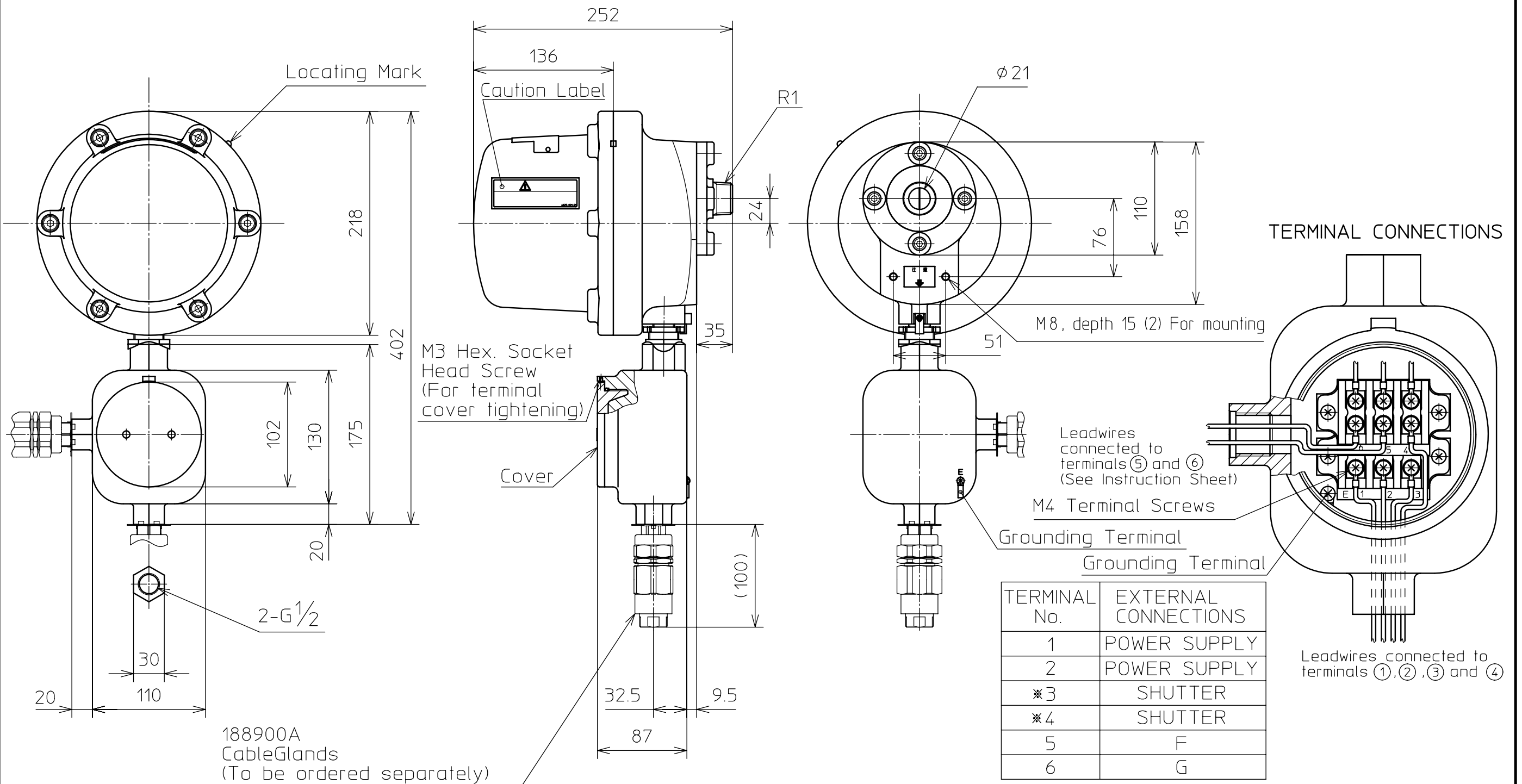


SP. NO.	<b>Yamatake Corporation</b>				<b>製品仕様書</b> <b>SPECIFICATIONS</b>												
	Model Number:		C7012C1059 C7012F1060														
	Applied Std.:		JIS C 0903, d2G4, Flameproof construction for outdoors.														
	Approval Number:		No.T52904														
	Rated Voltage and Frequency:		<table border="1"> <tr> <th>Model No.</th> <th colspan="2">Voltage &amp; Frequency</th> </tr> <tr> <td>C7012C1059</td> <td colspan="2">120V 50-60Hz</td> </tr> <tr> <td>C7012F1060</td> <td colspan="2">120V 50-60Hz</td> </tr> </table>						Model No.	Voltage & Frequency		C7012C1059	120V 50-60Hz		C7012F1060	120V 50-60Hz	
	Model No.	Voltage & Frequency															
	C7012C1059	120V 50-60Hz															
	C7012F1060	120V 50-60Hz															
	Note:		C7012C is without shutter, C7012F shutter enclosed in 120V rating models only.														
	Note:		Model number with suffix letter D or T is sub-standard models with the followings. ---D; Data attached ---T; With varnish coated PWB														
Power Consumption:		C7012C1059: 2.5W max. (at 50/60Hz) C7012F1060: 7.0W max. (at 50/60Hz)															
Storage Temperature:		-51°C to +80°C															
Allowable Ambient Temperature:		<table border="1"> <tr> <th>Model No.</th> <th>Minimum Temp.</th> <th>Maximum Temp.</th> </tr> <tr> <td>C7012C1059</td> <td>-5°C</td> <td>+70°C</td> </tr> <tr> <td>C7012F1060</td> <td>-29°C</td> <td>+70°C</td> </tr> </table>						Model No.	Minimum Temp.	Maximum Temp.	C7012C1059	-5°C	+70°C	C7012F1060	-29°C	+70°C	
Model No.	Minimum Temp.	Maximum Temp.															
C7012C1059	-5°C	+70°C															
C7012F1060	-29°C	+70°C															
16	ECOP10-1943	9-25-10	F. M.	T. Y.													
15	ECOP09-0624	3-31-09	Futamura	Yamada													
14	ECOP09-0198	3-3-09	Mori	Yamada	作成 DR.		尺度 SCALE	記入のない公差 TOL.UNLESS NOTED									
13	JE006-0176	2-3-06	Harada	Futamura	Y.M	~	~	~									
12	JE004-0698	9-9-04	Harada	Yamada	検図 CHK	形番 MODEL C7012C1059, C7012F1060											
11	JE003-0097	1-30-03	Harada	Kadoya	S.S	名称 NAME Solid State Explosion-proof Ultravision											
3	16	10	JE099-0838	10-15-99	Yamada	認可 APPD	K.T										
2	16	09	JE099-0071	1-26-99	Harada	Yamada	日付 DATE	図番 NO. AD1608E	改番 REV 16	1/3							
頁	改番	改番	来歴	日付	担当	検閲	日付 DATE	図番 NO.	改番 REV								
PAGE REV.	REV.	REV.	RECORD	DATE	BY	APPD.	8-4-93	NO.	16	1/3							

SP. NO.	Yamatake Corporation					製品仕様書 SPECIFICATIONS					
		<p>Mounting: Terminal</p> <p>box should be in bottom using R1 (Sighting Pipe) and M8 Screws on the front surface.</p> <p>Pressure-resistance of Quarts Glass: 690kPa</p> <p>Cable Entries: Cable glands, or thread joint steel conduit type.</p> <p>Interlock: Interlock switch being enclosed opens if the cover is opened.</p> <p>Mass: 9.5kg</p> <p>Color: Violet (Equivalent to 2RP 3.4/6.8)</p> <p>Part No. of Cable Glands used with: 188900A (Must be used)</p> <p>Adaptable outer diameter of connecting cable is from 8.9 mm to 12.0 mm</p> <p>Adaptable Cables or Wires: For control (Power line, Shutter line (Only C7012F1060)) With Cable Glands: 1.25mm<sup>2</sup> 5-core, 2mm<sup>2</sup> 4-core or thinner polyester Insulated CV, CCV, CEE and CEV. At less than +60°C operating temperature, vinyl coated CVV is also applicable. Acceptable outer diameter of connecting cable is from 8.9 mm to 12.0 mm With Conduit: 2mm<sup>2</sup> IV. For signal (F/G (Flame signal)) Must be used with Cable Glands. RG11/U or 7C2V</p> <p>Accessories: Hook spanner, M3 hex. Socket screw key.</p>									
						作成 DR. Y.M		尺度 SCALE ~	記入のない公差 TOL.UNLESS NOTED ~		
	16	ECOP10-1943	9-25-10	F. M.	T. Y.	検図 CHK S.S	形番 MODEL	C7012C1059, C7012F1060			
	15	ECOP09-0624	3-31-09	Futamura	Yamada	認可 APPD K.T	名称 NAME	Solid State Explosion-proof Ultravision			
	09	JE099-0071	1-26-99	Harada	Yamada	日付 DATE 8-4-93	図番 NO.	AD1608E		改番 REV 16	2/3
頁 PAGE	改番 REV.	改番 REV.	来歴 RECORD	日付 DATE	担当 BY	検閲 APPD.					



\*Having no shutter, C7012C requires no wiring to terminal ③ and ④

16	ECOP10-1943	9.25.'10	M.F.	T.Y.
14	ECOP09-0198	3.3.'09	R.Mori	T.Yamada
07	JE096-0089	2.19.'96	I.W	Y.N
06	JE095-0412	9.14.'95	I.W	Y.N
05	Redrawn	7.21.'93	M.A	M.O
04	Changed Specs	7.1.'93	I.S	M.O
3	Drawing Changed	Oct.12.'83	A.S	M.O
2	Added dimensions. Redraw	Aug.19.'81	Y.S	M.O
改番 REV.	来歴 RECORD	日付 DATE	担当 BY	検閲 APPD.

作成DR. M.Ariji 7.26.'93	検図CHK. M.Ogido 7.26.'93	認可APPD K.Murata 7.26.'93	日付DATE 2.19.'96	形番 MODEL C7012C・F	名称 SOLID STATE EXPLOSION-PROOF NAME ULTRAVISION	図番 NO. AD1608E	改番REV. 16 / 3
------------------------------	-------------------------------	--------------------------------	--------------------	-------------------------	-------------------------------------------------------	----------------------	------------------

SP.NO.

# Yamatake Corporation

## 製品仕様書 SPECIFICATIONS

### Terms and Conditions

We would like to express our appreciation for your purchase and use of Yamatake products.

You are required to acknowledge and agree upon the following terms and conditions for your purchase of Yamatake products (field instruments, control valves, and control products), unless otherwise stated in any separate document, including, without limitation, estimation sheets, written agreements, catalogs, specifications and instruction manuals.

#### 1 Warranty period and warranty scope

##### 1.1 Warranty period

Yamatake products shall be warranted for one (1) year from the date of your purchase of the said products or the delivery of the said products to a place designated by you.

##### 1.2 Warranty scope

In the event that Yamatake product has any failure attributable to Yamatake during the aforementioned warranty period, Yamatake shall, without charge, deliver a replacement for the said product to the place where you purchased, or repair the said product and deliver it to the aforementioned place.

Notwithstanding the foregoing, any failure falling under one of the following shall not be covered under this warranty:

- (1) Failure caused by your improper use of Yamatake product  
(noncompliance with conditions, environment of use, precautions, etc. set forth in catalogs, specifications, instruction manuals, etc.);
- (2) Failure caused for other reasons than Yamatake product;
- (3) Failure caused by any modification or repair made by any person other than Yamatake or Yamatake's subcontractors;
- (4) Failure caused by your use of Yamatake product in a manner not conforming to the intended usage of that product;
- (5) Failure that the state-of-the-art at the time of Yamatake's shipment did not allow Yamatake to predict; or
- (6) Failure that arose from any reason not attributable to Yamatake, including, without limitation, acts of God, disasters, and actions taken by a third party.

Please note that the term "warranty" as used herein refers to equipment-only-warranty, and Yamatake shall not be liable for any damages, including direct, indirect, special, incidental or consequential damages in connection with or arising out of Yamatake products.

#### 2 Ascertainment of suitability

You are required to ascertain the suitability of Yamatake product in case of your use of the same with your machinery, equipment, etc. (hereinafter referred to as "Equipment") on your own responsibility, taking the following matters into consideration:

- (1) Regulations and standards or laws that your Equipment is to comply with.
- (2) Examples of application described in any documents provided by Yamatake are for your reference purpose only, and you are required to check the functions and safety of your Equipment prior to your use.
- (3) Measures to be taken to secure the required level of the reliability and safety of your Equipment in your use

Although Yamatake is constantly making efforts to improve the quality and reliability of Yamatake products, there exists a possibility that parts and machinery may break down.

You are required to provide your Equipment with fool-proof design, fail-safe design, anti-flame propagation design, safety design, or the like so that the said Equipment may satisfy the level of the reliability and safety required in your use, whereby preventing any occurrence of physical injuries, fires, significant damage, and so forth.

#### 3 Precautions and restrictions on application

Yamatake products other than those explicitly specified as applicable (e.g. Yamatake Limit Switch For Nuclear Energy) shall not be used in a nuclear energy controlled area (radiation controlled area).

Any Yamatake products shall not be used for/with medical equipment.

In addition,

you are required to conduct a consultation with our sales representative and understand detail specifications, cautions for operation, and so forth by reference to catalogs, specifications, instruction manual, etc. in case that you intend to use Yamatake product for any purposes specified in (1) through (6) below.

Moreover, you are required to provide your Equipment with fool-proof design, fail-safe design, anti-flame propagation design and other designs of protection/safety circuit on your own responsibility to ensure the reliability and safety, whereby preventing problems caused by failure or nonconformity.

- (1) For use under such conditions or in such environments as not stated in technical documents, including catalogs, specification, and instruction manuals
- (2) For use of specific purposes, such as:
  - \* Nuclear energy/radiation related facilities  
[For use outside nuclear energy controlled areas]  
[For use of Yamatake Limit Switch For Nuclear Energy]
  - \* Machinery or equipment for space/sea bottom
  - \* Transportation equipment  
[Railway, aircraft, vessels, vehicle equipment, etc.]
  - \* Antidisaster/crime-prevention equipment
  - \* Burning appliances
  - \* Electrothermal equipment
  - \* Amusement facilities

SP.NO.		Yamatake Corporation		製品仕様書 SPECIFICATIONS	
		<p>(3) Supply systems such as electricity/gas/water supply systems, large-scale communication systems, and traffic/air traffic control systems requiring high reliability</p> <p>(4) Facilities that are to comply with regulations of governmental/public agencies or specific industries</p> <p>(5) Machinery or equipment that may affect human lives, human bodies or properties</p> <p>(6) Other machinery or equipment equivalent to those set forth in items (1) to (5) above which require high reliability and safety</p>			
		<p><b>4 Precautions against long-term use</b></p> <p>Use of Yamatake products, including switches, which contain electronic components, over a prolonged period may degrade insulation or increase contact-resistance and may result in heat generation or any other similar problem causing such product or switch to develop safety hazards such as smoking, ignition, and electrification.</p> <p>Although acceleration of the above situation varies depending on the conditions or environment of use of the products, you are required not to use any Yamatake products for a period exceeding ten (10) years unless otherwise stated in specifications or instruction manuals.</p>			
		<p><b>5 Recommendation for renewal</b></p> <p>Mechanical components, such as relays and switches, used for Yamatake products will reach the end of their life due to wear by repetitious open/close operations.</p> <p>In addition, electronic components such as electrolytic capacitors will reach the end of their life due to aged deterioration based on the conditions or environment in which such electronic components are used.</p> <p>Although acceleration of the above situation varies depending on the conditions or environment of use, the number of open/close operations of relays, etc. as prescribed in specifications or instruction manuals, or depending on the design margin of your machine or equipment, you are required to renew any Yamatake products every 5 to 10 years unless otherwise specified in specifications or instruction manuals.</p> <p>Field instruments (sensors such as pressure/flow/level sensors, regulating valves, etc.) will reach the end of their life due to aged deterioration of parts.</p> <p>For those parts that will reach the end of their life due to aged deterioration, recommended replacement cycles are prescribed. You are required to replace parts based on such recommended replacement cycles.</p>			
		<p><b>6 Other precautions</b></p> <p>Prior to your use of Yamatake products, you are required to understand and comply with specifications (e.g., conditions and environment of use), precautions, warnings/cautions/notices as set forth in the technical documents prepared for individual Yamatake products, such as catalogs, specifications, and instruction manuals to ensure the quality, reliability, and safety of those products.</p>			
		<p><b>7 Changes to specifications</b></p> <p>Please note that the descriptions contained in any documents provided by Yamatake are subject to change without notice for improvement or for any other reason.</p> <p>For inquires or information on specifications as you may need to check, please contact our branch offices or sales offices, or your local sales agents.</p>			
		<p><b>8 Discontinuance of the supply of products/parts</b></p> <p>Please note that the production of any Yamatake product may be discontinued without notice.</p> <p>For repairable products, we will, in principle, undertake repairs for five (5) years after the discontinuance of those products. In some cases, however, we cannot undertake such repairs for reasons, such as the absence of repair parts.</p> <p>For field instruments, we may not be able to undertake parts replacement for similar reasons.</p>			
		<p><b>9 Scope of services</b></p> <p>Prices of Yamatake products do not include any charges for services such as engineer dispatch service. Accordingly, a separate fee will be charged in any of the following cases:</p> <p>(1) Installation, adjustment, guidance, and attendance at a test run</p> <p>(2) Maintenance, inspection, adjustment, and repair</p> <p>(3) Technical guidance and technical education</p> <p>(4) Special test or special inspection of a product under the conditions specified by you</p> <p>Please note that we cannot provide any services as set forth above in a nuclear energy controlled area (radiation controlled area) or at a place where the level of exposure to radiation is equivalent to that in a nuclear energy controlled area.</p>			
頁	改番	改番	来歴	日付	担当
	REV.		RECORD	DATE	BY
					検閲
					APPD.